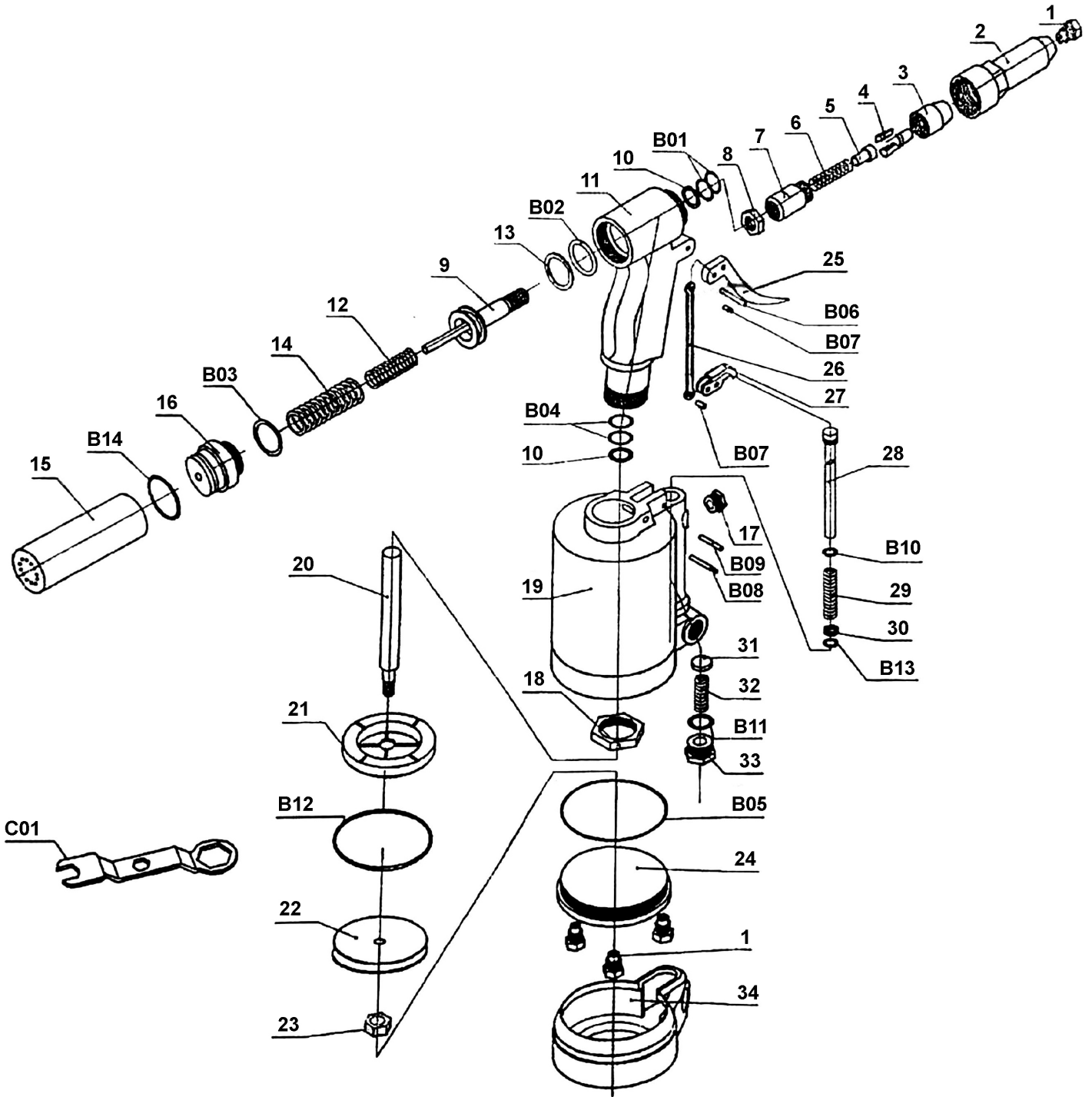




Parts Information:
Air Riveter 3/16" Steel Aluminium &
Stainless Steel Rivets
Model No: SA31.V3 & SA312.V2



NOTE: It is our policy to continually improve products and as such we reserve the right to alter data, specifications and component parts without prior notice. There may be alternative versions of this product, please contact us should you require this information.

IMPORTANT: No liability is accepted for incorrect use of product. Spare parts must be fitted by a competent person

WARRANTY: Guarantee is 12 months from purchase date, proof of which will be required for any claim.

Sealey Group, Kempson Way, Suffolk Business Park, Bury St Edmunds, Suffolk. IP32 7AR



01284 757500



01284 703534



sales@sealey.co.uk



www.sealey.co.uk



Parts Information:
**Air Riveter 3/16" Steel Aluminium &
 Stainless Steel Rivets**
Model No: SA31.V3 & SA312.V2

Item	Part No.	Description
1	SA312.V2-01A	Nosepiece 3/32"
--	SA312.V2-01B	Nosepiece 1/8"
--	SA312.V2-01C	Nosepiece 5/32"
--	SA312.V2-01D	Nosepiece 3/16"
2	SA314.V5-02	Cylinder Head
3	SA314.V5-03	Jaw Carrier
4	SA314.V5-04	Jaw
5	SA314.V5-05	Jaw Pusher
6	SA314.V5-06	Jaw Pusher Spring
7	SA314.V5-07	Jaw Cylinder
8	SA314.V5-08	Case Lock Nut
9	SA314.V5-09	Shaft Axis
10	SA314.V5-10	Plastic Ring
11	SA31.V3-11	Handle (for SA31.V3 only)
--	SA312.V2-11	Handle (for SA312.V2 only)
12	SA314.V5-12	Spring
13	SA314.V5-13	Plastic Ring
14	SA314.V5-14	Spring
15	SA314.V5-15	Bottle
16	SA314.V5-16	Frame Cap
17	SA312.V2-17	Silencer
18	SA314.V5-18	Frame Lock Nut
19	SA31.V3-19	Air Cylinder (for SA31.V3 only)
--	SA312.V2-19	Air Cylinder (for SA312.V2 only)
20	SA314.V5-20	Air Piston Stem
21	SA312.V2-21	Air Piston Cushion
22	SA312.V2-22	Air Piston
23	SA314.V5-23	Air Piston Lock Nut

Item	Part No.	Description
24	SA31.V3-24	Air Cylinder Cap (for SA31.V3 only)
--	SA312.V2-24	Air Cylinder Cap (for SA312.V2 only)
25	SA314.V5-25	Trigger
26	SA314.V5-26	Trigger Rod
27	SA312.V2-27	Trigger Lever
28	SA314.V5-28	Valve Pusher
29	SA314.V5-29	Valve Pusher Spring
30	SA314.V5-30	Copper Washer
31	SA314.V5-31	Valve Collar
32	SA314.V5-32	Valve Collar Spring
33	SA314.V5-33	Valve Collar Nut
34	SA31.V3-34	Base Cover (for SA31.V3 only)
--	SA312.V2-34	Base Cover (for SA312.V2 only)
B01	SA314.V5-B01	O-Ring
B02	SA314.V5-B02	O-Ring
B03	SA314.V5-B03	O-Ring
B04	SA314.V5-B04	O-Ring
B05	SA312.V2-B05	O-Ring
B06	SA314.V5-B06	Spring Pin
B07	SA314.V5-B07	Spring Pin
B08	SA314.V5-B08	Trigger Pin
B09	SA314.V5-B09	O-Ring
B10	SA314.V5-B10	O-Ring
B11	SA314.V5-B11	O-Ring
B12	SA312.V2-B12	O-Ring
B13	SA314.V5-B13	O-Ring
B14	SA314.V5-B14	O-Ring
C01	SA314.V5-C01	Spanner

NOTE: It is our policy to continually improve products and as such we reserve the right to alter data, specifications and component parts without prior notice. There may be alternative versions of this product, please contact us should you require this information.

IMPORTANT: No liability is accepted for incorrect use of product. Spare parts must be fitted by a competent person

WARRANTY: Guarantee is 12 months from purchase date, proof of which will be required for any claim.

Sealey Group, Kempson Way, Suffolk Business Park, Bury St Edmunds, Suffolk. IP32 7AR



01284 757500



01284 703534



sales@sealey.co.uk



www.sealey.co.uk