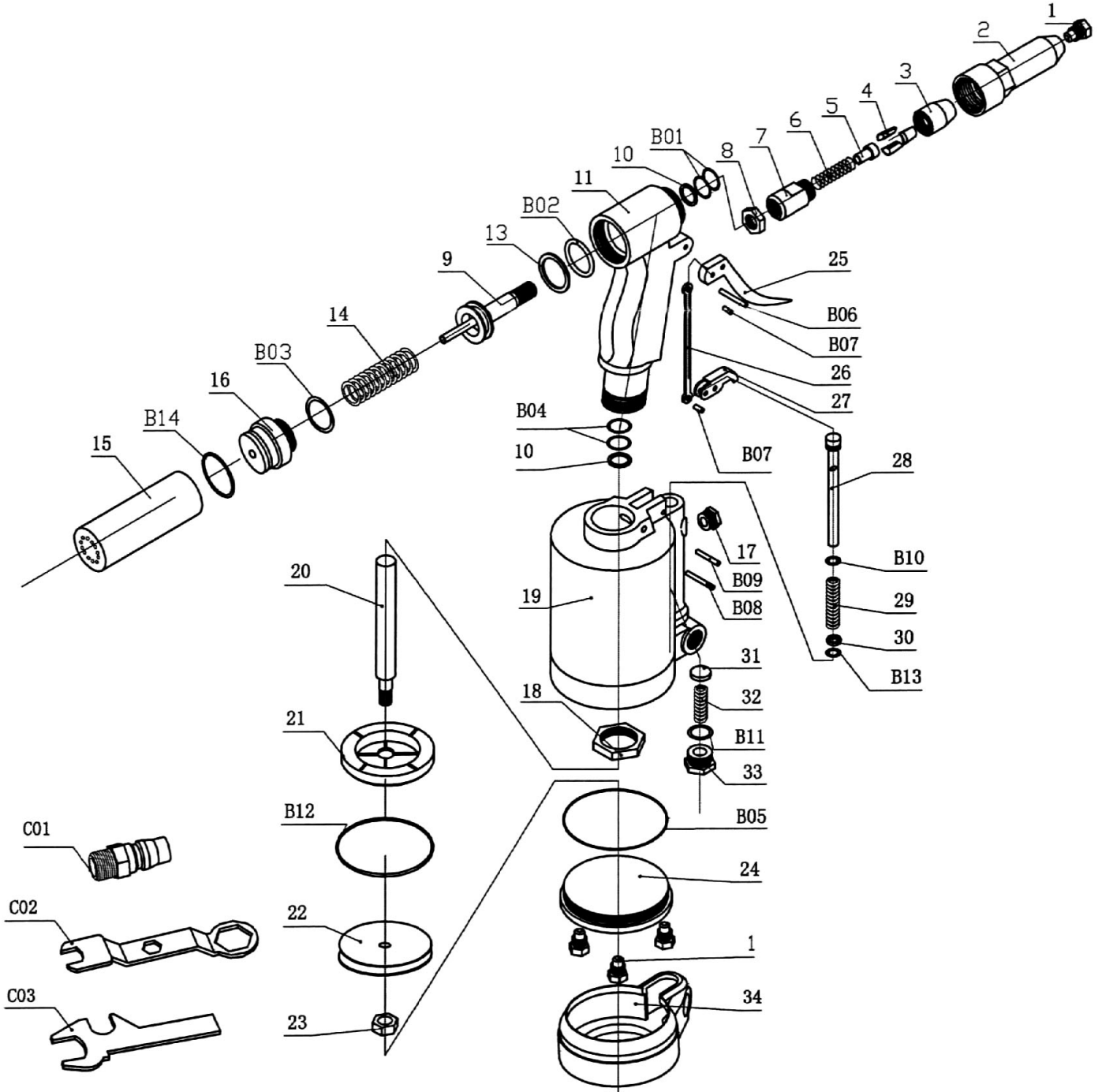




Parts Information:
Air Riveter 1/4" Steel Aluminium &
Stainless Steel Rivets
Model No: SA314.V2



NOTE: It is our policy to continually improve products and as such we reserve the right to alter data, specifications and component parts without prior notice.

IMPORTANT: No liability is accepted for incorrect use of product.

WARRANTY: Guarantee is 12 months from purchase date, proof of which will be required for any claim.

Sealey Group, Kempson Way, Suffolk Business Park, Bury St Edmunds, Suffolk. IP32 7AR



01284 757500



01284 703534



sales@sealey.co.uk



www.sealey.co.uk



Parts Information:
**Air Riveter 1/4" Steel Aluminium &
 Stainless Steel Rivets**
Model No: SA314.V2

Item	Part No.	Description
1	SA314.V2-01	Nose Piece 4.0mm (5/32")
	SA314.V2-01.1	Nose Piece 4.8mm (3/16")
	SA314.V2-01.2	Nose Piece 6.4mm (1/4")
	SA314.V2-01.3	Nose Piece 2.4mm (3/32")
	SA314.V2-01.4	Nose Piece 3.2mm (1/8")
2	SA314.V2-02	Cylinder
3	SA314.V2-03	Jaw Carrier
4	SA314.V2-04	Jaws (1set = 3pcs)
5	SA314.V2-05	Jaw Pusher
6	SA314.V2-06	Jaw Pusher Spring
7	SA314.V2-07	Jaw Cylinder
8	SA314.V2-08	Lock Nut
9	SA314.V3-09	Axis Complete (Includes Part 12)
10	SA314.V4-11	Seal
11	SA314.V2-11	Handle
--	SA314.V2-12	Do Not Use (Axis) (NOT SHOWN)
13	SA314.V2-13	Ring
14	SA314.V2-14	Spring
15	SA314.V2-15	Bottle
16	SA314.V2-16	Lid
17	SA314.V2-17	Exhaust Filter
18	SA314.V2-18	Lock Nut
19	SA314.V2-19	Cylinder
20	SA314.V2-20	Piston
21	SA314.V2-21	Cushion
22	SA314.V2-22	Piston
23	SN8.S	Steel Nut M8 Zinc Din934 (Single)
24	SA314.V2-24	Cylinder Lid
25	SA314.V2-25	Trigger

Item	Part No.	Description
26	SA314.V2-26	Link
27	SA314.V2-27	Connector
28	SA314.V2-28	Air Valve
29	SA314.V2-29	Valve Spring
30	SA314.V2-30	Copper Washer Thick M6
31	SA314.V2-31	Valve Collar
32	SA314.V2-32	Spring
33	SA314.V2-33	Hex Head Nut
34	SA314.V2-34	Base Cover
--	SA314.V2-35	Connector (NOT SHOWN)
B01	SA314.V2-B01	O-Ring
B02	SA314.V2-B02	O-Ring
B03	SA314.V2-B03	O-Ring
B04	SA314.V2-B01	O-Ring
B05	SA314.V2-B05	O-Ring
B06	SA314.V2-B06	Trigger Pin 3x22
B07	SA314.V2-B07	Lever Pin 3x69
B08	SA314.V2-B08	Spring Pin
B09	SA314.V2-B09	Spring Pin
B10	SA314.V2-B10	O-Ring
B11	SA314.V2-B11	O-Ring
B12	SA314.V2-B12	O-Ring
B13	SA314.V2-B13	O-Ring
B14	SA314.V2-B14	O-Ring
--	SA314.V2-B15	O-Ring (NOT SHOWN)
C01	SA314.V2-C01	Air Valve
C02	SA314.V2C01-1	Wrench
C03	SA314.V2C01-2	Wrench

NOTE: It is our policy to continually improve products and as such we reserve the right to alter data, specifications and component parts without prior notice.

IMPORTANT: No liability is accepted for incorrect use of product.

WARRANTY: Guarantee is 12 months from purchase date, proof of which will be required for any claim.

Sealey Group, Kempson Way, Suffolk Business Park, Bury St Edmunds, Suffolk. IP32 7AR



01284 757500



01284 703534



sales@sealey.co.uk



www.sealey.co.uk