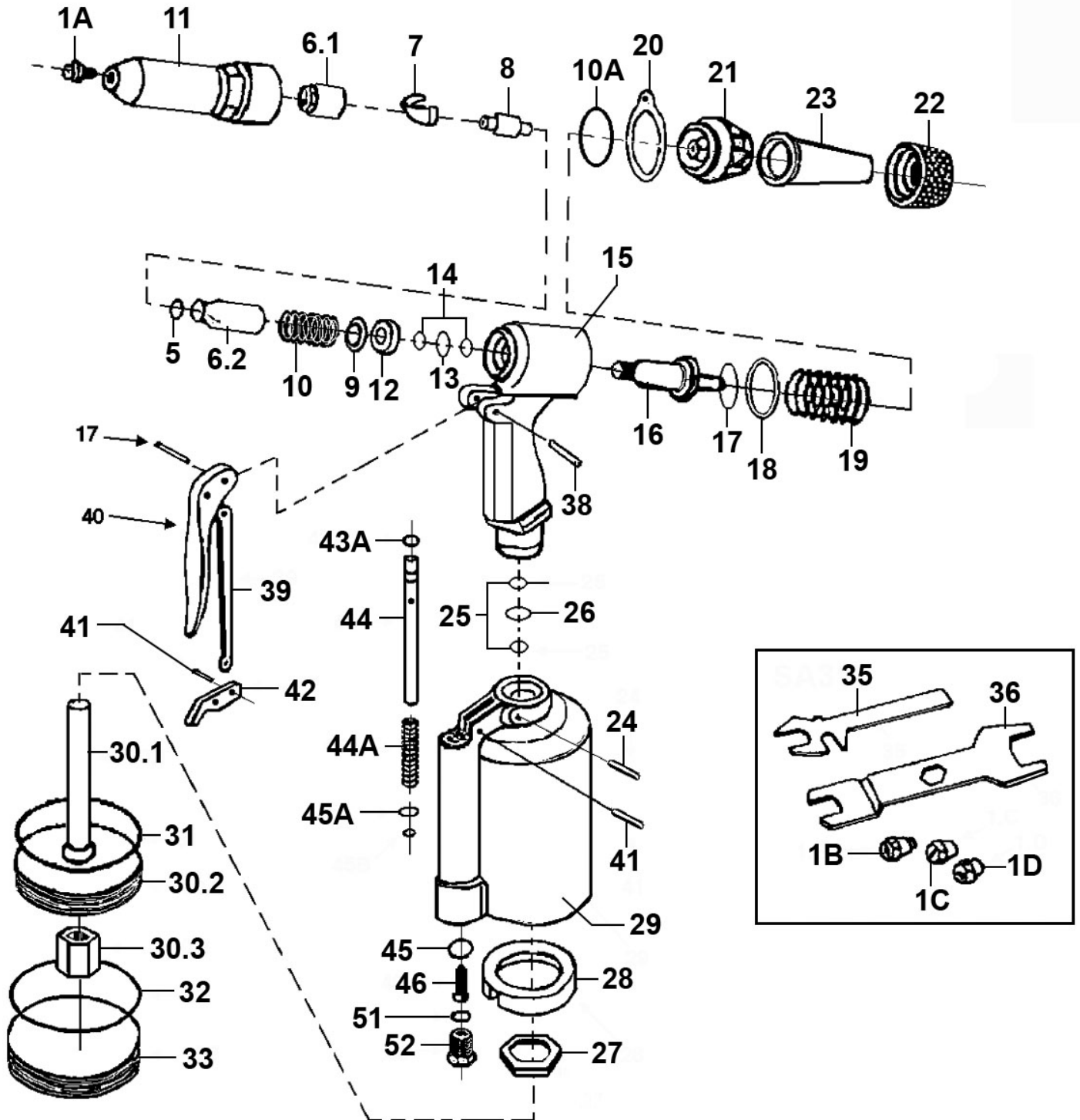




Parts Information:  
Air Riveter 3/16" Steel Aluminium &  
Stainless Steel Rivets  
Model No: SA312



**NOTE:** It is our policy to continually improve products and as such we reserve the right to alter data, specifications and component parts without prior notice. There may be alternative versions of this product, please contact us should you require this information.

**IMPORTANT:** No liability is accepted for incorrect use of product. Spare parts must be fitted by a competent person

**WARRANTY:** Guarantee is 12 months from purchase date, proof of which will be required for any claim.

Sealey Group, Kempson Way, Suffolk Business Park, Bury St Edmunds, Suffolk. IP32 7AR



01284 757500



01284 703534



sales@sealey.co.uk



www.sealey.co.uk



Parts Information:  
**Air Riveter 3/16" Steel Aluminium &  
 Stainless Steel Rivets**  
**Model No: SA312**

Item	Part No.	Description
1A	SA312/01A	Nosepiece, 3/16"
1B	SA312/01B	Nosepiece, 5/32"
1C	SA312/01C	Nosepiece, 1/8"
1D	SA312/01D	Nosepiece, 3/32"
5	SA312/05	O-ring, (Ex: 13.19 In: 10.96 Cs: 1.12)
6-1	SA312/06-1	Jaw Case Front
6-2	SA312/06-2	Jaw Case Rear
7	SA312/07	Jaw (Set Of 2)
8	SA312/08	Pusher, Jaw
9	SA314/09	Int Tooth Washer, Case
10	SA312/10	Spring, Jaw Pusher Dia 8.8mm
10A	SA314/10A	O-ring, (Ex: 31.86 In: 28.30 Cs: 1.78)
11	SA31T/11	Head, Frame
12	SA316.46	Case Lock Nut M10
13	SA314/13	Ring, Back-Up
14	SA314/14	O-Ring, (Ex: 16.39 In: 11.87 Cs: 2.26)
15	SA312/15	Frame
16	SA312/16	Piston, Oil
17	SA312/17	O-Ring, (P22a), (Ex: 28.88 In: 21.82 Cs: 3.53)
18	SA312/18	Back Up Ring
19	SA312/19	Return Spring Dia 16.6mm
20	SA312/20	Hanging Clip
21	SA312/21	Frame Cap
22	SA312/22	Frame Cap Nut
23	SA312/23	Cap, Safety
24	SA312/24	Pin
25	SA314/25	O-Ring, (Ex: 16.70 In: 11.86 Cs: 2.42)

Item	Part No.	Description
26	SA314/13	Ring, Back-Up
27	SA31/22	Frame Lock-Nut
28	SA314/28	Rubber Ring
29	SA312/29	Cylinder, Air
30	SA312/30	Piston Assembly
31	SA312/31	O-Ring, (Ex: 70.35 In: 59.69 Cs: 5.33)
32	SA312/32	O-Ring, (Ex: 74.76 In: 69.52 Cs: 2.62)
33	SA312/33	Cylinder Cap
35	SA312/35	Gauge, Spanner
36	SA312/36	Spanner
37	SA314/37	Spring Pin M2.8 X 6
38	SA312/38	Connector
39	SA312/39	Trigger Rod
40	SA312/40	Trigger
41	SA314/41	Spring Pin M3 X 6
42	SA314/42	Lever, Trigger
43	SA312/43	Pin
43-A	GSA08.09-4	O-Ring, (Ex: 11.21 In: 7.65 Cs: 1.78)
44	SA312/44	Pusher, Valve
44-A	SA312/44A	Valve Spring Dia 9.55mm
45	SA314/45	Valve
45-A	SA314/45A	Collar, Valve
45-B	SA77S.V4-19	O-Ring, (Ex: 8.03 In: 4.47 Cs: 1.78)
46	SA314/46	Spring Dia 8.9mm
51	SA314/14	O-Ring, Valve Cap
52	SA314/52	Cap, valve

**NOTE:** It is our policy to continually improve products and as such we reserve the right to alter data, specifications and component parts without prior notice. There may be alternative versions of this product, please contact us should you require this information.

**IMPORTANT:** No liability is accepted for incorrect use of product. Spare parts must be fitted by a competent person

**WARRANTY:** Guarantee is 12 months from purchase date, proof of which will be required for any claim.

**Sealey Group**, Kempson Way, Suffolk Business Park, Bury St Edmunds, Suffolk. IP32 7AR



01284 757500



01284 703534



sales@sealey.co.uk



www.sealey.co.uk