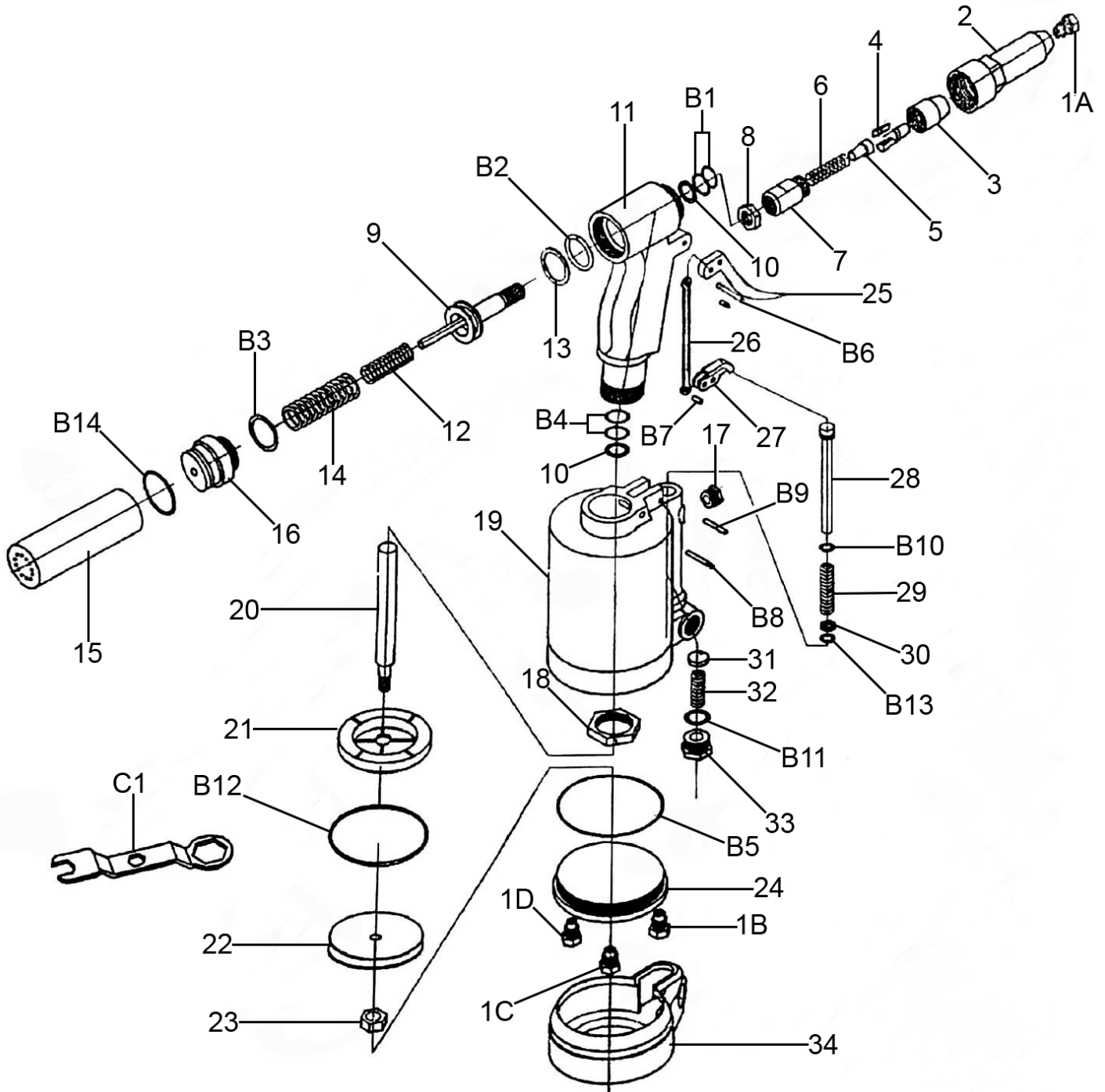




Parts Information:
**Air/Hydraulic Riveter 3/16" Steel
Aluminium & Stainless Steel Rivets
Model No: SA31.V3**



NOTE: It is our policy to continually improve products and as such we reserve the right to alter data, specifications and component parts without prior notice. There may be alternative versions of this product, please contact us should you require this information.

IMPORTANT: No liability is accepted for incorrect use of product. Spare parts must be fitted by a competent person

WARRANTY: Guarantee is 12 months from purchase date, proof of which will be required for any claim.

Sealey Group, Kempson Way, Suffolk Business Park, Bury St Edmunds, Suffolk. IP32 7AR



01284 757500



01284 703534



sales@sealey.co.uk



www.sealey.co.uk



Parts Information:
**Air/Hydraulic Riveter 3/16" Steel
Aluminium & Stainless Steel Rivets
Model No: SA31.V3**

Item	Part No.	Description
1A	SA314.V5-01A	Nosepiece 3/32"
1B	SA314.V5-01B	Nosepiece 1/8"
1C	SA314.V5-01C	Nosepiece 5/32"
1D	SA314.V5-01D	Nosepiece 3/16"
2	SA314.V5-02	Cylinder Head
3	SA314.V5-03	Jaw Carrier
4	SA314.V5-04	Jaw (Set Of 3)
5	SA314.V5-05	Jaw Pusher
6	SA314.V5-06	Jaw Pusher Spring Ø 9.2mm
7	SA314.V5-07	Jaw Cylinder
8	SA314.V5-08	Case Lock Nut
9	SA314.V5-09	Shaft Axis
10	SA314.V5-10	Plastic Ring
11	SA31.V3-11	Handle
12	SA314.V5-12	Spring Ø 15.5mm
13	SA314.V5-13	Plastic Ring
14	SA314.V5-14	Spring Ø 22.5mm
15	SA314.V5-15	Bottle
16	SA314.V5-16	Frame Cap
17	SA312.V2-17	Silencer
18	SA314.V5-18	Frame Lock Nut
19	SA31.V3-19	Air Cylinder
20	SA314.V5-20	Air Piston Stem
21	GSA312.05	Piston Cushion
22	SA312.V2-22	Air Piston
23	SA314.V5-23	Air Piston Lock Nut

Item	Part No.	Description
24	SA31.V3-24	Air Cylinder Cap
25	SA314.V5-25	Trigger
26	SA314.V5-26	Trigger Rod
27	SA312.V5-27	Trigger Lever
28	SA314.V5-28	Valve Pusher
29	SA314.V5-29	Valve Pusher Spring Ø 9.2mm
30	SA314.V5-30	Copper Washer
31	SA314.V5-31	Valve Collar
32	SA314.V5-32	Valve Collar Spring Ø 9mm
33	SA314.V5-33	Valve Collar Nut
34	SA31.V3-34	Base Cover
B1	SA314.V5-B01	O-Ring (16.50 x 12.20 x 2.15)
B2	2200HL.V2-P39	O-Ring (28.88 x 21.82 x 3.53)
B3	SA314.V5-B03	O-Ring (26.90 x 23.90 x 1.50)
B4	SA314.V5-B04	O-Ring
B5	SA312.V2-B05	O-Ring (70.14 x 66.33 x 1.91)
B6	SA314.V5-B06	Spring Pin M3.4 x 22mm
B7	SA314.V5-B07	Spring Pin M3.3 x 18mm
B8	SA314.V5-B08	Trigger Pin
B9	SA314.V5-B09	Spring Pin
B10	GSA08.09-4	O-Ring (11.21 x 7.65 x 1.78)
B11	840.V2-M18	O-Ring (15.98 x 12.42 x 1.78)
B12	SA312/31	O-Ring (70.35 x 59.69 x 5.33)
B13	BS107	O-Ring (10.47 x 5.23 x 2.62)
B14	RE91/10.07	O-Ring (36.81 x 29.75 x 3.53)
C1	SA314.V5-C01	Spanner

NOTE: It is our policy to continually improve products and as such we reserve the right to alter data, specifications and component parts without prior notice. There may be alternative versions of this product, please contact us should you require this information.

IMPORTANT: No liability is accepted for incorrect use of product. Spare parts must be fitted by a competent person

WARRANTY: Guarantee is 12 months from purchase date, proof of which will be required for any claim.

Sealey Group, Kempson Way, Suffolk Business Park, Bury St Edmunds, Suffolk. IP32 7AR



01284 757500



01284 703534



sales@sealey.co.uk



www.sealey.co.uk