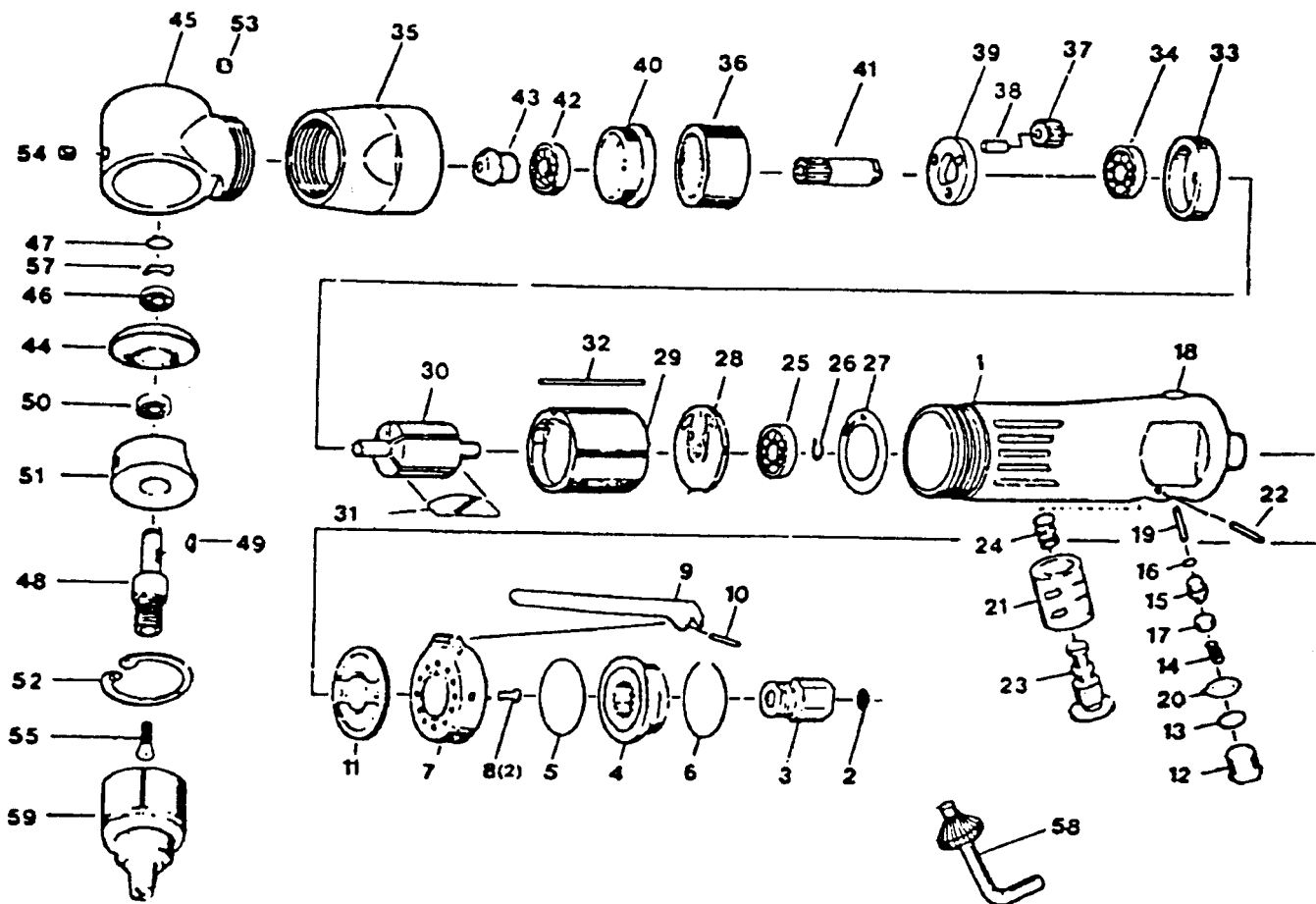


SA26 3/8" AIR DRILL REVERSIBLE ANGLE HEAD



PART No.	DESCRIPTION	QTY
SA26/01	MOTOR HOUSING	1
SA26/02	SCREEN	1
SA26/03	INLET BUSH	1
SA26/04	DEFLECTOR	1
SA26/05	O-RING	1
SA26/06	STOP RING	1
SA26/07	CAP, HOUSING	1
SA26/08	SCREW	2
SA26/09	THROTTLE LEVER	1
SA26/10	SPRING PIN	1
SA26/11	GASKET	1
SA26/12	VALVE SCREW	1
SA26/13	O-RING	1
SA26/14	VALVE SPRING	1
SA26/15	VALVE	1
SA26/16	O-RING	1
SA26/17	O-RING RETAINER	1
SA26/18	VALVE BUSHING	1
SA26/19	VALVE PIN	1
SA26/20	REVERSE RETAINER	1
SA26/21	REVERSE BUSHING	1
SA26/22	SPRING PIN	1
SA26/23	REVERSE VALVE	1
SA26/24	REVERSE SPRING	1
SA26/25	B/626ZZ	1
SA26/26	RETAINER RING	1
SA26/27	GASKET	1
SA26/28	REAR END PLATE	1
SA26/29	CYLINDER	1
SA26/30	ROTOR	1

PART No.	DESCRIPTION	QTY
SA26/31	ROTOR BLADE	5
SA26/32	MOTOR PIN	1
SA26/33	FRONT END PLATE	1
SA26/34	B/608Z	1
SA26/35	LOCK RING	1
SA26/36	INTERNAL GEAR	1
SA26/37	PLANET GEAR	3
SA26/38	PLANET PIN	3
SA26/39	CAGE	1
SA26/40	SPACER	1
SA26/41	GEAR SPINDLE	1
SA26/42	B/6001	1
SA26/43	PINION	1
SA26/44	GEAR	1
SA26/45	ANGLE HOUSING	1
SA26/46	B/626	1
SA26/47	RETAINING RING	1
SA26/48	SPINDLE	1
SA26/49	KEY	1
SA26/50	B/626	1
SA26/51	BEARING CASE	1
SA26/52	RETAINING RING	1
SA26/53	BALL CAP	1
SA26/54	SET SCREW	1
SA26/55	SCREW	1
SA26/57	WAVE WASHER	1
SA26/58	CHUCK KEY	1
SA26/59	CHUCK	1

