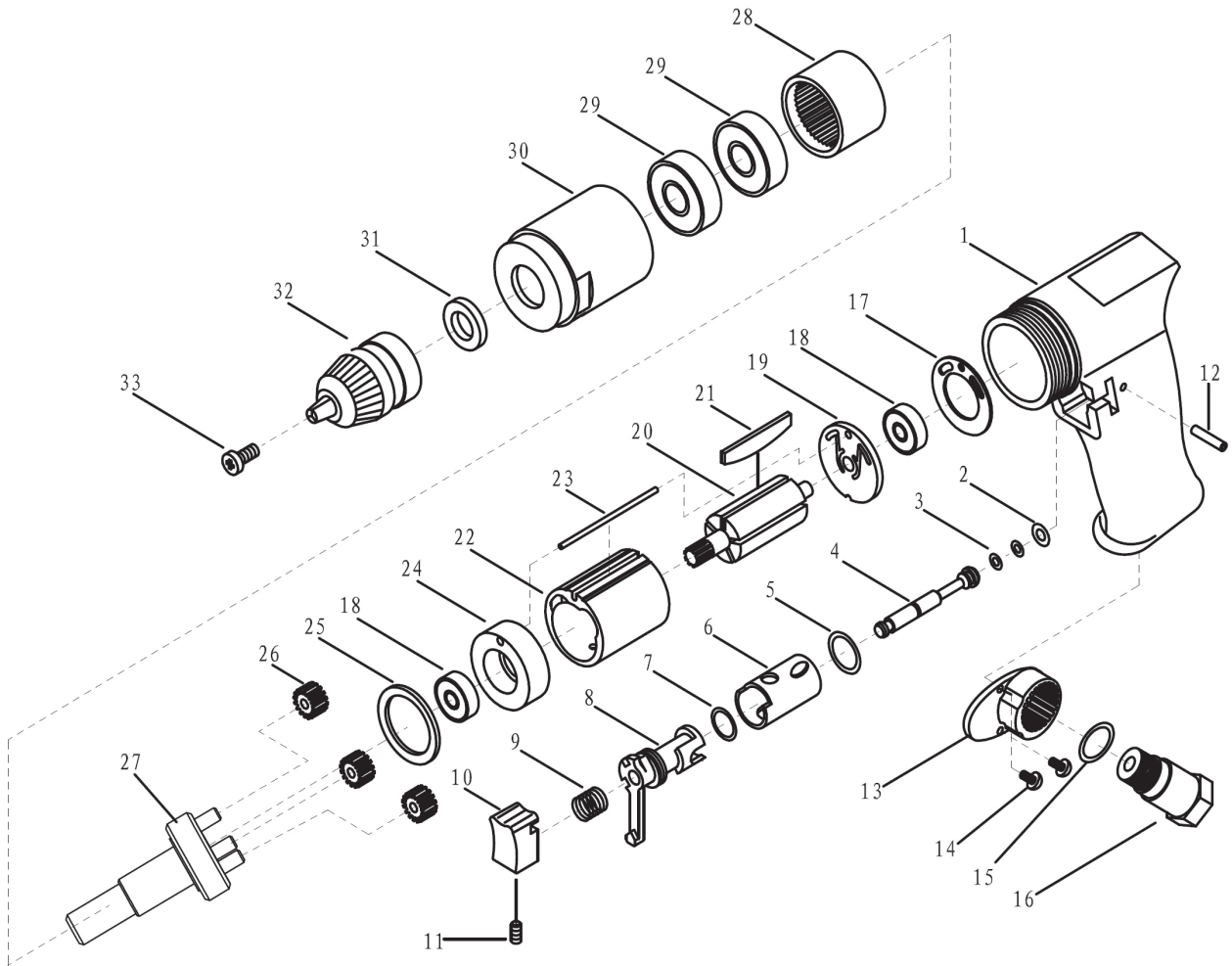


Parts Information:
Air Drill Ø10mm Reversible with Keyless Chuck
Model No: SA241.V2



Item	Part No.	Description
1	SA24.V3-01	Housing
2	SA24.V3-02	O-Ring (4x2mm)
3	SA24.V3-03	O-Ring (4x1mm)
4	SA24.V3-04	Valve Stem
5	SA24.V3-05	O-Ring (13x2.5mm)
6	SA24.V3-06	Regulator Sleeve
7	SA24.V3-07	O-Ring (12.2*1.5mm)
8	SA24.V3-08	Reverse Lever
9	SA24.V3-09	Trigger Spring
10	SA24.V3-10	Trigger
11	GSM48.S	Grub Screw M4x8 (Single)
12	SA24.V3-12	Cotter Pin (2.5*22mm)
13	SA24.V3-13	Muffler Cover
14	SA241.14	Screw (ST2.9*8)
15	SA24.V3-14	O-Ring (10.8*1.6mm)
16	SA24.V3-15	Air Inlet Connector
17	SA24.V3-16	Rear Gasket

Item	Part No.	Description
18	B/626ZZ	Bearing 626ZZ
19	SA24.V3-18	Rear End Plate
20	GSA232.19	Rotor
21	GSA232.20	Rotor Blade
22	SA24.V3-21	Cylinder
23	SA24.V3-22	Pin
24	SA24.V3-23	Front End Plate
25	SA24.V3-24	V-Gasket
26	GSA232.24	Planet Gear
27	GSA232.25	Work Spindle
28	GSA232.26	Gear Ring
29	B/6201ZZ	Bearing 6201ZZ
30	SA24.V3-29	Clamp Nut
31	GSA232.29	Thick Washer M10
32	DC/J-38HC	Drill Chuck Keyless 3/8" x 24UNF Through Hole
33	SA24.V3-32	Chuck Screw (M5x18 L/H)

NOTE: It is our policy to continually improve products and as such we reserve the right to alter data, specifications and component parts without prior notice.

IMPORTANT: No liability is accepted for incorrect use of product. Spare parts must be fitted by a competent person

WARRANTY: Guarantee is 12 months from purchase date, proof of which will be required for any claim.