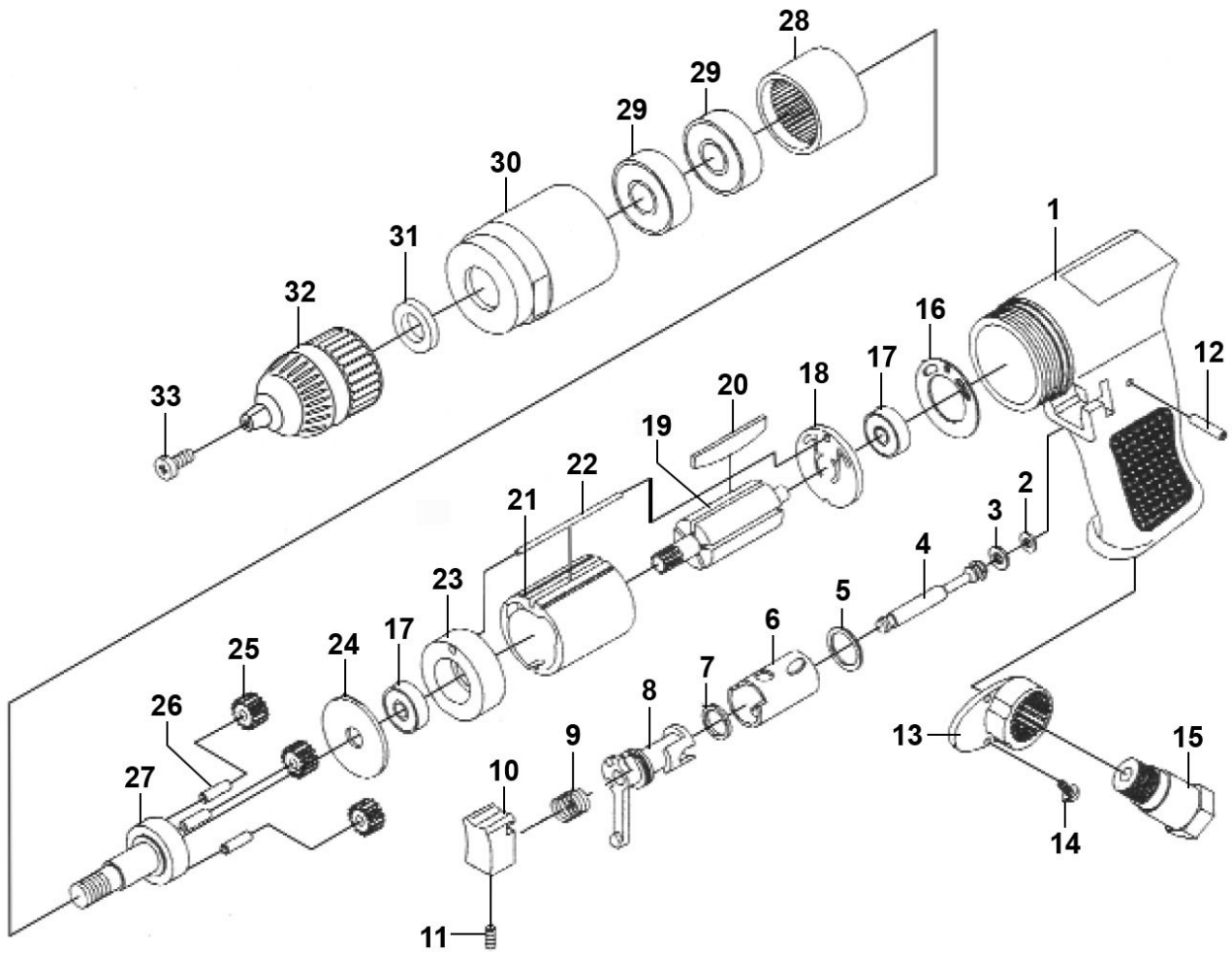


Parts Information:
Air Drill Ø10mm Reversible with Keyless Chuck
Model No: SA241



Item	Part No.	Description
1	SA241.01	Housing
2	SA241.02	O-Ring, (Ex: 5.90 In: 4.30 Cs: 0.80)
3	SA241.03	O-Ring, (Ex: 7.42 In: 3.86 Cs: 1.78)
4	SA241.04	Valve Stem
5	SA241.05	O-Ring, (Ex: 18.25 In: 13.23 Cs: 2.51)
6	SA241.06	Bushing
7	SA241.07	O-Ring, (Ex: 14.71 In: 11.15 Cs: 1.56)
8	SA241.08	Reverse Lever
9	SA241.09	Trigger Spring Dia 9.4mm
10	SA241.10	Trigger
11	GSM48.S	Grub Screw M4x8 (Single)
12	GSA01.05	Spring Pin M2.6 x 22
13	SA241.13	Muffle Cover
14	SA241.14	Screw
15	SA241.15	Air Inlet
16	SA241.16	Rear Gasket
17	B/626ZZ	Bearing 626zz

Item	Part No.	Description
18	SA241.18	End Plate
19	SA241.19	Rotor
20	GSA25.27	Rotor Blade
21	SA241.21	Cylinder
22	SA241.22	Pin
23	SA241.23	Front End Plate
24	SA241.24	Washer
25	SA241.25	Gear
26	SA241.26	Pin
27	SA241.27	Work Spindle
28	SA241.28	Thread Ring Gear
29	B/6201ZZ	Bearing 6201zz
30	SA241.30	Clamp Nut
31	SA241.31	Spacer
32	DC/J-38HC	Drill Chuck Keyless 3/8" x 24UNF Through Hole
33	SA241.33	Countersunk Chuck Screw

NOTE: It is our policy to continually improve products and as such we reserve the right to alter data, specifications and component parts without prior notice. There may be alternative versions of this product, please contact us should you require this information.

IMPORTANT: No liability is accepted for incorrect use of product. Spare parts must be fitted by a competent person

WARRANTY: Guarantee is 12 months from purchase date, proof of which will be required for any claim.