


ITEM	PART NO	DESCRIPTION
1	SH35602950	FILTER COVER
2	SH35602930	FILTER CASING
3	SH37305190	TENSION ROD
4	SH35602940	FILTER CARTRIDGE
5	SH35646460	COMPLETE FILTER
5A	SH37502320	WASHER
5B	SH37302430	SCREW
5C	SH37400450	NUT
5D	SH30502330	GASKET
6	SH31004680	PULLEY
7	SH37400720	NUT - PULLEY
8	SH37500730	WASHER PULLEY
9	SH37300070	BOLT
10	SH37500330	WASHER
11	SH30400890	CRANK SUPPORT CAP
12	SH30500150	GASKET CRANK END CAP
13	SH30300040	OIL SEAL
14	SH30300030	BEARING CRANK B/6205
15	SH31100750	CON ROD COMPLETE
15D	SH37400220	NUT - CON ROD
15C	SH37500310	WASHER - CON ROD
15B	SH37300250	BOLT - CON ROD
15A	SH31100240	BUSH - LITTLE END
16	SH30201000	CRANK SHAFT
17	SH33101160	CRANKCASE
18	SH30500160	GASKET - OIL DRAIN
19	SH36500110	BOLT OIL DRAIN
20	SH30500130	GASKET - OIL VIEW
21	SH36500140	OIL VIEW GLASS
22	SH37300990	HEAD BOLT M8 X 60
23	SH37500400	HEAD WASHER
24	SH31301170	HEAD/CYLINDER
25	SH30501090	GASKET HEAD
26	SH32701030	VALVE PLATE
27	SH30501100	GASKET / VALVE
28	SH32700350	VALVE
29	SH32701030	VALVE PLATE
30	SH30501100	GASKET/CYLINDER/VALVE PLATE
31	SH31601010	CYLINDER / BARREL
32	SH37301140	BOLT - BASE FLANGE
33	SH37500670	WASHER - BASE FLANGE
34	SH31200300	PISTON RING / TOP
35	SH31200290	PISTON RING / MID
36	SH31200280	PISTON RING/BASE
37	SH31200270	PISTON
38	SH31200260	GUDGEON PIN
39	SH37600230	CIRCLIP - PISTON
40	SH31100210	BIG END SHELL
41	SH30501120	BASE GASKET
42	SH3650020A	OIL FILLER BREATHER
43	SH3050016A	OIL FILLER GASKET
44		
45		
46		
47		
48		

ITEM	PART NO	DESCRIPTION
44	SH30300030	BEARING CRANK B/6205
45	SH37300070	BOLT 8 X 22
46	SH37500330	WASHER
47	SH30400830	CRANK SUPPORT END COVER
48	SH30500150	GASKET, CRANK SUPPORT

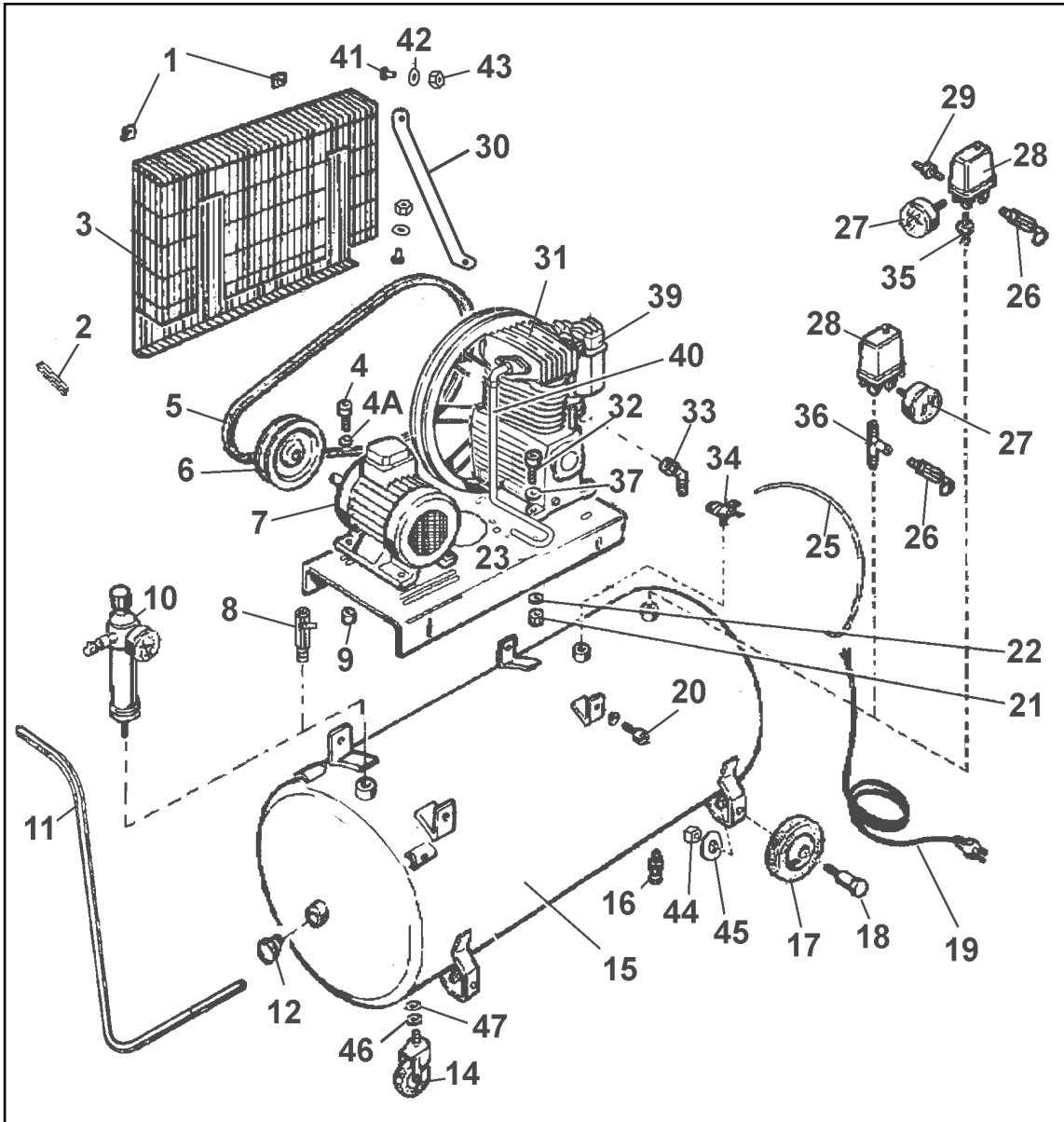
Original Date:- 010999
 Issue Date:- 010999
 Version Nbr:- 0
 Date Modified:- N/A

Sole UK Distributor,
 Sealey Group,
 Bury St. Edmunds, Suffolk.

 01284 757500

 01284 703534

E-mail:
sales@sealey.co.uk



ITEM	PART NO	DESCRIPTION
1	SH13400050	FIXING BLOCK
2	SH13400020	ANTI VIBRATION BAR
3	SH13400060	PULLEY GUARD
4	SH17300590	BOLT (MOTOR FIXING)
4A	SH17500160	WASHER 8X24
5	SH13900320	PULLEY BELT
6	SH13500800	PULLEY Ø130 -SA21 Series
7	SH10701540	MOTOR 3 HP
8	SH15300260	OUTLET TAP 1/2" BSP
9	SH17400080	NUT M8
10	SH13000320	FILTER REG
11	SH14201360	HANDLE
12	SH16901960	2" PLUG
14	SH13200130	WHEEL, CASTOR
15	SH11902980	TANK 100 LTR Model SA2110/3
15	SH11902990	TANK 150 LTR Model SA2115/3
15	SH11903000	TANK 200 LTR Model Sa2120/3
16	SH15300320	BLEED TAP
17	SH13200060	WHEEL
18	SH13200160	WHEEL BOLT
19	SH16600350	MAINS CABLE
20	SH17300300	BOLT M10 X 15
21	SH17400080	NUT 8MA 65
22	SH17500090	WASHER
23	SH14201360	MOUNT PLATE
25	SH14300980	NYLON PIPE
26	SH14400770	SAFETY VALVE
27	SH15000060	GAUGE
28	SH12800270	PRESSURE SWITCH
29	SH13000330	REDUCER UNION 3/8" - 1/4"
30	SH14200460	BRACKET - PULLEY COVER
31	SHK1707610	PUMP K17
32	SH17300250	BOLT M8 X 30
33	SH16900990	UNION 90 DEGREE -1/2" BSP
34	SH14400270	NON RETURN VALVE
35	SH16901980	REDUCER UNION 3/8" - 1/4"
36	SH16901440	UNION
37	SH17500090	WASHER
39	SH35646460	FILTER COMP
40	SH14300560	DELIVERY PIPE
41	SH17300230	BOLT
42	SH17500160	WASHER
43	SH17400080	NUT
44	SH17400100	NUT
45	SH17500110	WASHER
46	SH17400100	NUT
47	SH17500110	WASHER

Original Date:- 010999
Issue Date:- 010999
Version Nbr:- 1
Date Modified:- 181099

Sole UK Distributor,
Sealey Group,
Bury St. Edmunds, Suffolk.

 **01284 757500**

 **01284 703534**

E-mail:
sales@sealey.co.uk