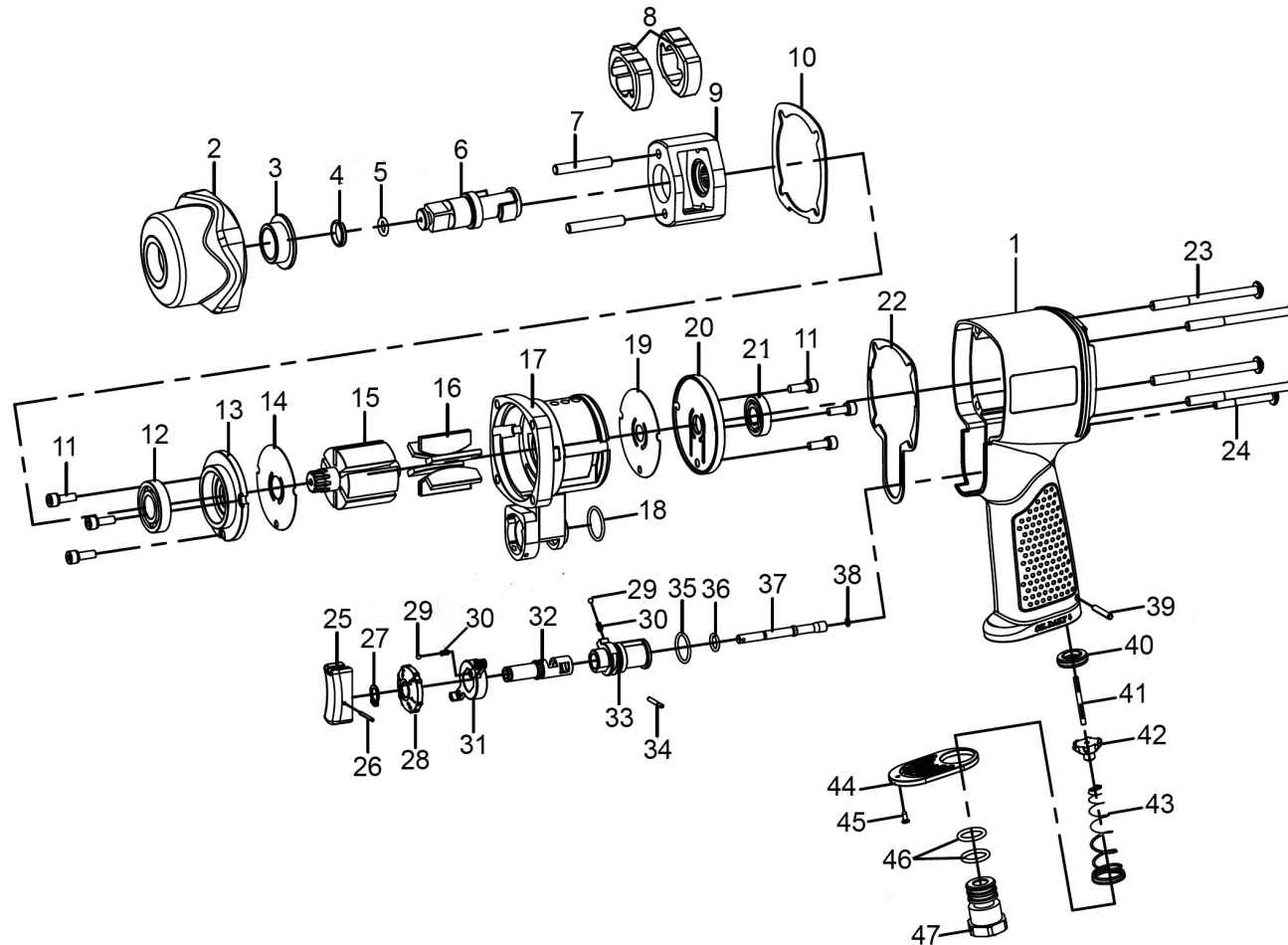




Parts Information:  
**Air Impact Wrench 1/2" Sq Drive Stubby - Twin Hammer**  
**Model No: SA203.V2**



**NOTE:** It is our policy to continually improve products and as such we reserve the right to alter data, specifications and component parts without prior notice.

There may be alternative versions of this product, please contact us should you require this information.

**IMPORTANT:** No liability is accepted for incorrect use of product. Spare parts must be fitted by a competent person

**WARRANTY:** Guarantee is 12 months from purchase date, proof of which will be required for any claim.

Sealey Group, Kempson Way, Suffolk Business Park, Bury St Edmunds, Suffolk. IP32 7AR



01284 757500



01284 703534



sales@sealey.co.uk



www.sealey.co.uk



Parts Information:  
**Air Impact Wrench 1/2" Sq Drive Stubby -  
Twin Hammer**  
**Model No: SA203.V2**

| Item | Part No.    | Description                     |
|------|-------------|---------------------------------|
| 1    | SA203.V2-01 | Housing                         |
| 2    | SA203.V2-02 | Hammer Case                     |
| 3    | SA203.V2-03 | Hammer Case Bushing             |
| 4    | SA203.V2-04 | Socket Retainer                 |
| 5    | SA203.V2-05 | O-Ring                          |
| 6    | SA203.V2-06 | Anvil                           |
| 7    | SA203.V2-07 | Hammer Pin Set                  |
| 8    | SA203.V2-08 | Hammer Dog                      |
| 9    | SA203.V2-09 | Hammer Frame                    |
| 10   | SA203.V2-10 | Front Gasket                    |
| 11   | SCB412.SB   | Socket Cap Bolt M4 x 12mm Black |
| 12   | B/R8        | Bearing                         |
| 13   | SA203.V2-13 | Front End Plate                 |
| 14   | SA203.V2-14 | Front Cover Seal Plate          |
| 15   | SA203.V2-15 | Rotor                           |
| 16   | SA203.V2-16 | Rotor Blade                     |
| 17   | SA203.V2-17 | Cylinder                        |
| 18   | SA203.V2-18 | O-Ring                          |
| 19   | SA203.V2-19 | Rear Cover Seal Plate           |
| 20   | SA203.V2-20 | Rear End Plate                  |
| 21   | B/R6        | Bearing                         |
| 22   | SA203.V2-22 | Rear Gasket                     |
| 23   | SA203.V2-23 | Housing Screw Set M4 x 66mm     |
| 24   | SA203.V2-24 | Housing Screw M4 x 35mm         |

| Item | Part No.    | Description                         |
|------|-------------|-------------------------------------|
| 25   | SA203.V2-25 | Trigger                             |
| 26   | SA203.V2-26 | Spring Pin                          |
| 27   | SA203.V2-27 | Retaining Ring                      |
| 28   | SA203.V2-28 | Regulator Dial                      |
| 29   | SB-2.5      | Steel Ball                          |
| 30   | SA203.V2-30 | Spring                              |
| 31   | SA203.V2-31 | Reverse Lever                       |
| 32   | SA203.V2-32 | Regulator Valve                     |
| 33   | SA203.V2-33 | Reverse Valve                       |
| 34   | SA203.V2-34 | Spring Pin                          |
| 35   | SA203.V2-35 | O-Ring                              |
| 36   | SA203.V2-36 | O-Ring                              |
| 37   | SA203.V2-37 | Trigger Pin                         |
| 38   | SA203.V2-38 | O-Ring                              |
| 39   | SA203.V2-39 | Roll Pin                            |
| 40   | SA203.V2-40 | Seal                                |
| 41   | SA203.V2-41 | Valve Pin                           |
| 42   | SA203.V2-42 | Valve                               |
| 43   | SA203.V2-43 | Spring                              |
| 44   | SA203.V2-44 | Exhaust Deflector                   |
| 45   | SA203.V2-45 | Exhaust Deflector Screw ST2.2 x 6mm |
| 46   | SA203.V2-46 | O-Ring                              |
| 47   | SA203.V2-47 | Air Inlet                           |

**NOTE:** It is our policy to continually improve products and as such we reserve the right to alter data, specifications and component parts without prior notice. There may be alternative versions of this product, please contact us should you require this information.

**IMPORTANT:** No liability is accepted for incorrect use of product. Spare parts must be fitted by a competent person

**WARRANTY:** Guarantee is 12 months from purchase date, proof of which will be required for any claim.

**Sealey Group**, Kempson Way, Suffolk Business Park, Bury St Edmunds, Suffolk. IP32 7AR



01284 757500



01284 703534



sales@sealey.co.uk



www.sealey.co.uk