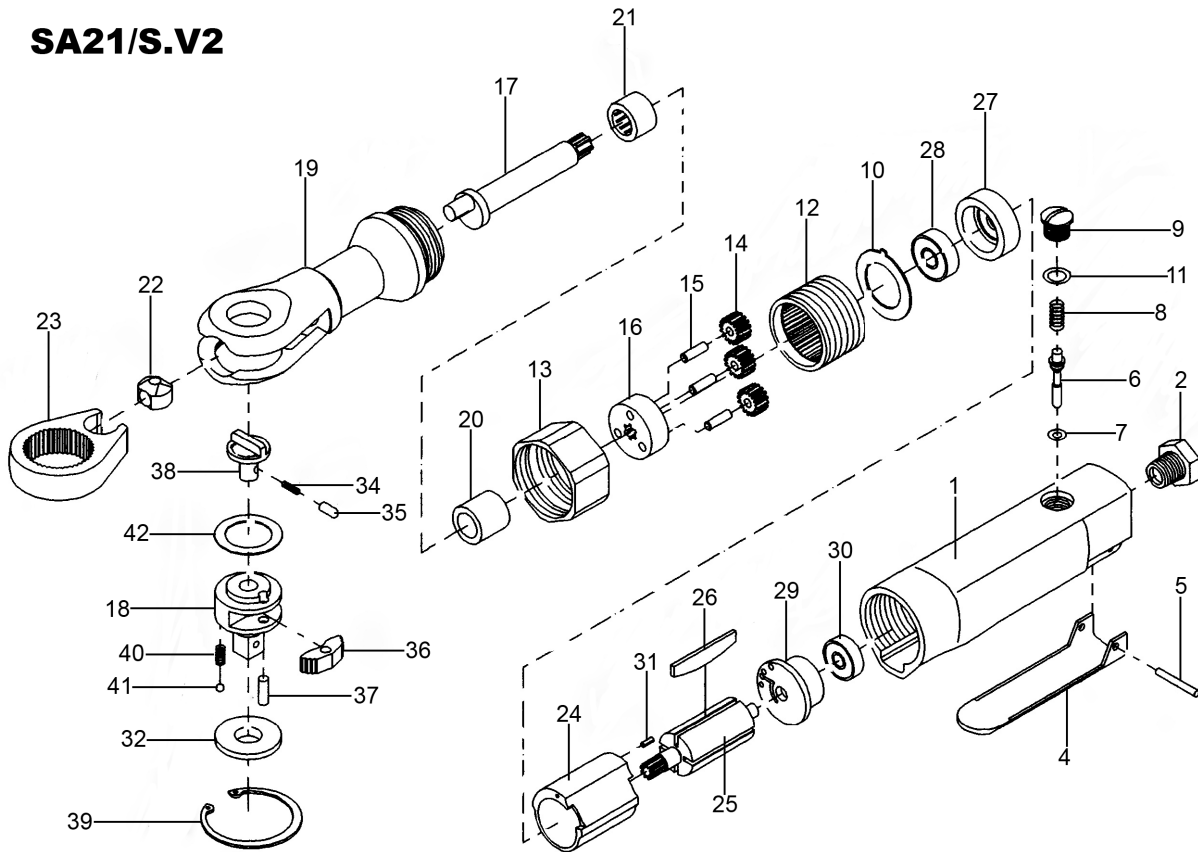


## SA21/S.V2



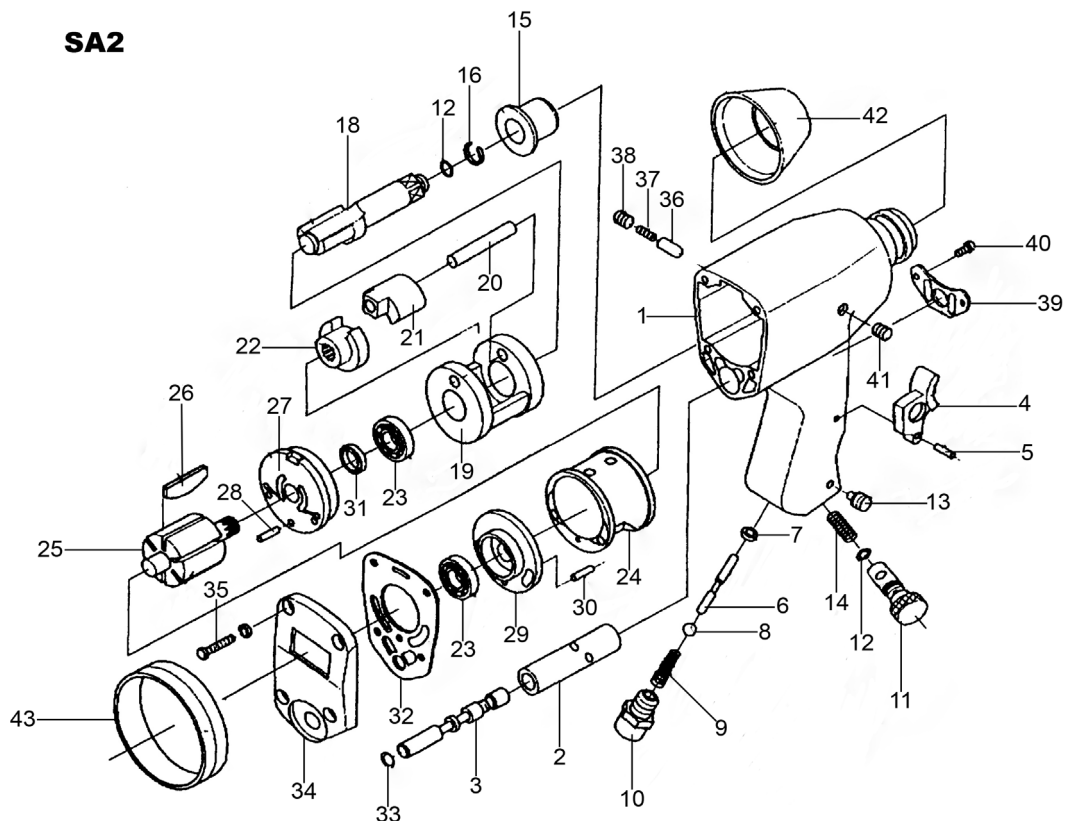
Item	Part No.	Description
1	SA20/S-01	Housing
2	SA20/S-02	Air Inlet
4	SA20/S-04	Trigger
5	SA20/S-05	Pin
6	SA20/S-06	Valve Stem
7	SA912.V2-04	O-Ring
8	SA20/S-08	Spring
9	SA20/S-09	Valve Plug
10	SA20/S-10	Bevelled Seal Ring
11	GSA08.09-4	O-Ring
12	SA20/S-12	Thread Ring Gear
13	SA20/S-13	Cap
14	SA20/S-14	Gear
15	SA20/S-15	Pin
16	SA20/S-16	Gear Plate
17	SA20/S-17	Crank Shaft
18	SA21/S-18	Ratchet Anvil
19	SA20/S-19	Ratchet Housing
20	SA20/S-20	Bushing
21	B/HK1212	Needle Bearing

Item	Part No.	Description
22	SA20/S-22	Drive Bushing
23	SA20/S-23	Ratchet Yoke
24	SA20/S-24	Cylinder
25	SA20/S-25	Rotor
26	SA20/S-26	Rotor Blade
27	SA20/S-27	Front Plate
28	B/608ZZ	Bearing
29	SA20/S-29	End Plate
30	B/626ZZ	Bearing
31	SA20/S-31	Pin
32	SA21/S-32	Spacer
34	SA20/S-34	Spring
35	SA20/S-35	Lock Pin
36	SA20/S-36	Ratchet Pawl
37	SA20/S-37	Pin
38	SA20/S-38	Reverse Button
39	SA20/S-39	Circlip
40	SA20/S-40	Spring
41	SB-4.0	Steel Ball
42	SA20/S-42	Seal Ring

**NOTE:** It is our policy to continually improve products and as such we reserve the right to alter data, specifications and component parts without prior notice. There may be alternative versions of this product, please contact us should you require this information.

**IMPORTANT:** No liability is accepted for incorrect use of product. Spare parts must be fitted by a competent person

**WARRANTY:** Guarantee is 12 months from purchase date, proof of which will be required for any claim.



Item	Part No.	Description
1	SA2/01	Housing
2	SA2/02	Sleeve, Valve
3	SA2/03	Valve, Reverse
4	SA2/04	Trigger
5	SA2/05	Spring Pin
6	SA2/06	Stem, Valve
7	SA2/07	Bushing
8	SB-9.5	Steel Ball
9	SA2/09	Spring
10	SA2/10	Adaptor, Hose
11	SA2/11	Regulator, Air
12	SA355.V2-04	O-Ring
13	SA2/13	Screw, Set
14	SA2/14	Spring
15	SA2/15	Bushing, Anvil
16	SA3S/18	Anvil Collar
18	SA2/18	Anvil
19	SA2/19	Cage, Hammer
20	SA2/20	Pin, Hammer
21	SA2/21	Dog, Hammer
22	SA2/22	Cam, Drive

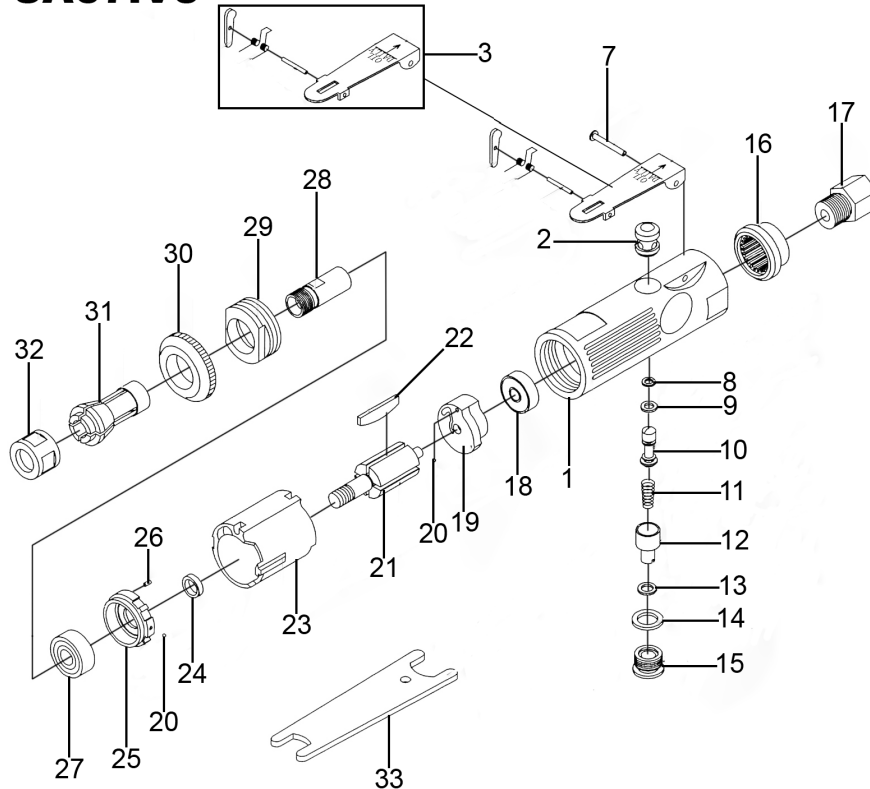
Item	Part No.	Description
23	B/6001	Bearing
24	SA2/24	Cylinder
25	SA2/25	Rotor
26	SA3S/28	Rotor Blade
27	SA2/27	Plate, Front End
28	SA2/28	Pin, Spring
29	SA2/29	Plate, Rear End
30	SA2/30	Pin, Spring
31	SA2/31	Oil Seal
32	SA2/32	Gasket, Rear
33	SA802.23	O-Ring
34	SA2/34	Cover, Rear
35	SCB518.SB	Socket Cap Bolt M5 x 18mm Black
36	SA2/36	Pin
37	SA2/37	Spring
38	GSM55.S	Grub Screw M5 x 5mm
39	SA2/39	Deflector
40	SA2/40	Screw
41	SA2/41	Screw, Set
42	SA2/42	Rubber, Protecting
43	SA3S/39	Protecting rubber

**NOTE:** It is our policy to continually improve products and as such we reserve the right to alter data, specifications and component parts without prior notice. There may be alternative versions of this product, please contact us should you require this information.

**IMPORTANT:** No liability is accepted for incorrect use of product. Spare parts must be fitted by a competent person

**WARRANTY:** Guarantee is 12 months from purchase date, proof of which will be required for any claim.

## SA67.V3



Item	Part No.	Description
1	SA671.V3-01	Housing
2	SA671.V3-02	Valve Bushing
3	SA671.V3-03	Trigger Assembly
7	SA671.V3-07	Pin
8	SA77S.V4-19	O-Ring
9	SA671.V3-09	O-Ring
10	SA671.V3-10	Valve Stem
11	SA671.V3-11	Spring
12	SA671.V3-12	Air Regulator
13	SA671.V3-13	O-Ring
14	SA671.V3-14	O-Ring
15	SA671.V3-15	Valve Plug
16	SA671.V3-16	Muffle Cover
17	SA671.V3-17	Air Inlet
18	B/626ZZ	Bearing
19	SA671.V3-19	End Plate
20	SB-2.5	Steel Ball
21	SA671.V3-21	Rotor
22	SA671.V3-22	Rotor Blade
23	SA671.V3-23	Cylinder

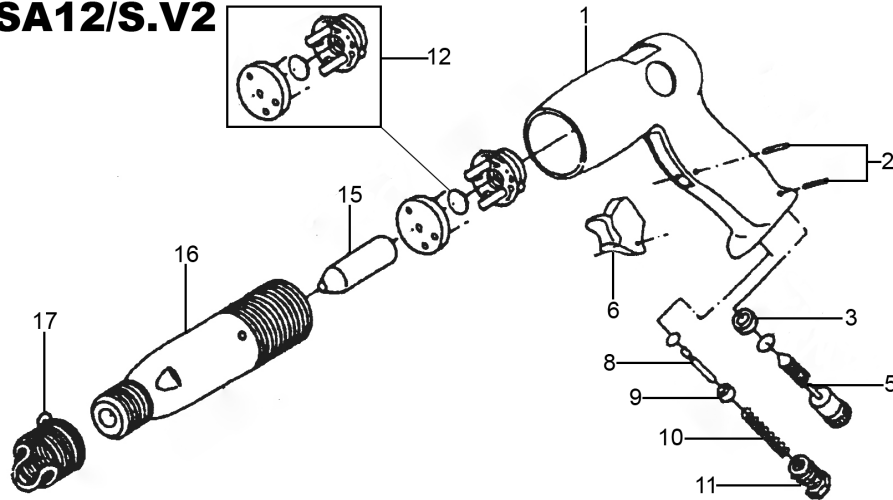
Item	Part No.	Description
24	SA671.V3-24	Bushing
25	SA671.V3-25	Front Plate
26	SA671.V3-26	Pin
27	B/6000ZZ	Bearing
28	SA671.V3-28	Collet Holder
29	SA671.V3-29	Retainer
30	SA671.V3-30	Housing Cap
31	SA671.V3-31	Collet
32	SA671.V3-32	Collet Nut
33	SA671.V3-33	Wrench
--	SA67/W01	Mounted Wheel 10 x 25mm 60P (Not Shown)
--	SA67/W02	Mounted Wheel 20 x 20mm 60P (Not Shown)
--	SA67/W03	Mounted wheel 25 x 22mm 46P (Not Shown)
--	SA67/W04	Mounted Wheel 25 x 10mm 46P (Not Shown)
--	SA67/W05	Mounted Wheel 20 x 26mm 46P (Not Shown)
--	SA67/W06	Mounted Wheel 20 x 25mm 60P (Not Shown)
--	SA67/W07	Mounted Wheel 25 x 25mm 46P (Not Shown)
--	SA67/W08	Mounted Wheel 16 x 26mm 60P (Not Shown)
--	SA67/W09	Mounted Wheel 25 x 25mm 46P (Not Shown)
--	SA67/W10	Mounted Wheel 25 x 25mm 46P (Not Shown)

**NOTE:** It is our policy to continually improve products and as such we reserve the right to alter data, specifications and component parts without prior notice. There may be alternative versions of this product, please contact us should you require this information.

**IMPORTANT:** No liability is accepted for incorrect use of product. Spare parts must be fitted by a competent person

**WARRANTY:** Guarantee is 12 months from purchase date, proof of which will be required for any claim.

## SA12/S.V2



Item	Part No.	Description
1	SA12R/01	Handle
2	SA12R/02	Pin
3	SA12R/03	Seat
5	SA12R/05	Regulator (c/w O-Ring)
6	SA12R/06	Trigger
8	SA12R/08	Pin (c/w O-Ring)
9	SA12R/09	Seat, Pin

Item	Part No.	Description
10	SA12R/10	Spring, Conical
11	SA12R/11	Adaptor Hose
12	SA12R/VA	Valve Assembly
15	SA12R/15	Piston
16	SA12R/16	Cylinder
17	SA11R/17	Retaining Spring
--	SA12S.C	5pc Chisel Kit (Not Shown)

Item	Part No.	Description
--	SA2004KIT.01	Spring Retainer (Not Shown)
--	SA2004KIT.02	Oil Pot (Not Shown)
--	TBT24.01	1/2"dr. Impact Socket 10mm (Not Shown)
--	SA2004KIT.04	1/2"dr. Impact Socket 11mm (Not Shown)
--	SA2004KIT.05	1/2"dr. Impact Socket 12mm (Not Shown)
--	SA2004KIT.06	1/2"dr. Impact Socket 13mm (Not Shown)
--	SA2004KIT.08	1/2"dr. Impact Socket 17mm (Not Shown)
--	SA2004KIT.09	1/2"dr. Impact Socket 19mm (Not Shown)
--	SA2004KIT.10	1/2"dr. Impact Socket 21mm (Not Shown)
--	SA2004KIT.11	1/2"dr. Impact Socket 22mm (Not Shown)
--	SA2004KIT.12	1/2"dr. impact socket 24mm (Not Shown)
--	SA2004KIT.13	1/4" Plug (Not Shown)

Item	Part No.	Description
--	SA2004KIT.14	Grinding Stone, Flat 6mm (Not Shown)
--	SA2004KIT.15	Grinding Stone, Round 6mm (Not Shown)
--	SA2004KIT.16	Grinding Stone, Sharp 6mm (Not Shown)
--	SA2004KIT.17	Chisel, Weld Buster 125mm (Not Shown)
--	SA2004KIT.18	Chisel, Flat (Not Shown)
--	SA2004KIT.19	Chisel, Tapered Punch 125mm (Not Shown)
--	SA2004KIT.20	Adaptor 3/8"F-1/2"M (Not Shown)
--	SA2004KIT.21	Quick Coupler 1/4" F (Not Shown)
--	SA2004KIT.22	Hand Wrench (Not Shown)
--	SA2004KIT.23	Hex Key Wrench 4mm (Not Shown)
--	SA2004KIT.24	Impact Extension Bar 75mm (Not Shown)

**NOTE:** It is our policy to continually improve products and as such we reserve the right to alter data, specifications and component parts without prior notice. There may be alternative versions of this product, please contact us should you require this information.

**IMPORTANT:** No liability is accepted for incorrect use of product. Spare parts must be fitted by a competent person

**WARRANTY:** Guarantee is 12 months from purchase date, proof of which will be required for any claim.