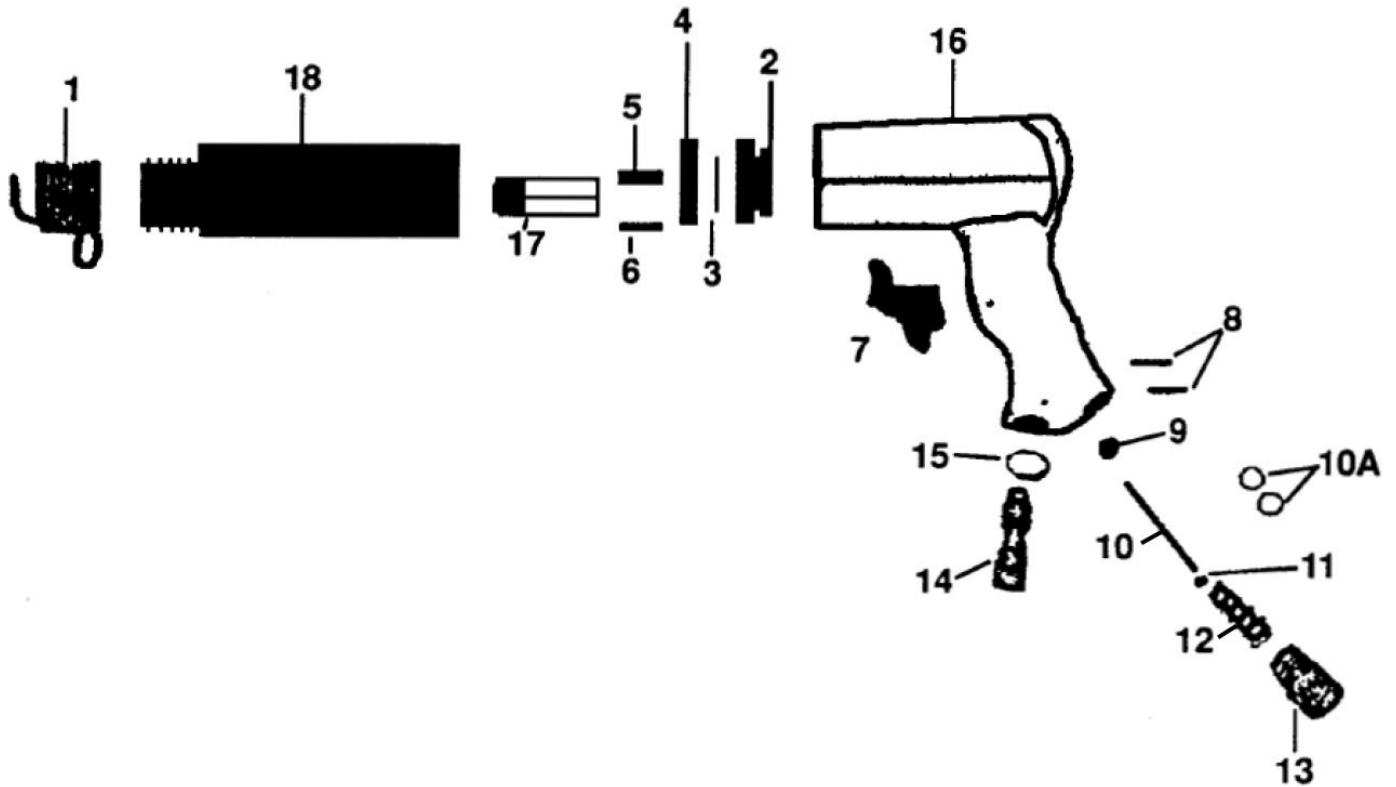




Parts Information:  
**Air Hammer with Chisels Medium Stroke**  
**Model No: SA12/S**



Item	Part No.	Description
1	SA11R/17	Retaining Spring for Air Hammer
2	SA12R/VA	Valve Assembly
3	SA12R/VA	Valve Assembly
4	SA12R/VA	Valve Assembly
5	SA12R/VA	Valve Assembly
6	SA12R/VA	Valve Assembly
7	SA11S/07	Trigger
8	SA12S/08	Dowel Pin
9	SA12S/09	Rubber Seat
10	SA12S/10	Push Rod

Item	Part No.	Description
10A	SA12S/10A	O-Ring
11	SA12S/11	Ball
12	SA12S/12	Spring
13	SA12S/13	Bush
14	SA12S/14	Regulator
15	SA12S/15	O-Ring
16	SA12S/16	Handle
17	SA12S/17	Piston
18	SA12S/18	Cylinder, Round

**NOTE:** It is our policy to continually improve products and as such we reserve the right to alter data, specifications and component parts without prior notice. There may be alternative versions of this product, please contact us should you require this information.

**IMPORTANT:** No liability is accepted for incorrect use of product. Spare parts must be fitted by a competent person

**WARRANTY:** Guarantee is 12 months from purchase date, proof of which will be required for any claim.

**Sealey Group**, Kempson Way, Suffolk Business Park, Bury St Edmunds, Suffolk. IP32 7AR



01284 757500



01284 703534



sales@sealey.co.uk



www.sealey.co.uk