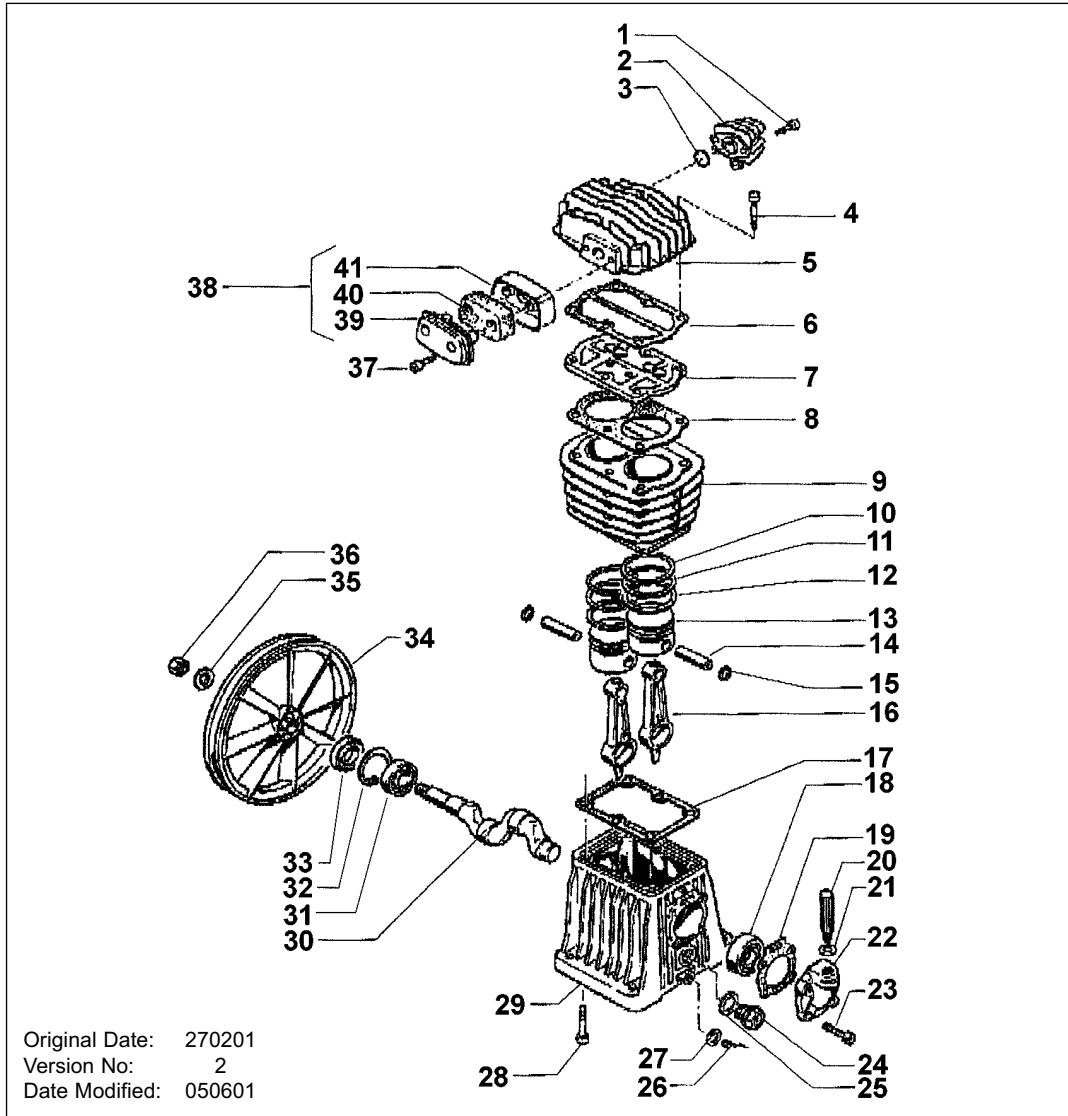


Original Date: 270201  
Version No: 2  
Date Modified: 050601

| Item | Part No.   | Description                    | Item | Part No.   | Description         |
|------|------------|--------------------------------|------|------------|---------------------|
| 1    | SH10701560 | Motor, 3HP Soft Start          | 18   | SH16901960 | Plug, 2"BSP         |
| 2    | SH11902990 | Tank, 150l (model SA1015/3)    | 19   | SH16903410 | Extension           |
| 2    | SH11903000 | Tank, 200l (model SA1020/3)    | 20   | SH16903490 | Connection          |
| 3    | SH12800270 | Pressure Switch                | 21   | SH17300240 | Screw               |
| 4    | SH13400170 | Belt Guard, Complete           | 22   | SH17300270 | Bolt, M8 x 40       |
| 4-1  | SH13400171 | Belt guard, Front              | 23   | SH17300300 | Bolt, M10 x 15      |
| 4-2  | SH13400172 | Belt guard, Rear               | 24   | SH17300560 | Screw               |
| 5    | SH13500920 | Pulley, Motor, 180mm           | 25   | SH17300830 | Screw               |
| 6    | V/A51      | V Belt                         | 26   | SH17300860 | Screw               |
| 7    | SH14201450 | Bracket, Belt Guard            | 27   | SH17300870 | Screw               |
| 8    | SH1420146C | Base Plate                     | 28   | SH17400080 | Nut                 |
| 9    | SH14300980 | Air Pipe, Plastic (length)     | 29   | SH17500090 | Washer              |
| 10   | SH14302730 | Delivery Tube                  | 30   | SH17500100 | Washer, 10.5 x 21mm |
| 11   | SH14400680 | Non-Return Valve, 1/2"BSP, 25l | 31   | SH17500160 | Washer, 8 x 24mm    |
| 12   | SH14400820 | Safety Valve                   | 32   | SH17500210 | Washer              |
| 13   | SH15000060 | Gauge, 1/4"NPT, 0 - 20 bar     | 33   | SHK0900010 | Pump, K9            |
| 14   | SH15300260 | Outlet Valve, 1/2"BSP          | 34   | SH3650020A | Oil Plug            |
| 15   | SH15300320 | Drain Valve, Condensate        | 35   | SH16901740 | Pipe Fitting        |
| 16   | SH16901820 | Reducer, 2" - 1/2"             |      |            |                     |



Original Date: 270201  
Version No: 2  
Date Modified: 050601

| Item | Part No.   | Description              | Item | Part No.   | Description          |
|------|------------|--------------------------|------|------------|----------------------|
| 1    | SH37302480 | Screw                    | 22   | SH30406830 | Support              |
| 2    | SH32909080 | Aftercooler              | 23   | SH37306920 | Screw                |
| 3    | SH30502510 | O-ring                   | 24   | SH36500140 | Oil Sight Glass      |
| 4    | SH37335580 | Screw                    | 25   | SH30500130 | Gasket               |
| 5    | SH31309040 | Cylinder Head            | 26   | SH37303340 | Drain Plug           |
| 6    | SH30506900 | Gasket                   | 27   | SH37500670 | Washer               |
| 7    | SH32706840 | Valve Plate              | 28   | SH37335560 | Screw                |
| 8    | SH30506890 | Gasket                   | 29   | SH33106800 | Crankcase            |
| 9    | SH31600500 | Cylinder                 | 30   | SH30206850 | Crankshaft           |
| 10   | SH31203990 | Compression Ring         | 31   | SH30300030 | Bearing              |
| 11   | SH31203970 | Stepped Scraper Ring     | 32   | SH37607530 | Circlip              |
| 12   | SH31203950 | Slotted Oil Scraper Ring | 33   | SH30307540 | Oil Seal             |
| 13   | SH31208800 | Piston, 64mm dia.        | 34   | SH31007280 | Flywheel, 280mm dia. |
| 14   | SH31200700 | Piston Pin               | 35   | SH37500730 | Washer               |
| 15   | SH37600230 | Circlip                  | 36   | SH37400720 | Nut                  |
| 16   | SH31106860 | Complete Connecting Rod  | 37   | SH37302480 | Screw                |
| 17   | SH30506880 | Gasket                   | 38   | SH15901120 | Complete Filter      |
| 18   | SH30300030 | Bearing                  | 39   | SH35647510 | Filter Cover         |
| 19   | SH30506870 | Gasket                   | 40   | SH15901090 | Filter Cartridge     |
| 20   | SH3650020A | Oil Plug                 | 41   | SH35647520 | Filter Casing        |
| 21   | SH3050016A | Gasket                   |      |            |                      |