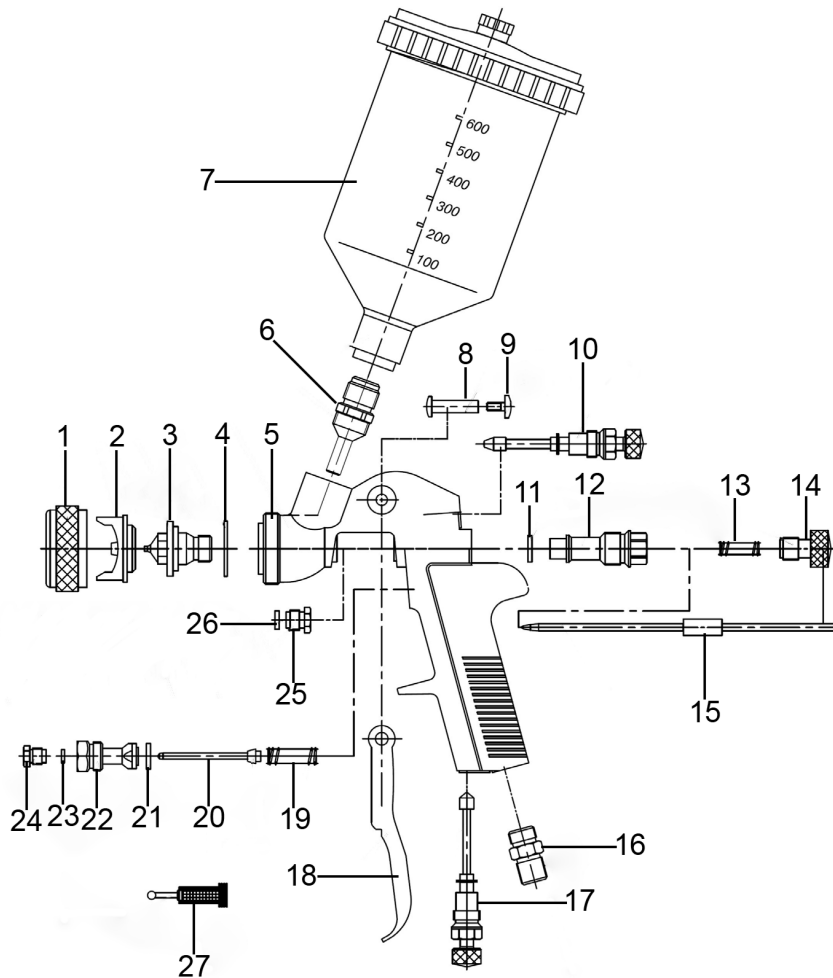


Parts Information:
Spray Gun Gravity Feed Siegen Brand
1.3mm Set-Up
Model No: S775G



Item	Part No.	Description
1	S775G.01	Air Cap Ring
2	S775G.02	Air Cap
3	S775G.03	Fluid Nozzle 1.3mm
4	S775G.04	Air Cap Gasket
5	S775G.05	Gun Body
6	S775G.06	Fluid Screw
7	HVLP741.32	Paint Cup Assembly
8	S775G.08	Trigger Pin
9	S775G.09	Trigger Screw
10	S775G.10	Fan Adjustment Valve Set
11	S775G.11	Packing
12	S775G.12	Needle Sleeve
13	S775G.13	Needle Spring
14	S775G.14	Needle Adjustment Screw
15	S775G.15	Needle Set 1.3mm

Item	Part No.	Description
16	S775G.16	Air Joint
17	S775G.17	Air Adjustment Valve Set
18	S775G.18	Trigger
19	S775G.19	Air Valve Spring
20	S775G.20	Air Valve
21	S775G.21	Gasket
22	S775G.22	Air Valve Seat
23	S775G.23	Air Valve Packing
24	S775G.24	Air Valve Packing Screw
25	S775G.25	Needle Packing Screw
26	S775G.26	Needle Packing Gasket
27	S775G.27	Filter
--	S775G.SET1.5	Set-Up 1.5mm (Not Shown)
--	S775G.SET1.8	Set-Up 1.8mm (Not Shown)
--	S775G.SET2.0	Set-Up 2.0mm (Not Shown)

NOTE: It is our policy to continually improve products and as such we reserve the right to alter data, specifications and component parts without prior notice. There may be alternative versions of this product, please contact us should you require this information.

IMPORTANT: No liability is accepted for incorrect use of product. Spare parts must be fitted by a competent person

WARRANTY: Guarantee is 12 months from purchase date, proof of which will be required for any claim.