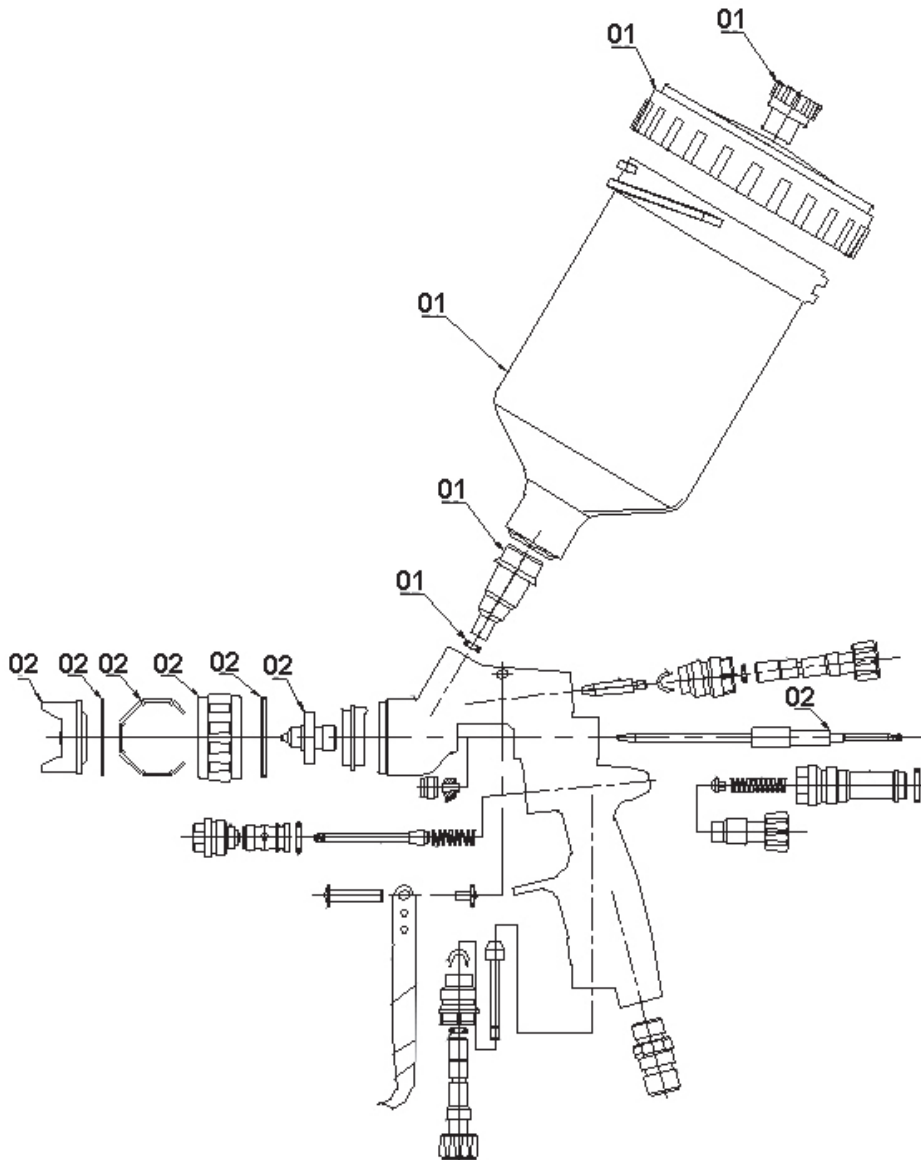




Parts Information:
Gravity Feed Spray Gun
Model No: S713G / S714G / S717G



Item	Part No.	Description
1	WEN-CUP1	Plastic Gravity Pot 600ml
2	WEN-SET2.0	2.0mm Set-Up (Nozzle/Air Cap/Needle)

Item	Part No.	Description
2	WEN-SET1.7	1.7mm Set-Up (Nozzle/Air Cap/Needle)
2	WEN-SET2.5	2.5mm Set-Up (Nozzle/Air Cap/Needle)

NOTE: It is our policy to continually improve products and as such we reserve the right to alter data, specifications and component parts without prior notice.
IMPORTANT: No liability is accepted for incorrect use of product. Spare parts must be fitted by a competent person
WARRANTY: Guarantee is 12 months from purchase date, proof of which will be required for any claim.

Sealey Group, Kempson Way, Suffolk Business Park, Bury St Edmunds, Suffolk. IP32 7AR

01284 757500 |
 01284 703534 |
 sales@sealey.co.uk |
 www.sealey.co.uk