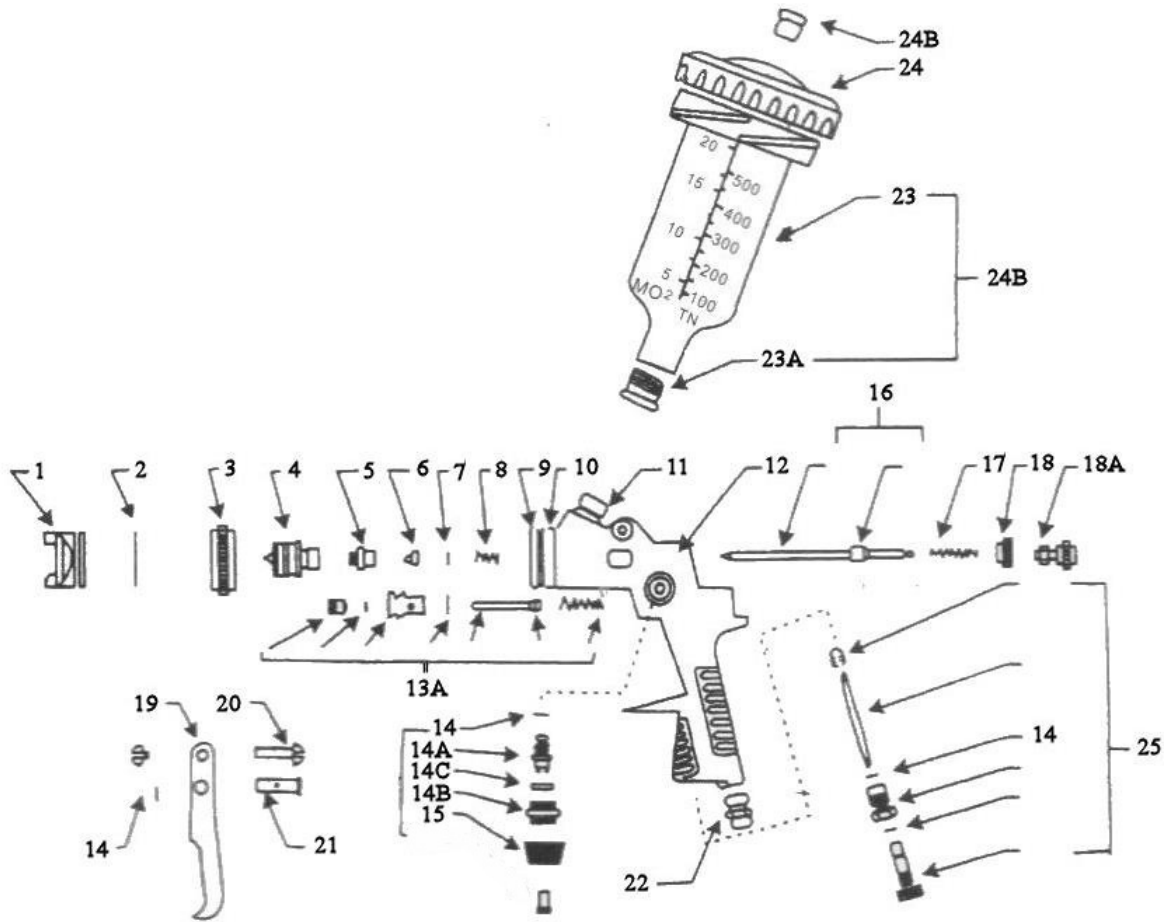




Parts Information:
Spray Gun Gravity Feed 1.4mm Set-Up
Model No: S641G



Item	Part No.	Description
1	S641G.01	NOZZLE 1.4mm
2	S642G.02	RING
3	S642G.03	AIR CAP
4	S641G.04	FLUID NOZZLE 1.4mm
5	S642G.05	PACKING SCREW FOR NEEDLE
6	S642G.06	TEFLON SEAL
7	S642G.07	WASHER
8	S642G.08	SPRING
9	S642G.09	BRASS RING
10	S642G.10	GASKET
11	S642G.11	CONNECTOR FOR FLUID CONTAINER
12	S642G.12	GUN BODY
13A	S642G.13A	AIR VALVE ASS'Y
14	S642G.14	WASHER
14A	S642G.14A	SPRAY REGULATING SCREW
14B	S642G.14B	SPRAY REGULATING NUT

Item	Part No.	Description
14C	S642G.14C	C-RING
15	S642G.15	FLUID ADJUSTMENT KNOB
16	S641G.16	PAINT NEEDLE COMPLETE 1.4mm
17	S642G.17	NEEDLE SPRING
18	S642G.18	SCREW NUT
18A	S642G.18A	FLUID CONTROL KNOB
19	S642G.19	TRIGGER
20	S642G.20	SCREW
21	S642G.21	TRIGGER PIN
22	S642G.22	AIR ADAPTOR 1/4"
23	S642G.23	FLUID POT
23A	S642G.23A	ADAPTOR
24	S642G.24	FLUID POT COVER
24B	S642G.24B	FLUID POT ASS'Y
25	S642G.25	AIR ADJUSTING VALVE ASS'Y

NOTE: It is our policy to continually improve products and as such we reserve the right to alter data, specifications and component parts without prior notice.

IMPORTANT: No liability is accepted for incorrect use of product.

WARRANTY: Guarantee is 12 months from purchase date, proof of which will be required for any claim.

Sealey Group, Kempson Way, Suffolk Business Park, Bury St Edmunds, Suffolk. IP32 7AR



01284 757500



01284 703534



sales@sealey.co.uk



www.sealey.co.uk