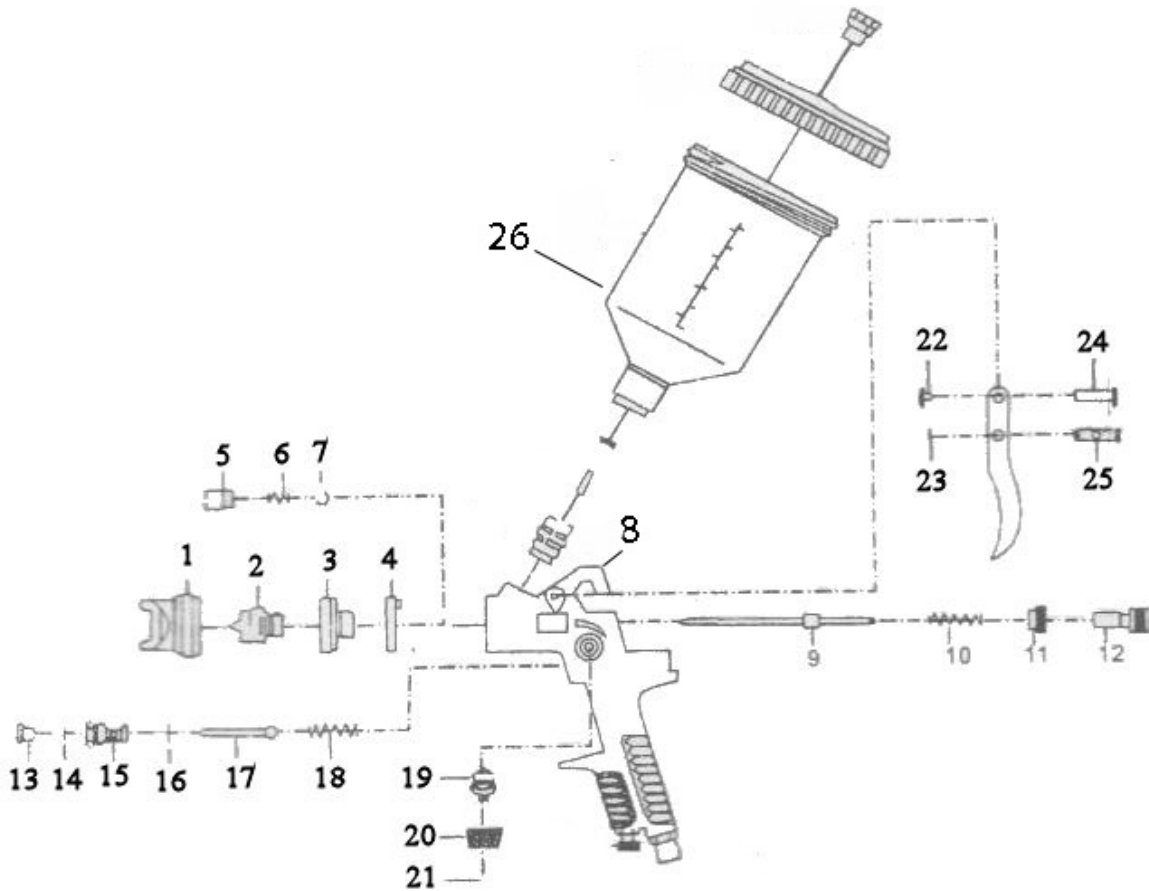


Parts Information:  
**Spray Gun Touch-Up Gravity Feed 1mm  
 Set-Up**  
**Model No: S631**



Item	Part No.	Description
1	S631.01	AIR NOZZLE (c/w BRASS CAP) 1.0mm
2	S631.02	FLUID NOZZLE 1.0mm
3	S631.03	PISTON RING
4	S631.04	O-RING
5	S631.05	COMPRESSION SCREW
6	S631.06	SEAL FOR AIR PISTON
7	S631.07	STEEL BALL
8	S631.08	GUN BODY
9	S631.09	FLUID NEEDLE 1.0mm
10	S631.10	SPRING FOR NEEDLE
11	S631.11	SCREW NUT
12	S631.12	FLUID CONTROL NUT
13	S631.13	AIR PACKING
14	S631.14	PACKING FOR AIR PISTON

Item	Part No.	Description
15	S631.15	AIR SWITCH VALVE
16	S631.16	PISTON RING
17	S631.17	AIR PISTON COMPLETE
18	S631.18	SPRING FOR AIR PISTON
19	S631.19	SPINDLE COMPLETE
20	S631.20	CONTROL KNOB
21	S631.21	SCREW FOR SPINDLE
22	S631.22	AIR ADJUSTMENT VALVE ASS'Y
23	S631.23	RETAINER
24	S631.24	TRIGGER PIN
25	S631.25	HINGE PIN
26	S631.26-30	CONTAINER ASS'Y
--	S631-SET0.8	SET-UP 0.8mm (NOT SHOWN)
--	S631-SET1.0	SET-UP 1.0mm (NOT SHOWN)

**NOTE:** It is our policy to continually improve products and as such we reserve the right to alter data, specifications and component parts without prior notice.

**IMPORTANT:** No liability is accepted for incorrect use of product.

**WARRANTY:** Guarantee is 12 months from purchase date, proof of which will be required for any claim.