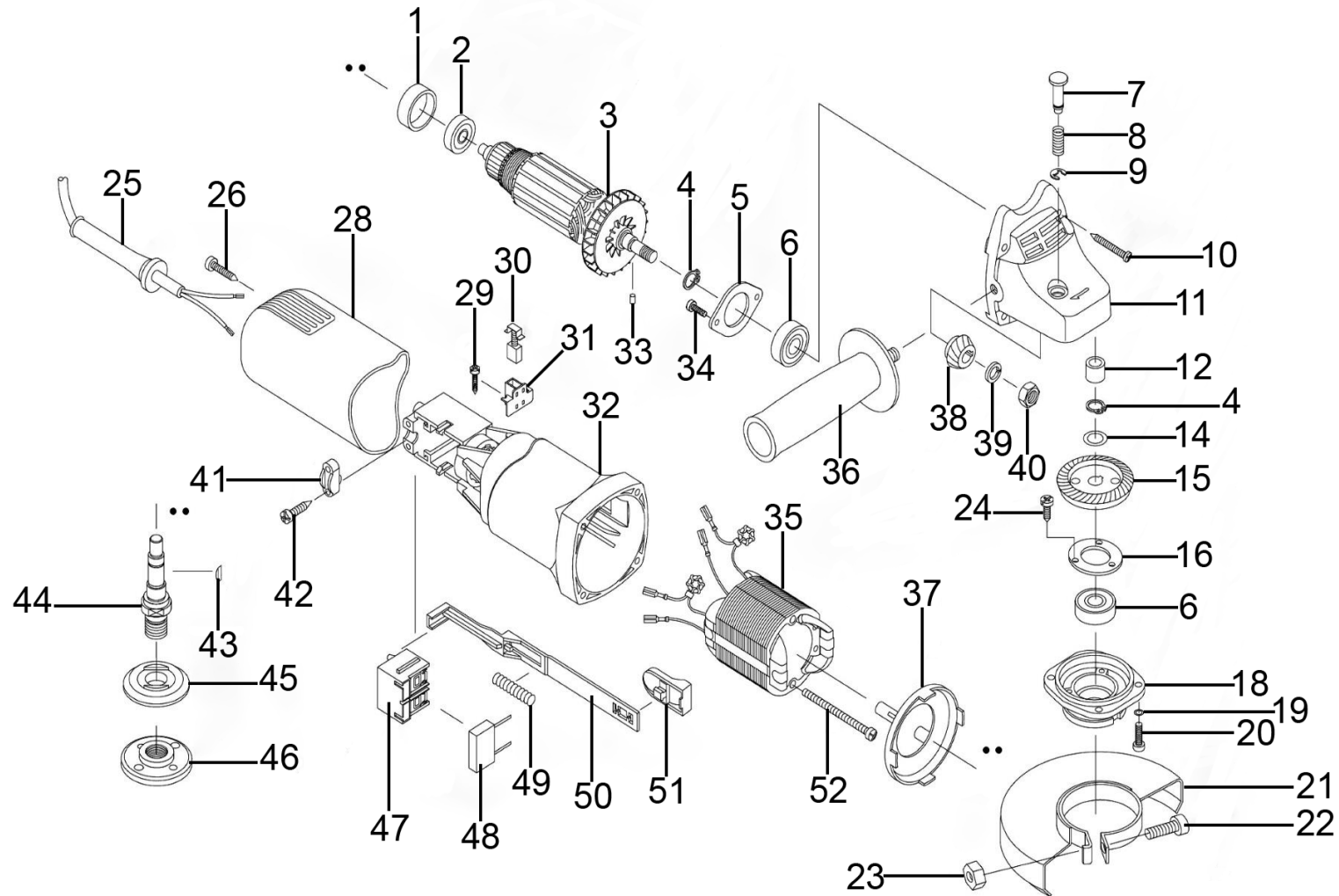




Parts Information:
Angle Grinder Ø115mm 600W/230V
Model No: S0530.V2



NOTE: It is our policy to continually improve products and as such we reserve the right to alter data, specifications and component parts without prior notice.

There may be alternative versions of this product, please contact us should you require this information.

IMPORTANT: No liability is accepted for incorrect use of product. Spare parts must be fitted by a competent person

WARRANTY: Guarantee is 12 months from purchase date, proof of which will be required for any claim.

Sealey Group, Kempson Way, Suffolk Business Park, Bury St Edmunds, Suffolk. IP32 7AR



01284 757500



01284 703534



sales@sealey.co.uk



www.sealey.co.uk



Parts Information:
Angle Grinder Ø115mm 600W/230V
Model No: S0530.V2

Item	Part No.	Description
1	S0530.V2-01	Bearing Sleeve, Rubber
2	B/607ZZ	Bearing
3	S0530.V2-03	Rotor
4	ER1700PD.37	Circlip
5	S0530.V2-05	Bearing Cover
6	B/6000ZZ	Bearing
7	S0530.V2-07	Stop Pin
8	S0530.V2-08	Spring
9	S0530.V2-09	E-Clip
10	S0685.V2-10	Rd Head S/T Screw M4 x 18mm
11	S0530.V2-11	Gear Box
12	S0530.V2-12	Collar
14	S0530.V2-14	Crinkle Washer
15	S0530.V2-15	Gear, Large
16	S0530.V2-16	Bearing Cover
18	S0530.V2-18	Front Cover
19	S0530.V2-19	Washer
20	MSP412.S	Machine Screw Pan Head Phillips M4 x 12mm
21	S0530.V2-21	Guard
22	S0530.V2-22	Skt Hd Screw
23	S0530.V2-23	Nut, Square
24	S0530.V2-24	Screw
25	S0530.V2-25	Cable Sleeve
26	S0530.V2-26	Rd Head S/T Screw M4 x 12mm
28	S0530.V2-28	Housing, Rear

Item	Part No.	Description
29	SA44.V3-02	Rd Head S/T Screw M3 x 8mm Flat End
30	S0530.V2-30	Carbon Brush
31	S0530.V2-31	Brush Holder
32	S0530.V2-32	Housing, Main
33	S0530.V2-33	Roller
34	S0530.V2-34	Machine Screw M4 x 6mm
35	S0530.V2-35	Stator
36	S0530.V2-36	Handle
37	S0530.V2-37	Fan Shroud
38	S0530.V2-38	Gear, Small
39	SWM8.SB	Spring Washer M8 Black
40	S0530.V2-40	Lock Nut
41	S0530.V2-41	Press Plate, Cable
42	S0530.V2-42	Self Tapping Screw M4 x 15mm
43	S0530.V2-43	Woodruff Key
44	S0530.V2-44	Shaft
45	S0530.V2-45	Press Plate, Lower
46	S0530.V2-46	Press Plate, Upper
47	S0530.V2-47	Switch, Power
48	SG125.28	Capacitor
49	S0530.V2-49	Spring
50	S0530.V2-50	Lever, Power Switch
51	S0530.V2-51	Button, Power Switch
52	MSP450.S	Machine Screw Pan Head Phillips M4 x 50mm
--	SG115.V2-53	Pin Spanner (Not Shown)

NOTE: It is our policy to continually improve products and as such we reserve the right to alter data, specifications and component parts without prior notice. There may be alternative versions of this product, please contact us should you require this information.

IMPORTANT: No liability is accepted for incorrect use of product. Spare parts must be fitted by a competent person

WARRANTY: Guarantee is 12 months from purchase date, proof of which will be required for any claim.

Sealey Group, Kempson Way, Suffolk Business Park, Bury St Edmunds, Suffolk. IP32 7AR



01284 757500



01284 703534



sales@sealey.co.uk



www.sealey.co.uk