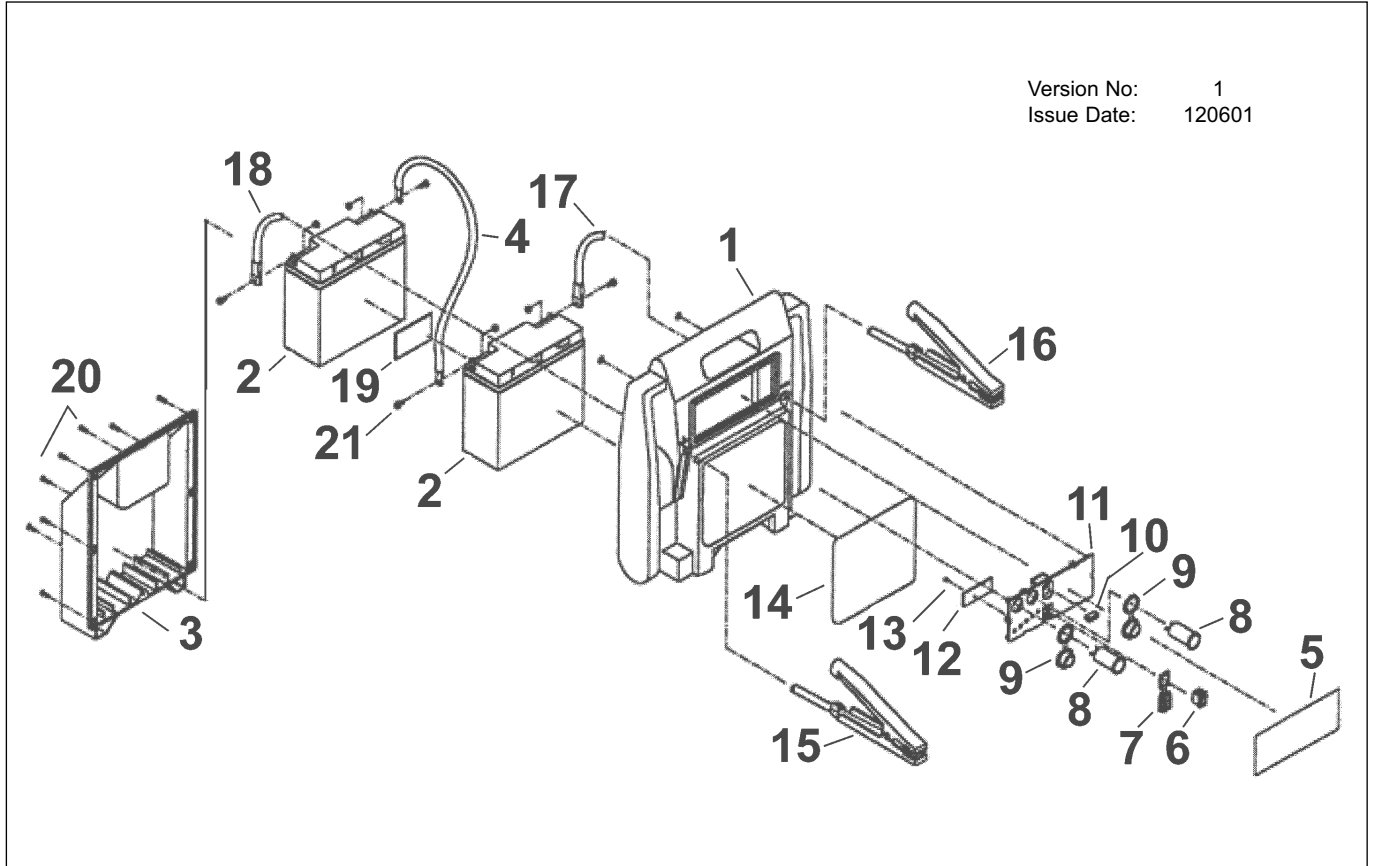


Version No: 1
 Issue Date: 120601



| Item | Part No. | Description |
|------|----------|------------------|
| 1 | RS22/01 | Housing |
| 2 | RS22/02 | 12V 17Ah Battery |
| 3 | RS22/03 | Rear Housing |
| 4 | RS22/04 | Cable |
| 5 | RS22/05 | Panel Label |
| 6 | RS22/06 | Rocker Switch |
| 7 | RS22/07 | Plastic Cover |
| 8 | RS22/08 | Socket |
| 9 | RS22/09 | Socket Cover |
| 10 | RS22/10 | 10A Fuse |
| 11 | RS22/11 | Panel |
| 12 | RS22/12 | PCB |

| Item | Part No. | Description |
|------|----------|----------------------|
| 13 | RS22/13 | Screw, M3 x 6 |
| 14 | RS22/14 | Label |
| 15 | RS22/15 | Clamp, Red + |
| 16 | RS22/16 | Clamp, Black - |
| 17 | RS22/17 | Cable, Black - 650mm |
| 18 | RS22/18 | Cable, Red + 650mm |
| 19 | RS22/19 | Tape |
| 20 | RS22/20 | Screw, M4 x 16 |
| 21 | RS22/21 | Screw, M5 x 13 |
| - | RS22/C | Charger Plug |
| - | RS22/EC | DC Charging Cable |