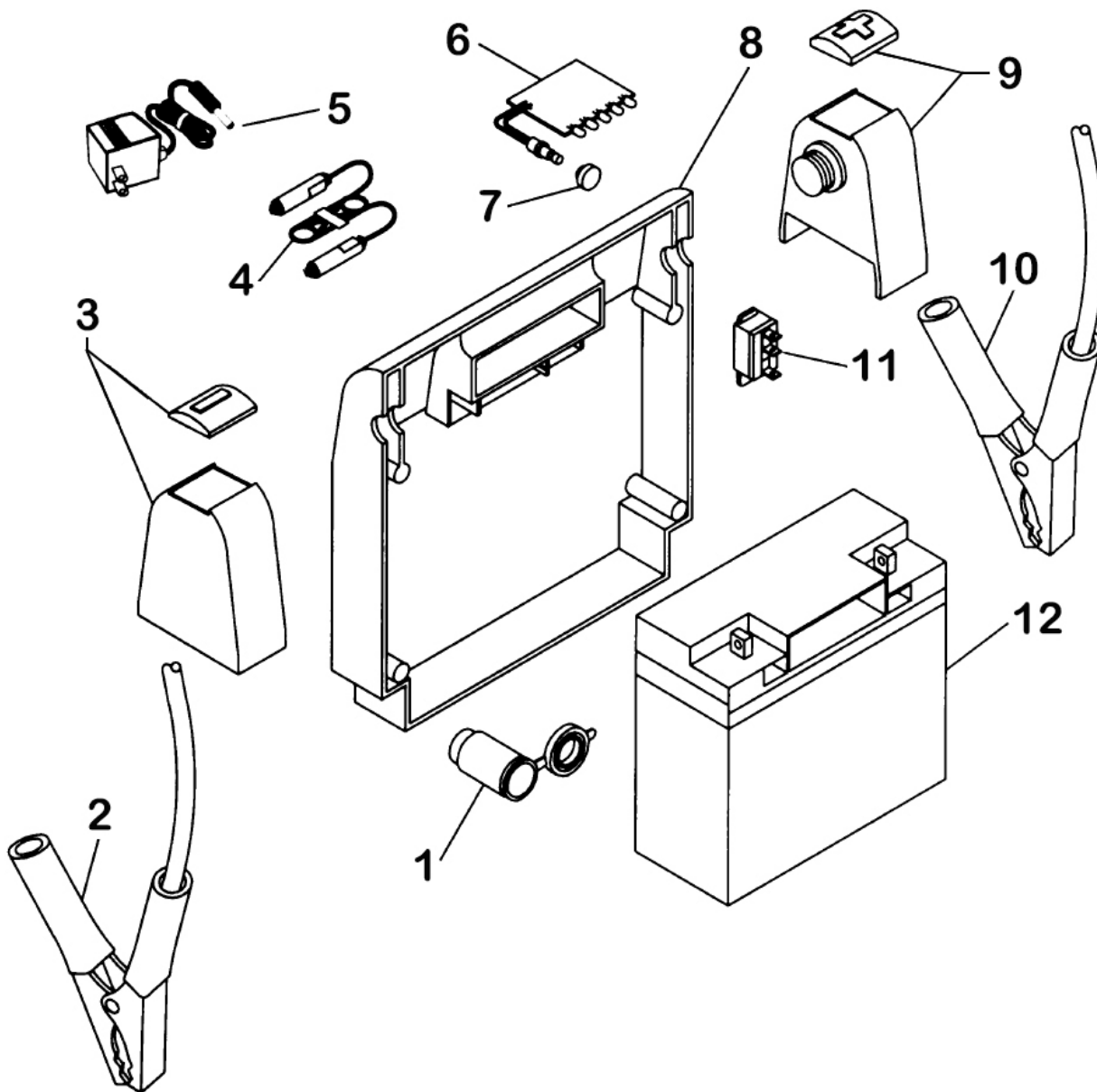




Parts Information:
RoadStart® Emergency Jump Starter 12V
1000 Peak Amps
Model No: RS1



Item	Part No.	Description
1	C/246417666	Cigarette Lighter Socket With Cap (12v Version)
2	C/249096900	Clamp, Black
3	C/312272000	Holster, Negative (red)
4	RS1/EC	Power Cord Extension
5	RS1/A	Charger / AC Adaptor
6	C/865840000	Circuit, Printed W/Zender Diode
7	C/312270900	Red Plastic Switch Button
8	C/312269000	Case, Plastic, Rear (Red)

Item	Part No.	Description
9	C/312272000	Holster, negative (Red)
10	C/249095900	Clamp, Red
11	C/246416900	Circuit Breaker, 12 Amp
12	RS1/B	Battery 12v 17 ah
--	C/312274000	Case, Front, Plastic (Red) (Not Shown)
--	LS/16	Lead (Single) 16mm 3m C/W Eyes (Not Shown)
--	RS1/AX	Pin Jack Charger For rs1 15v 500ma 7.5va (Not Shown)

NOTE: It is our policy to continually improve products and as such we reserve the right to alter data, specifications and component parts without prior notice. There may be alternative versions of this product, please contact us should you require this information.

IMPORTANT: No liability is accepted for incorrect use of product. Spare parts must be fitted by a competent person

WARRANTY: Guarantee is 12 months from purchase date, proof of which will be required for any claim.

Sealey Group, Kempson Way, Suffolk Business Park, Bury St Edmunds, Suffolk. IP32 7AR



01284 757500



01284 703534



sales@sealey.co.uk



www.sealey.co.uk