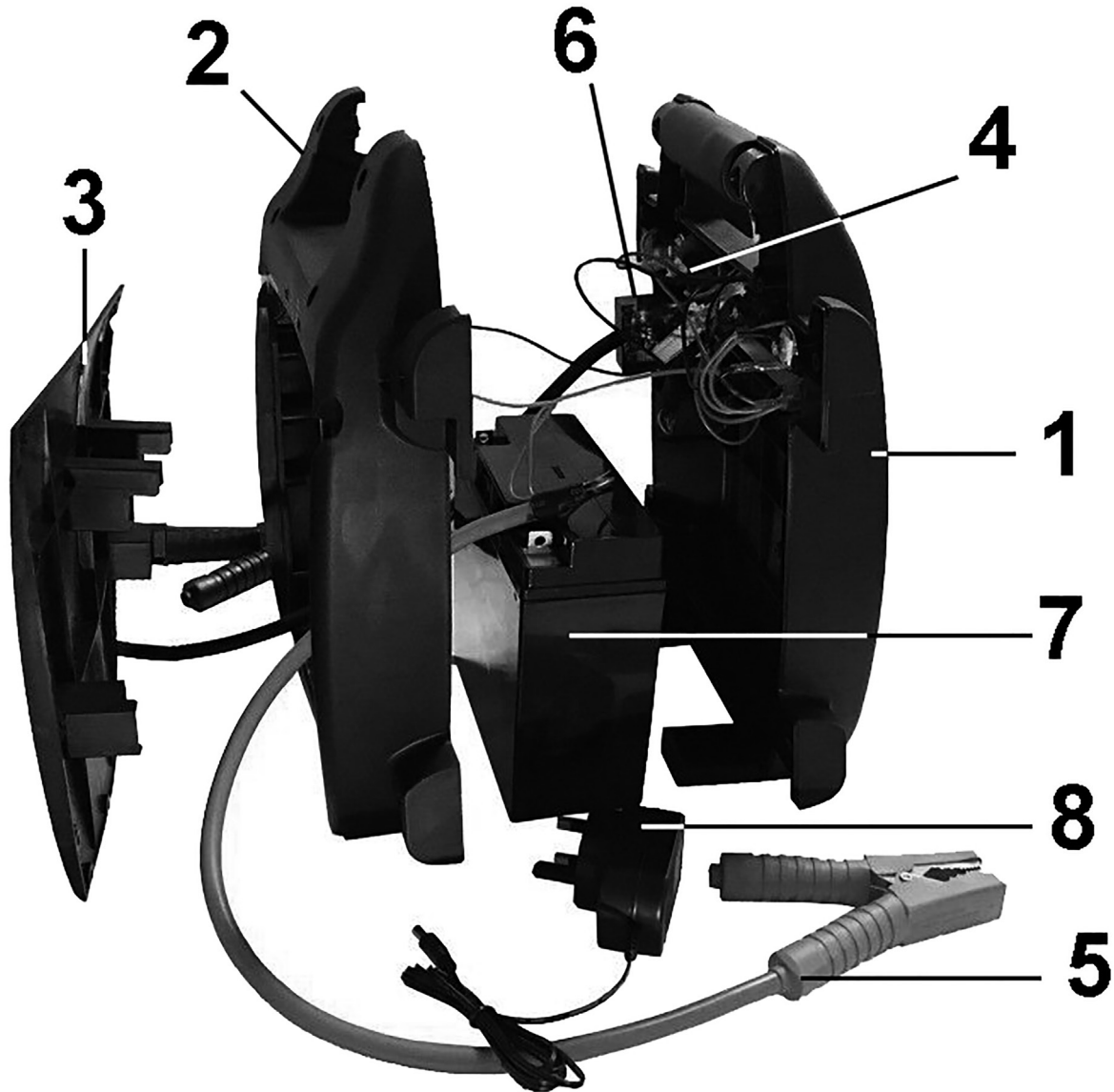




Parts Information:  
**RoadStart® Emergency Jump Starter 12V 2L  
 4-Cylinder)**  
**Model No: RS1B**



Item	Part No.	Description
1	RS1B.01	Front Case <b>(FOR RS1B)</b>
2	RS1B.02	Back Case <b>(FOR RS1B)</b>
3	RS1B.03	Panel For Back Case <b>(FOR RS1B)</b>
4	RS1B.04	Switch On/Off Rotary C/w Fixing Nuts
5	RS1B.05	Positive & Negative Clamp Assembly
6	RS1B.06	PCB, Circuit Board, 65 X 50mm, C/w Micro Switch x 2

Item	Part No.	Description
7	RS1B.B	Battery,12v, 17ah/204wh (Lead Acid)(H:160 W:180 B:70)
8	RS1B.CHARGER	Mains Charger UK 15V DC 0.8A 5mm Pin Jack
--	RS1B-06N	PCB And Lead With 5 pin Plug (3 Diodes)(Not Shown)

**NOTE:** It is our policy to continually improve products and as such we reserve the right to alter data, specifications and component parts without prior notice. There may be alternative versions of this product, please contact us should you require this information.

**IMPORTANT:** No liability is accepted for incorrect use of product. Spare parts must be fitted by a competent person

**WARRANTY:** Guarantee is 12 months from purchase date, proof of which will be required for any claim.

**Sealey Group**, Kempson Way, Suffolk Business Park, Bury St Edmunds, Suffolk. IP32 7AR



01284 757500



sales@sealey.co.uk



www.sealey.co.uk