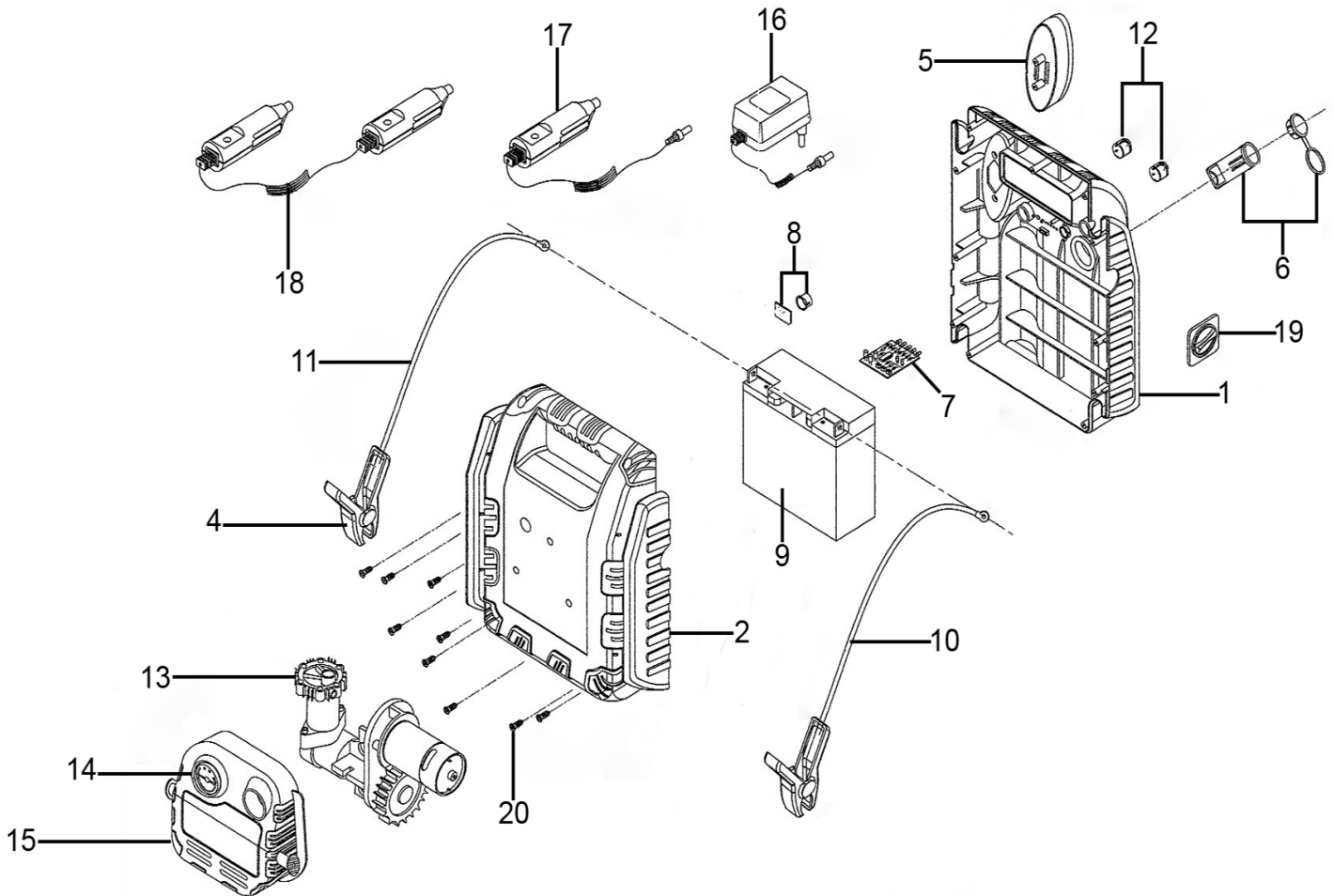




Parts Information:
**RoadStart® Emergency Power Pack with
 Air Compressor 12V 900 Peak Amps
 Model No: RS132**



Item	Part No.	Description
1	P-74501	Front Body
2	P-74402	Back Body
4	P-89505	Clamp, Negative
5	P-89506	Work Light Assembly
6	P-89507	Car Charger Socket Assembly
7	B-74501	Main PCB
8	B-74502	PCB
9	RS1312HV.20	Battery
10	E-89502	Cable Assembly, Positive (c/w Clamp)
11	E-74403	Cable, Negative
12	E-89504	Switch, Power Rocker

Item	Part No.	Description
13	E-74405	Pump
14	E-74406	Gauge
15	P-74407	Pump Body
16	E-89505	Mains Charger, AC
17	LED3007.02	In Car Charger, DC
18	E-89507	Extension Cord, DC
19	BF-74515	Safety Switch, Rotary
20	P-SCREW	Rd Head S/T Screw M3 x 15mm
--	P-89504	Clamp, Positive (Not Shown)
--	E-74411	Air Hose (c/w Nozzle)(Not Shown)

NOTE: It is our policy to continually improve products and as such we reserve the right to alter data, specifications and component parts without prior notice. There may be alternative versions of this product, please contact us should you require this information.

IMPORTANT: No liability is accepted for incorrect use of product. Spare parts must be fitted by a competent person

WARRANTY: Guarantee is 12 months from purchase date, proof of which will be required for any claim.

Sealey Group, Kempson Way, Suffolk Business Park, Bury St Edmunds, Suffolk. IP32 7AR



01284 757500



01284 703534



sales@sealey.co.uk



www.sealey.co.uk