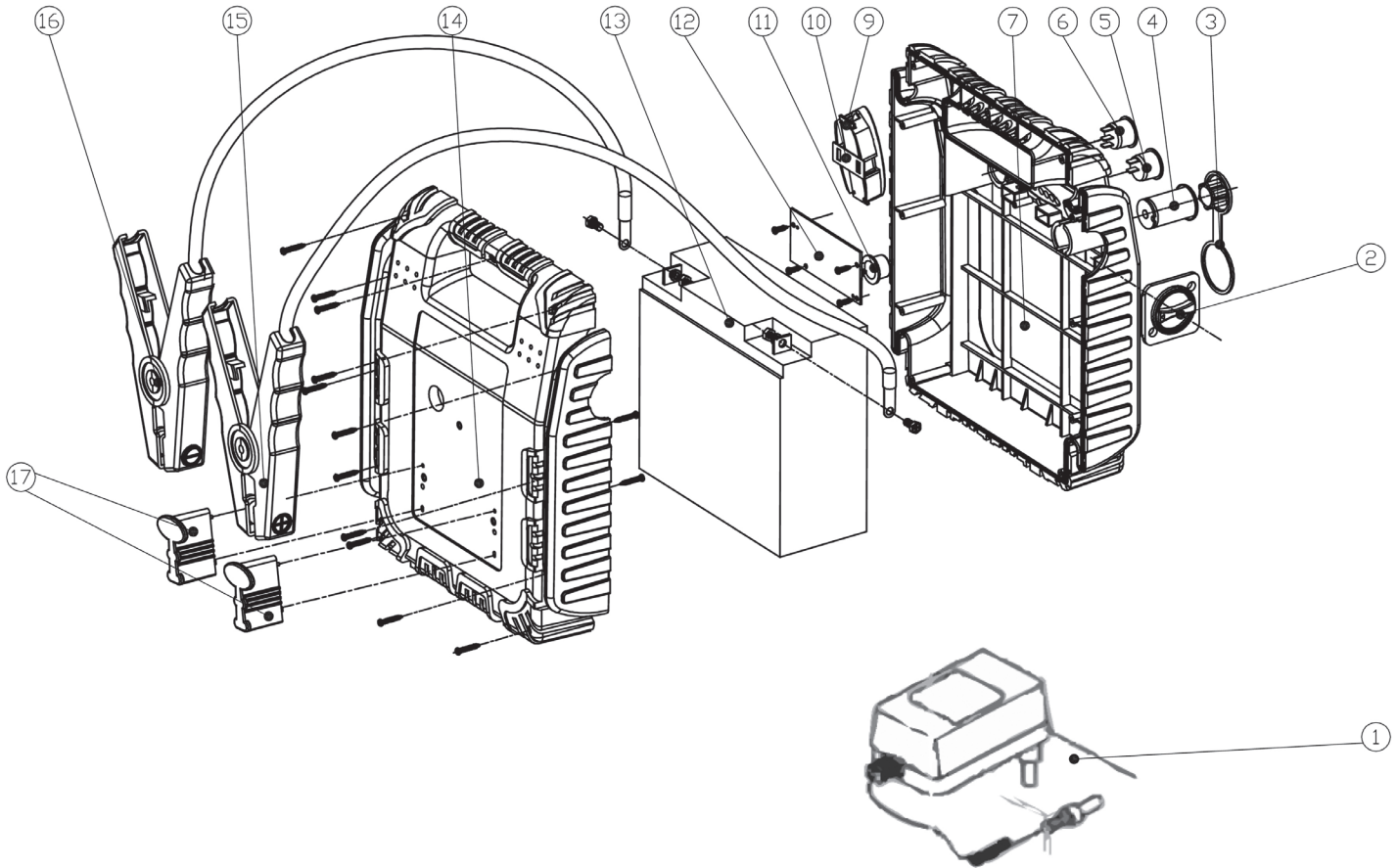




Parts Information:
RoadStart® Emergency Power Pack 12V
900 Peak Amps
Model No: RS131.V5



Item	Part No.	Description
1	BF-74516	AC ADAPTOR
2	BF-74515	SAFETY ON/OFF SWITCH
3	BF-74514	CIGARETTE SOCKET COVER
4	BF-74513	CIGARETTE SOCKET
5	BF-74512	2 POSITION SWITCH
6	BF-74512A	3 POSITION SWITCH
7	BF-74511	BACK CASING
9+10	BF-74509-10	LED WORK LIGHT ASSEMBLY

Item	Part No.	Description
11	BF-74507	BATTERY TEST BUTTON
12	BF-74506	MAIN PCB
13	BF-74505	BATTERY 12V 14Ah
14	BF-74504	FRONT CASING
15	BF-74503	RED CLAMP WITH 6AWG CABLE
16	BF-74502	BLACK CLAMP WITH 6AWG CABLE
17	BF-74501	CLAMP HOLDER

NOTE: It is our policy to continually improve products and as such we reserve the right to alter data, specifications and component parts without prior notice.

IMPORTANT: No liability is accepted for incorrect use of product.

WARRANTY: Guarantee is 12 months from purchase date, proof of which will be required for any claim.

Sealey Group, Kempson Way, Suffolk Business Park, Bury St Edmunds, Suffolk. IP32 7AR



01284 757500



01284 703534



sales@sealey.co.uk



www.sealey.co.uk