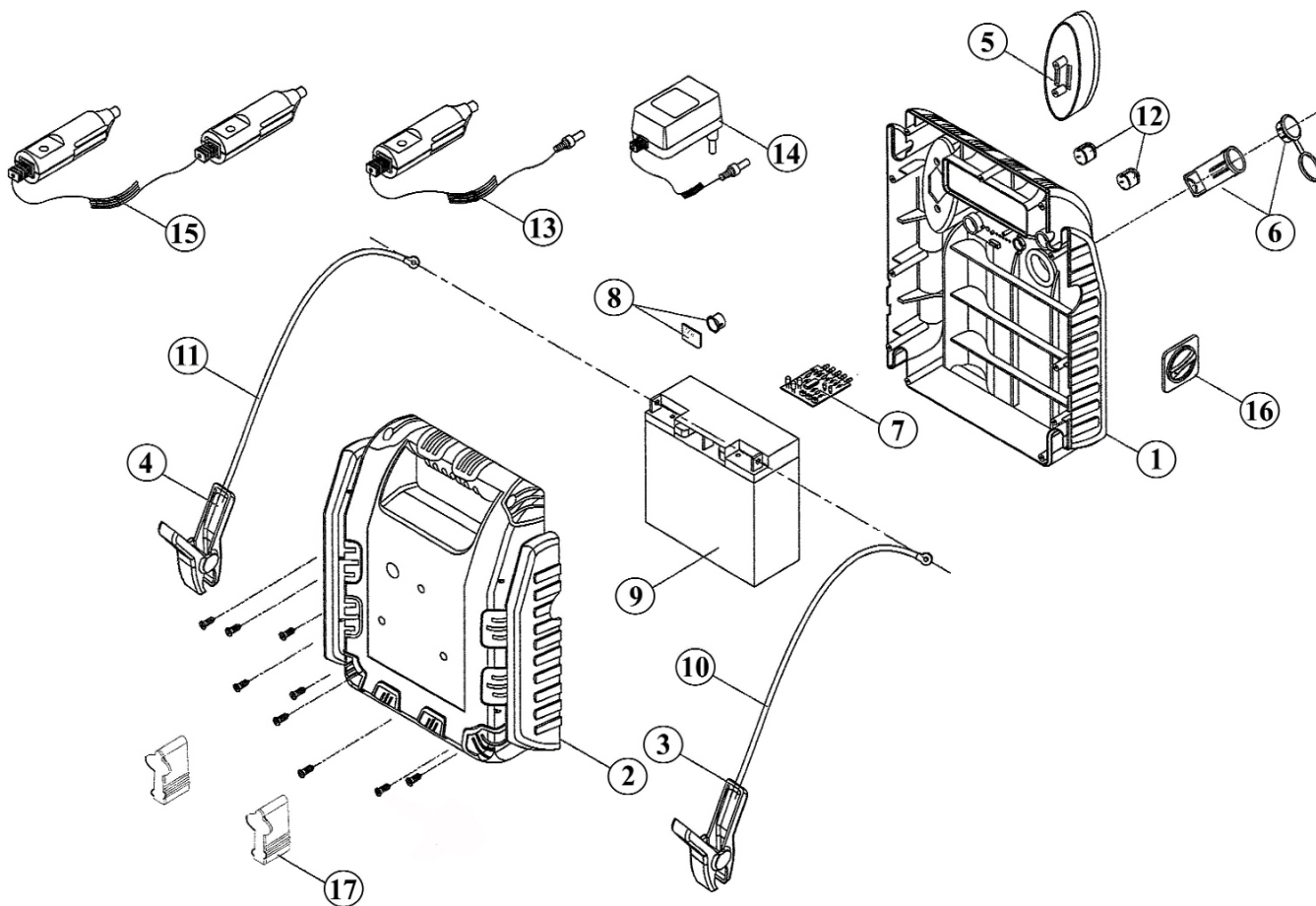




Parts Information:
RoadStart® Emergency Jump Starter 12V
900 Peak Amps
Model No: RS131.V4



Item	Part No.	Description
1	P-74501	FRONT BODY
2	P-74502	BACK BODY
3	P-89504	CLAMP (POSITIVE)
4	P-89505	CLAMP (NEGATIVE)
5	P-89506N	LED WORK LIGHT ASS'Y
6	P-89507	12 VOLT OUTLET ASS'Y
7	B-74501	MAIN PCB
8	B-74502	PCB
9	RS1/B	BATTERY 12V 17 AH

Item	Part No.	Description
10	E-89502	CABLE (POSITIVE) ASS'Y (INC CLAMP)
11	BF-74502	BLACK CLAMP WITH 6AWG CABLE
12	E-89504	SWITCH
13	E-89505	AC CHARGER (MAINS) 12V 500MA
14	LED3007.02	IN CAR CHARGER
15	E-89507	DC EXTENSION CORD
16	BF-74515	SAFETY ON/OFF SWITCH
17	P-74508	CLAMP HOLDER

NOTE: It is our policy to continually improve products and as such we reserve the right to alter data, specifications and component parts without prior notice.

IMPORTANT: No liability is accepted for incorrect use of product.

WARRANTY: Guarantee is 12 months from purchase date, proof of which will be required for any claim.

Sealey Group, Kempson Way, Suffolk Business Park, Bury St Edmunds, Suffolk. IP32 7AR



01284 757500



01284 703534



sales@sealey.co.uk



www.sealey.co.uk