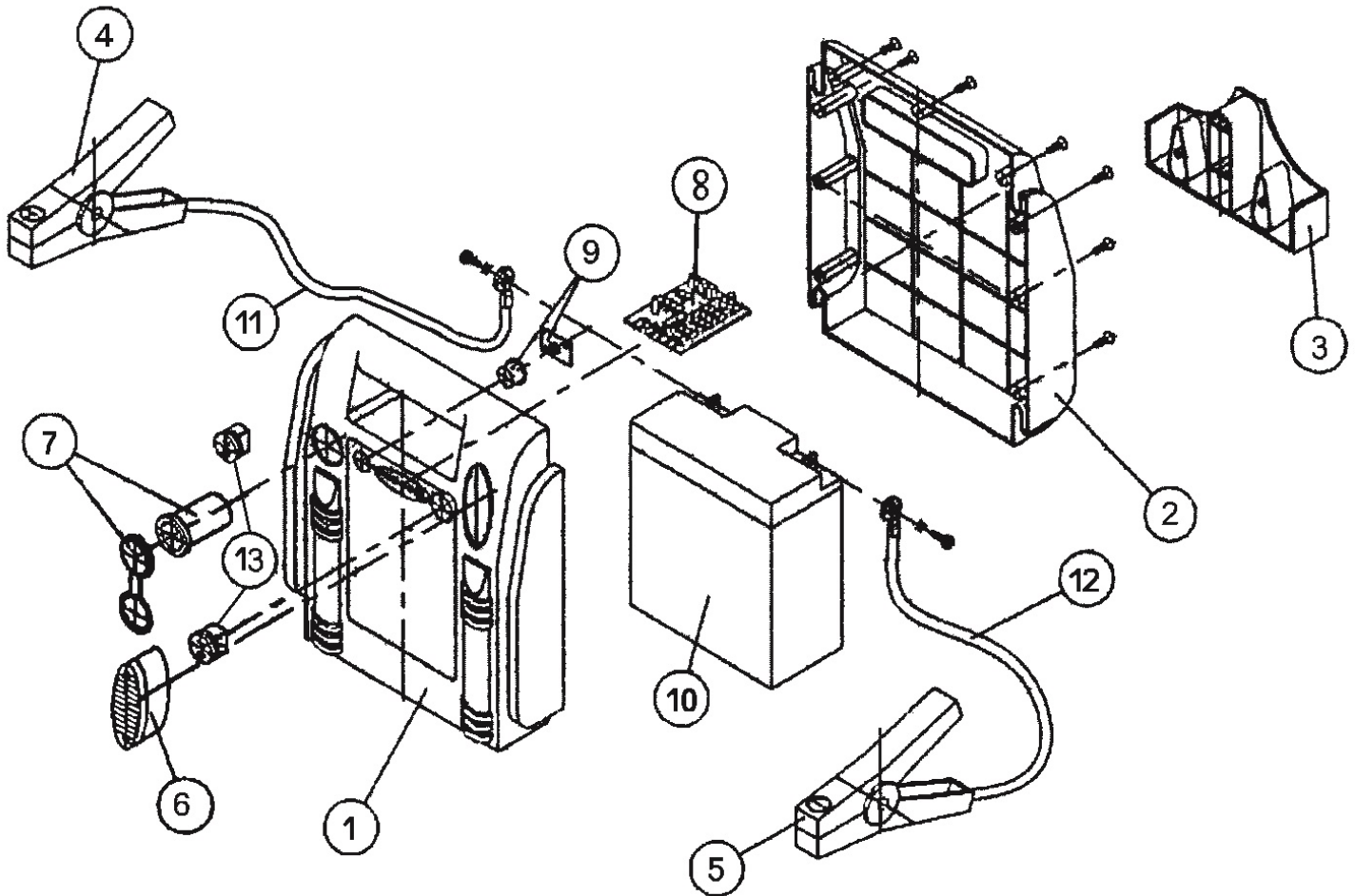




Parts Information:
RoadStart® Emergency Power Pack 12V
900 Peak Amps
Model No: RS131.V2



Item	Part No.	Description
1	P-89501	Front Body
2	P-89502	Back Body
3	P-89503	Clamp Holder
4	P-89504	Clamp (Positive)
5	P-89505	Clamp (Negative)
6	P-89506	Work Light Ass'y
7	P-89507	12 Volt Outlet Ass'y
8	B-89501	PCB Ass'y
9	B-89502	PCB Ass'y
10	RS1/B	Battery 12V 17 AH

Item	Part No.	Description
11	E-89502	Cable (Positive) Ass'y (Inc Clamp)
12	BF-74502	Black Clamp With 6AWG Cable
13	E-89504	Switch
--	E-89505	AC Charger (Mains) 12V 500MA (NOT SHOWN)
--	E-89506	DC Charger Ass'y (Car) (NOT SHOWN)
--	E-89507	DC Extension Cord (NOT SHOWN)
--	P-89508	Solenoid (NOT SHOWN)
--	P-89509	Polarity Protection With PCB (NOT SHOWN)
--	LED3007.02	In Car Charger (NOT SHOWN)
--	C-89504	Polyfoam (NOT SHOWN)

NOTE: It is our policy to continually improve products and as such we reserve the right to alter data, specifications and component parts without prior notice.

IMPORTANT: No liability is accepted for incorrect use of product.

WARRANTY: Guarantee is 12 months from purchase date, proof of which will be required for any claim.

Sealey Group, Kempson Way, Suffolk Business Park, Bury St Edmunds, Suffolk. IP32 7AR



01284 757500



01284 703534



sales@sealey.co.uk



www.sealey.co.uk