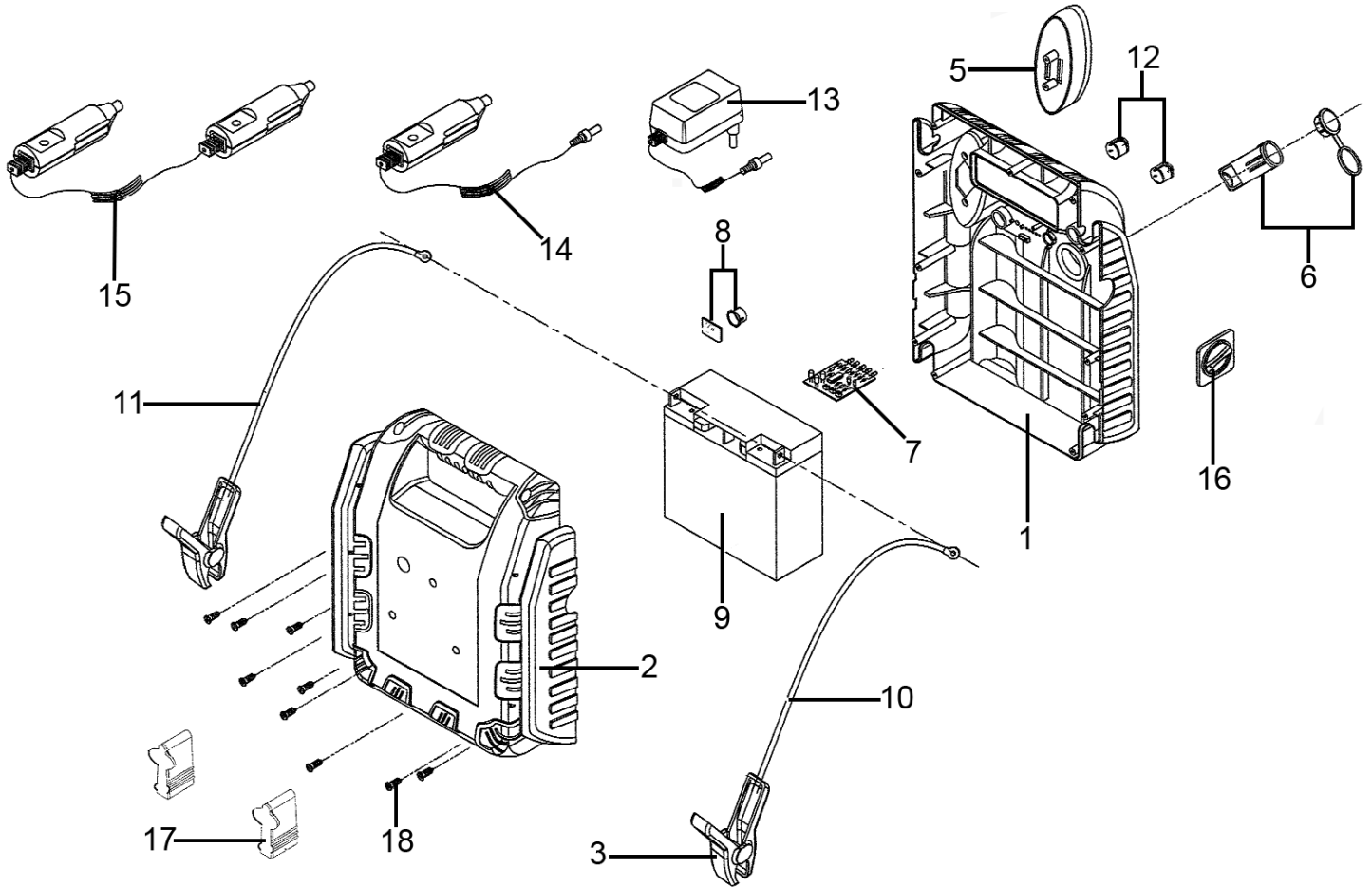




Parts Information:
RoadStart® Emergency Jump Starter 12V
900 Peak Amps
Model No: RS131.V3



Item	Part No.	Description
1	P-74501	Front Body
2	P-74502	Rear Body
3	P-89504	Clamp, Positive
5	P-89506	Work Light Assembly
6	P-89507	Socket Assembly, In Car Charger
7	B-74501	Main PCB
8	B-74502	PCB
9	RS1312HV.20	Batter
10	E-89502	Cable Assembly, Positive (c/w Clamp)

Item	Part No.	Description
11	BF-74502	Clamp, Negative (c/w Cable)
12	E-89504	Switch, Power Rocker
13	RS1312HV.C	Mains Charger
14	LED3007.02	In Car Charger
15	E-89507	Extension Cord, DC
16	BF-74515	Safety Switch, Rotary
17	P-74508	Clamp Holder
18	P-SCREW	Rd Head S/T Screw M3 x 15mm
--	P-89505	Clamp, Negative (Not Shown)

NOTE: It is our policy to continually improve products and as such we reserve the right to alter data, specifications and component parts without prior notice. There may be alternative versions of this product, please contact us should you require this information.

IMPORTANT: No liability is accepted for incorrect use of product. Spare parts must be fitted by a competent person

WARRANTY: Guarantee is 12 months from purchase date, proof of which will be required for any claim.

Sealey Group, Kempson Way, Suffolk Business Park, Bury St Edmunds, Suffolk. IP32 7AR



01284 757500



01284 703534



sales@sealey.co.uk



www.sealey.co.uk