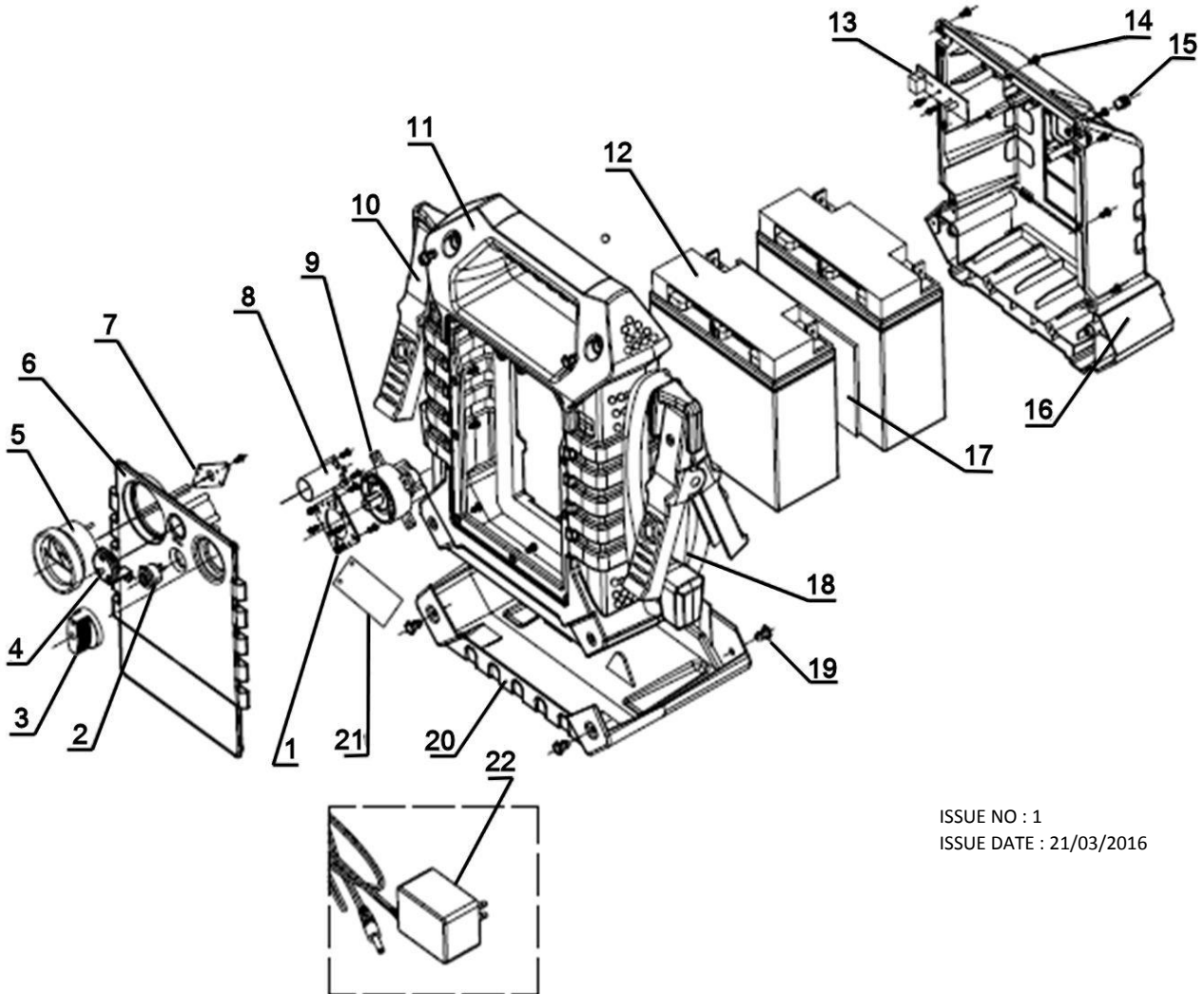




PARTS FOR :
ROADSTART EMERGENCY POWER PACK
 12/24V 3000/1500 PEAK Amps
MODELS: RS125.V3



ISSUE NO : 1
 ISSUE DATE : 21/03/2016

ITEM	PART NO	DESCRIPTION	ITEM	PART NO	DESCRIPTION
1	RS122.01	ON/OFF SWITCH FIX PLATE	13	RS125.13	PCB FOR CHARGING
	RS122.01A	SCREW FOR FIX PLATE	14	RS125.14	SCREW
2	RS122.02	VOLTAGE TEST SWITCH	15	RS125.15	SOCKET FOR CHARGER
3	RS125.03	ON/OFF SWITCH KNOB	16	RS125.16	REAR HOUSING
4	RS122.04	CIGARETTE COVER	17	RS125.17	BOARD FOR BATTERY JOIN
5	RS122.05	VOLTAGE METER	18	RS125.10A	NEGATIVE CLAMP AND CABLE
6	RS125.V3-06	FRONT PANEL	19	RS125.19	SCREW
7	RS122.07	VOLTAGE METER FIX PLATE	20	RS125.20	RUBBER CUSHION
8	RS122.08	CIGERETTE SOCKET	21	RS125.V3-21	PCB FOR CHARGING
9	RS125.09	12/24V SWITCH	22	RS125.C	MAINS CHARGER 12V 1A
10	RS125.10	POSITIVE CLAMP AND CABLE		RS122.27	CIGARETTE CABLE (NOT SHOWN)
11	RS122.11	BODY CASE		RS122.28	STUD (NOT SHOWN)
12	RS125.V3-12	BATTERY 22AH		RS125.SP	SWITCH PROTECTION (NOT SHOWN)



Sole UK Distributor,
 Sealey Group, Kempson Way,
 Suffolk Business Park,
 Bury St Edmunds, Suffolk, IP32 7AR



01284 757500



01284 703534



www.sealey.co.uk



sales@sealey.co.uk