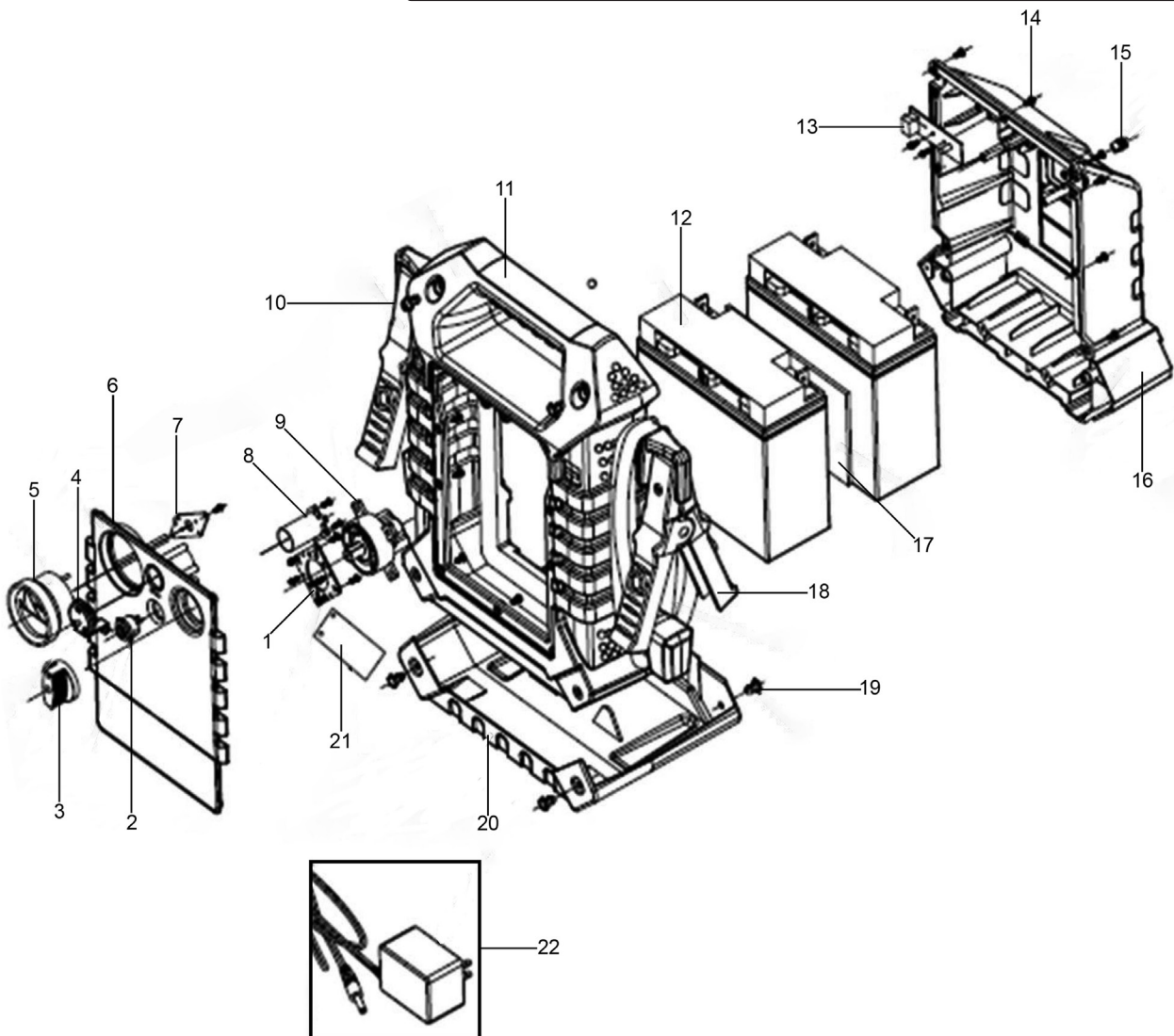




Parts Information:
RoadStart® Emergency Jump Starter
12/24V 3000/1500 Peak Amps
Model No: RS125.V3



Item	Part No.	Description
1	RS122.01	Fixing Plate, Power Switch
2	RS122.02	Switch, Voltage Test
3	RS125.03	Knob, Power Switch
4	RS122.04	Cover, Cigarette Lighter Socket
5	RS122.05	Voltmeter
6	RS125.V3-06	Front Panel
7	RS122.07	Fixing Plate, Voltmeter
8	RS122.08	Socket, Cigarette Lighter
9	RS125.09	Switch, Rotary Voltage (c/w Knob)
10	RS125.10	Clamp, Positive (c/w Cable)
11	RS125.V3-11	Housing, Front
12	RS125.12	Battery
13	RS125.13	PCB, Charging Socket
14	RS125.14	Rd Head S/T Screw M3.8 x 16mm Black

Item	Part No.	Description
15	RS125.15	Socket, Charger
16	RS125.V4-19	Housing, Rear
17	RS125.17	Foam Tape, Battery
18	RS125.10A	Clamp, Negative (c/w Cable)
19	RS125.19	Rd Head S/T Screw M4.6 x 10mm
20	RS125.20	Rubber Cushion
21	RS125.V3-21	PCB, Cigarette Lighter Socket
22	RS125.C	Mains Charger
--	SMT180.38	Rd Head S/T Screw M3 x 10mm Black (Not Shown)
--	RS125.10XD	Lead, Positive (c/w Inline Diode)(Not Shown)
--	RS122.27	Cable, Cigarette Lighter (Not Shown)
--	RS122.28	Stud (Not Shown)
--	RS125.SP	Cover, Switch (Not Shown)

NOTE: It is our policy to continually improve products and as such we reserve the right to alter data, specifications and component parts without prior notice. There may be alternative versions of this product, please contact us should you require this information.

IMPORTANT: No liability is accepted for incorrect use of product. Spare parts must be fitted by a competent person

WARRANTY: Guarantee is 12 months from purchase date, proof of which will be required for any claim.

Sealey Group, Kempson Way, Suffolk Business Park, Bury St Edmunds, Suffolk. IP32 7AR



01284 757500



01284 703534



sales@sealey.co.uk



www.sealey.co.uk