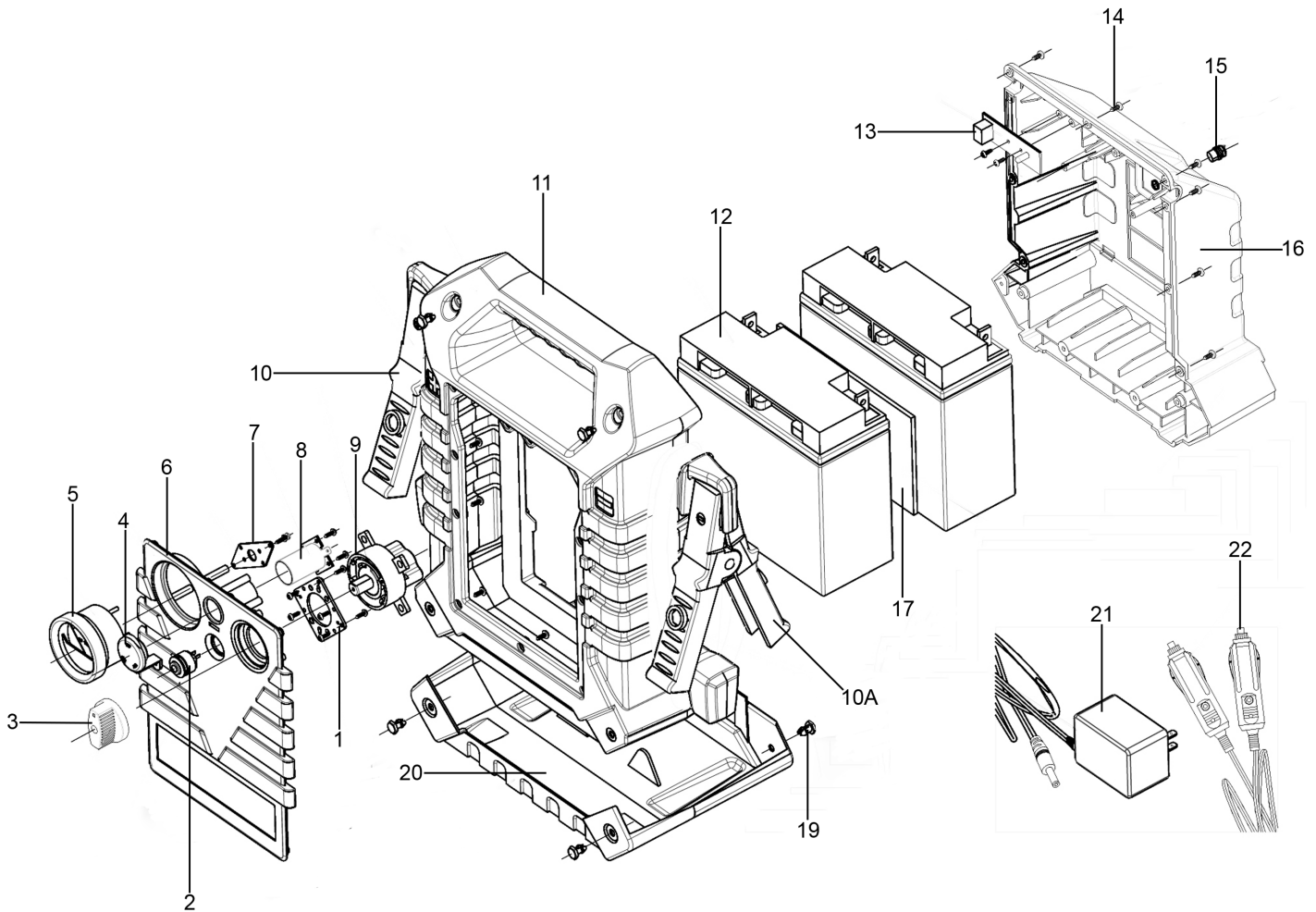




Parts Information:  
**RoadStart® Emergency Power Pack 12/24V**  
**3000/1500 Peak Amps**  
**Model No: RS125**



Item	Part No.	Description
1	RS122.01	Fixing Plate, Power Switch
2	RS122.02	Test Switch, Voltage
3	RS125.03	Knob, Power Switch
4	RS122.04	Cover, Cigarette Lighter Socket
5	RS122.05	Voltmeter
6	RS125.06	Front Panel
7	RS122.07	Fixing Plate, Voltmeter
8	RS122.08	Socket, Cigarette Lighter
9	RS125.09	Switch, Rotary Voltage (c/w Knob)
10	RS125.10	Clamp, Positive (c/w Cable)
10A	RS125.10A	Clamp, Negative (c/w Cable)
11	RS122.11	Body Case
12	RS125.12	Battery
13	RS125.13	PCB, Charger

Item	Part No.	Description
14	RS125.14	Rd Head S/T Screw M3.8 x 16mm Black
15	RS125.15	Socket, Charger
16	RS125.V4-19	Housing, Rear
17	RS125.17	Foam Tape, Battery
19	RS125.19	Rd Head S/T Screw M4.6 x 10mm
20	RS125.20	Rubber Cushion
21	RS125.C	Mains Charger
22	RS122.27	Cigarette Cable
--	RS125.10XD	Lead, Positive (c/w Inline Diode)(Not Shown)
--	RS125.B	Label, Rear (Not Shown)
--	RS125.F	Label, Front (Not Shown)
--	RS122.28	Stud (Not Shown)
--	RS125.SP	Cover, Switch (Not Shown)

**NOTE:** It is our policy to continually improve products and as such we reserve the right to alter data, specifications and component parts without prior notice. There may be alternative versions of this product, please contact us should you require this information.

**IMPORTANT:** No liability is accepted for incorrect use of product. Spare parts must be fitted by a competent person

**WARRANTY:** Guarantee is 12 months from purchase date, proof of which will be required for any claim.

Sealey Group, Kempson Way, Suffolk Business Park, Bury St Edmunds, Suffolk. IP32 7AR



01284 757500



01284 703534



sales@sealey.co.uk



www.sealey.co.uk