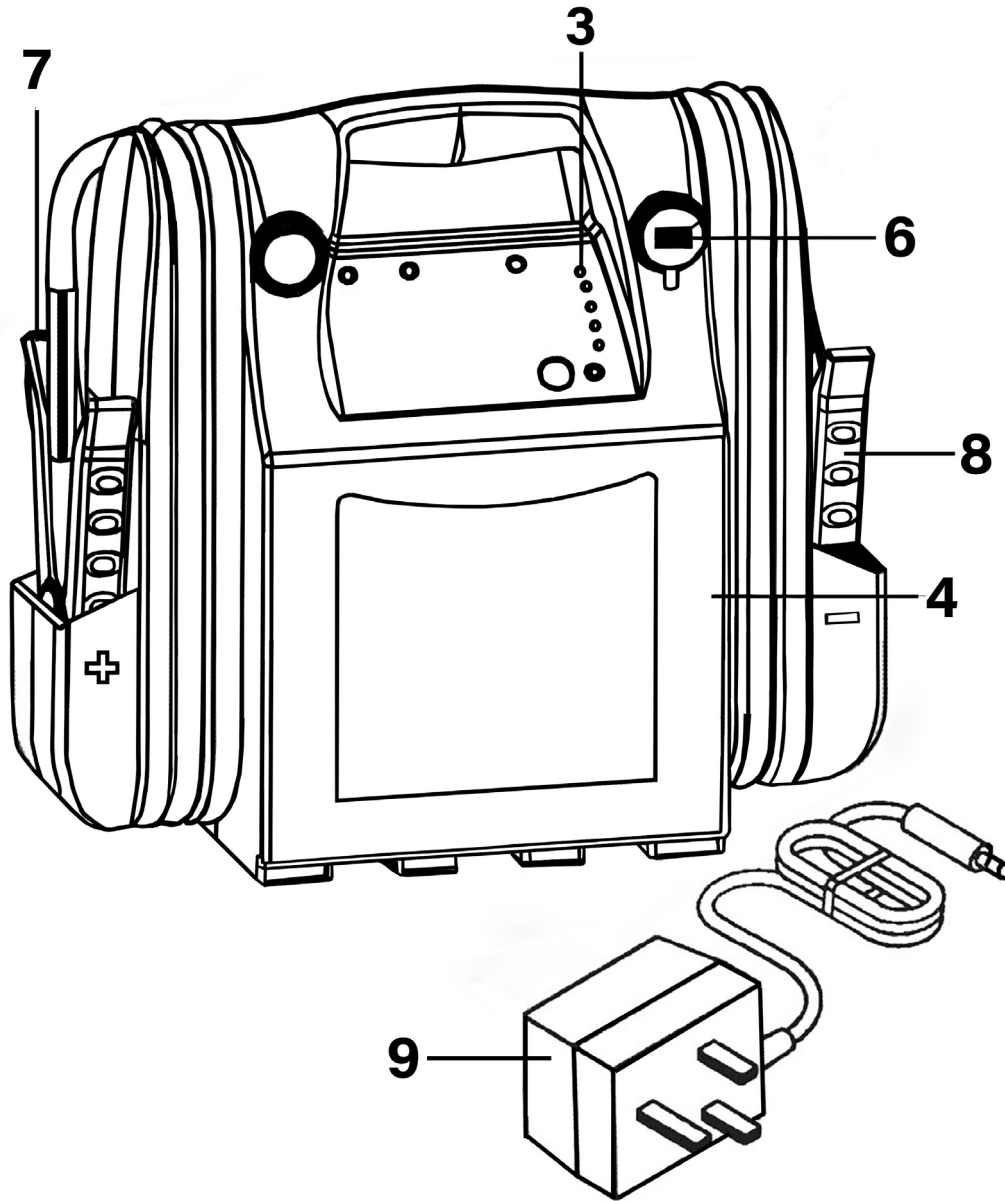




Parts Information:  
**RoadStart® Emergency Jump Starter**  
**12V 3200 Peak Amps**  
**Model No: RS103.V3**



Item	Part No.	Description
3	RS103.02	Led Display Label
4	RS103.V3-C	Casing, Complete (Front And Back)
6	RS103.06	Cigarette Lighter Socket (c/w Cap)
7	RS103.07	Heavy Duty Clamp & Cable (Negative)
8	RS103.08	Heavy Duty Clamp & Cable (Positive)
9	RS10AUA	Universal Adaptor 1.0A 15V

Item	Part No.	Description
--	RS103.10	Extension Cord (Not Shown)
--	RS103.11	Clamp Clips (Pair) (Not Shown)
--	RS1/B	Battery, 12v, 18ah (Lead Acid)(H:170 W:180 B:75) (Not Shown)
--	RS103.V2-03	Multiple LED Power Indicator (Not Shown)

**NOTE:** It is our policy to continually improve products and as such we reserve the right to alter data, specifications and component parts without prior notice. There may be alternative versions of this product, please contact us should you require this information.

**IMPORTANT:** No liability is accepted for incorrect use of product. Spare parts must be fitted by a competent person

**WARRANTY:** Guarantee is 12 months from purchase date, proof of which will be required for any claim.

**Sealey Group**, Kempson Way, Suffolk Business Park, Bury St Edmunds, Suffolk. IP32 7AR



01284 757500



sales@sealey.co.uk



www.sealey.co.uk