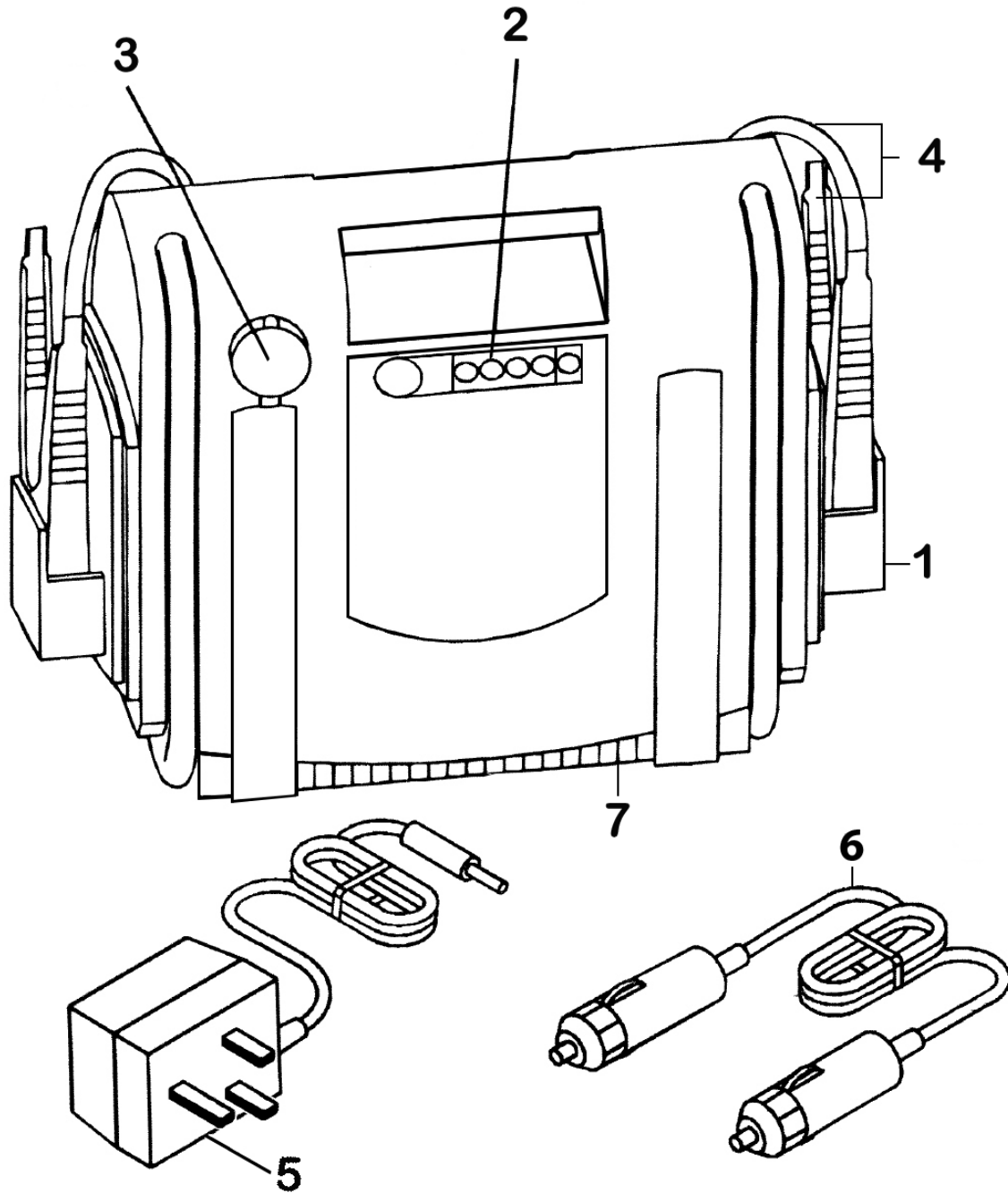




Parts Information:  
**RoadStart® Emergency Power Pack 12V**  
**1600 Peak Amps**  
**Model No: RS102.V2**



Item	Part No.	Description
1	RS1/1	Safety Storage Holster
2	RS1/2	Power Indicator Assembly
3	RS1/3	12v Charger Socket
4	RS102/4	Heavy duty clamps (Pair)
5	RS102.V2C	Wall Charger 1000ma

Item	Part No.	Description
6	RS1/6	Power Extension Cord (In-Car Charger)
7	RS102.7	Casing, Complete (Front and Back)
--	RS1/B	Battery 12v 17ah (Not Shown)
--	RS102.L	Front Label For RS102 (Not Shown)
--	RS102.L1	Back Label For RS102 (Not Shown)

**NOTE:** It is our policy to continually improve products and as such we reserve the right to alter data, specifications and component parts without prior notice. There may be alternative versions of this product, please contact us should you require this information.

**IMPORTANT:** No liability is accepted for incorrect use of product. Spare parts must be fitted by a competent person

**WARRANTY:** Guarantee is 12 months from purchase date, proof of which will be required for any claim.

**Sealey Group**, Kempson Way, Suffolk Business Park, Bury St Edmunds, Suffolk. IP32 7AR



01284 757500



01284 703534



sales@sealey.co.uk



www.sealey.co.uk