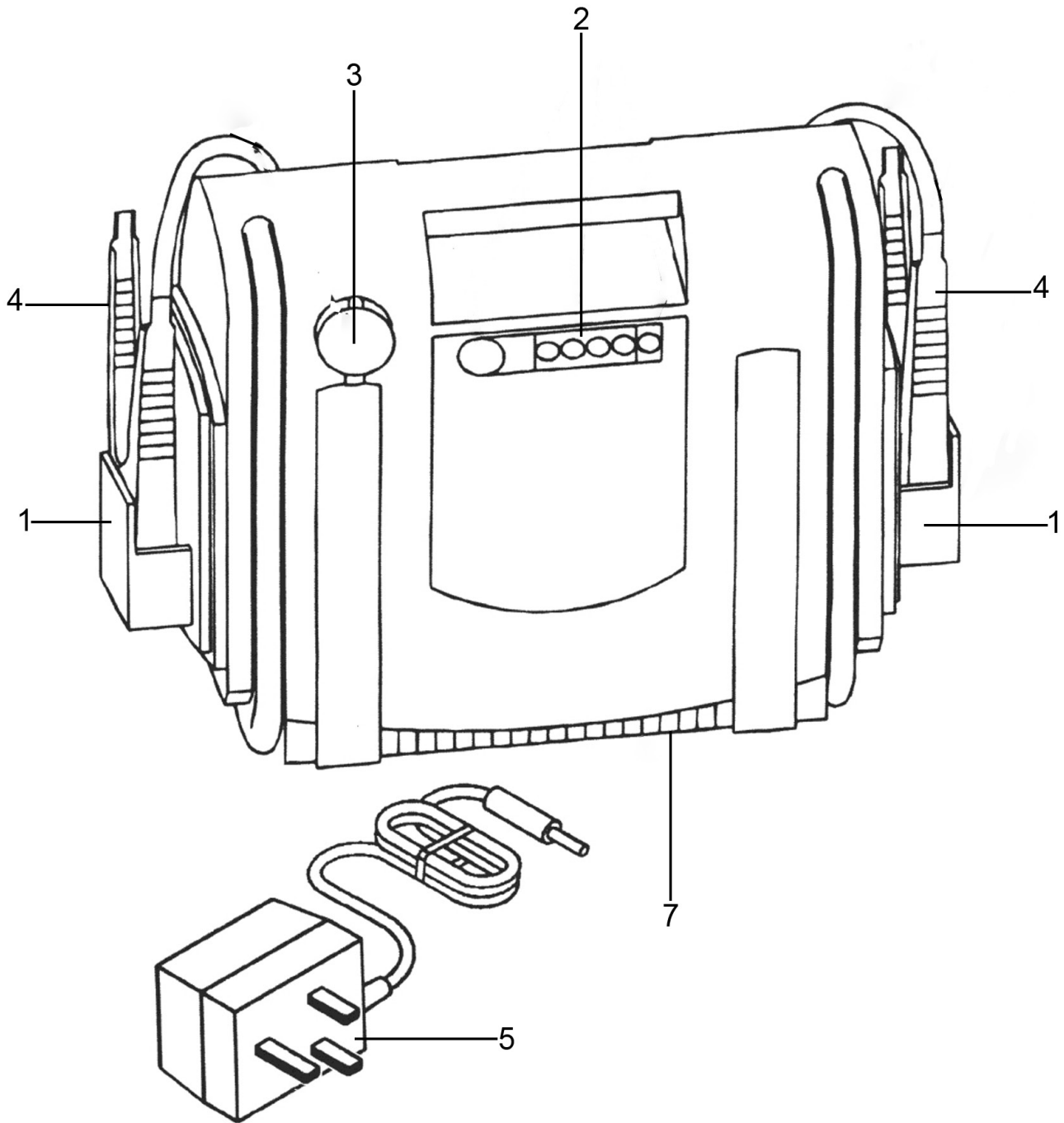




Parts Information:  
**RoadStart® Emergency Jump Starter 12V**  
**1000 Peak Amps**  
**Model No: RS1.V5**



Item	Part No.	Description
1	RS1/1	Safety Storage Holster
2	RS1.V4-02	Power Indicator Assembly
3	RS1/3	Charger Socket 12V
4	RS1/4	Heavy Duty Clamps (Pair)
5	RS10AUA	Universal Adaptor

Item	Part No.	Description
7	RS1.V5-C	Casing
--	RS1/6	Extension Cord, In Car Charger (Not Shown)
--	RS1/B	Battery (Not Shown)
--	RS08AEU	Adaptor, Euro 2-pin (Not Shown)
--	RS102.V2C	Wall Charger (Not Shown)

**NOTE:** It is our policy to continually improve products and as such we reserve the right to alter data, specifications and component parts without prior notice. There may be alternative versions of this product, please contact us should you require this information.

**IMPORTANT:** No liability is accepted for incorrect use of product. Spare parts must be fitted by a competent person

**WARRANTY:** Guarantee is 12 months from purchase date, proof of which will be required for any claim.

**Sealey Group**, Kempson Way, Suffolk Business Park, Bury St Edmunds, Suffolk. IP32 7AR



01284 757500



01284 703534



sales@sealey.co.uk



www.sealey.co.uk