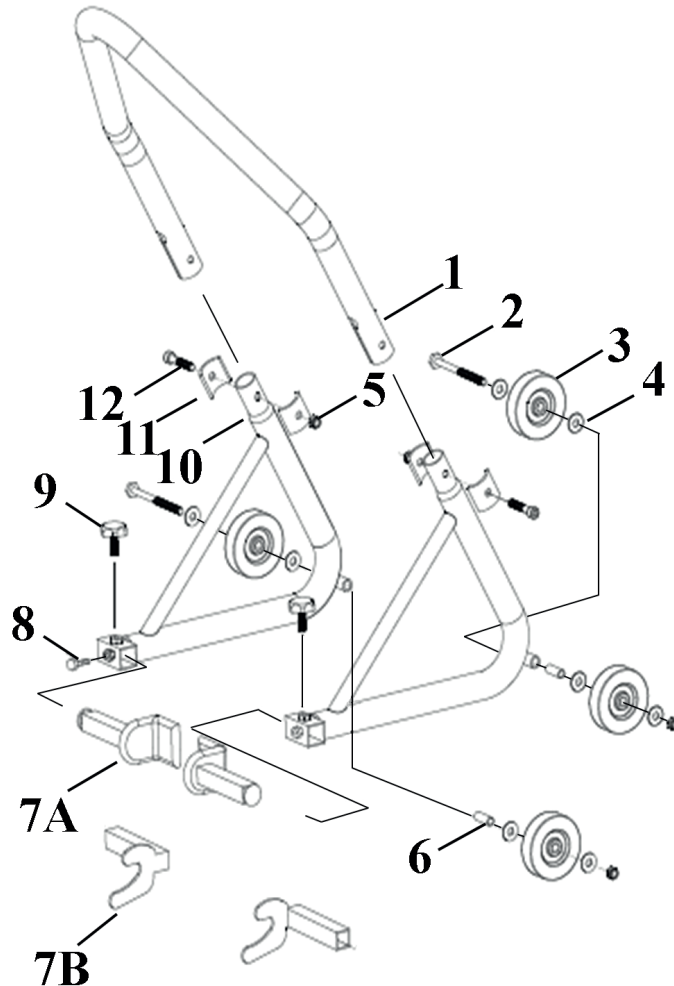


Parts Information:
Universal Rear Wheel Stand with Rubber Supports and Bobbin Supports
Model No: RPS1.V4



| Item | Part No. | Description |
|------|-------------|---------------|
| 1 | RPS1.V4-01 | FRAME (UPPER) |
| 2 | RPS1.V4-02 | WHEEL BOLT |
| 3 | RPS1.V4-03 | WHEEL |
| 4 | RPS1.V4-04 | WASHER |
| 5 | RPS1.V4-05 | NUT |
| 6 | RPS1.V4-06 | WHEEL BUSH |
| 7A | RPS1.V4-07A | LOCATING BAR |

| Item | Part No. | Description |
|------|-------------|---------------|
| 7B | RPS1.V4-07B | LOCATING BAR |
| 8 | RPS1.V4-08 | BOLT |
| 9 | RPS1.V4-09 | THREADED KNOB |
| 10 | RPS1.V4-10 | FRAME (LOWER) |
| 11 | RPS1.V4-11 | FRAME COVER |
| 12 | RPS1.V4-12 | FRAME BOLT |

NOTE: It is our policy to continually improve products and as such we reserve the right to alter data, specifications and component parts without prior notice.

IMPORTANT: No liability is accepted for incorrect use of product.

WARRANTY: Guarantee is 12 months from purchase date, proof of which will be required for any claim.