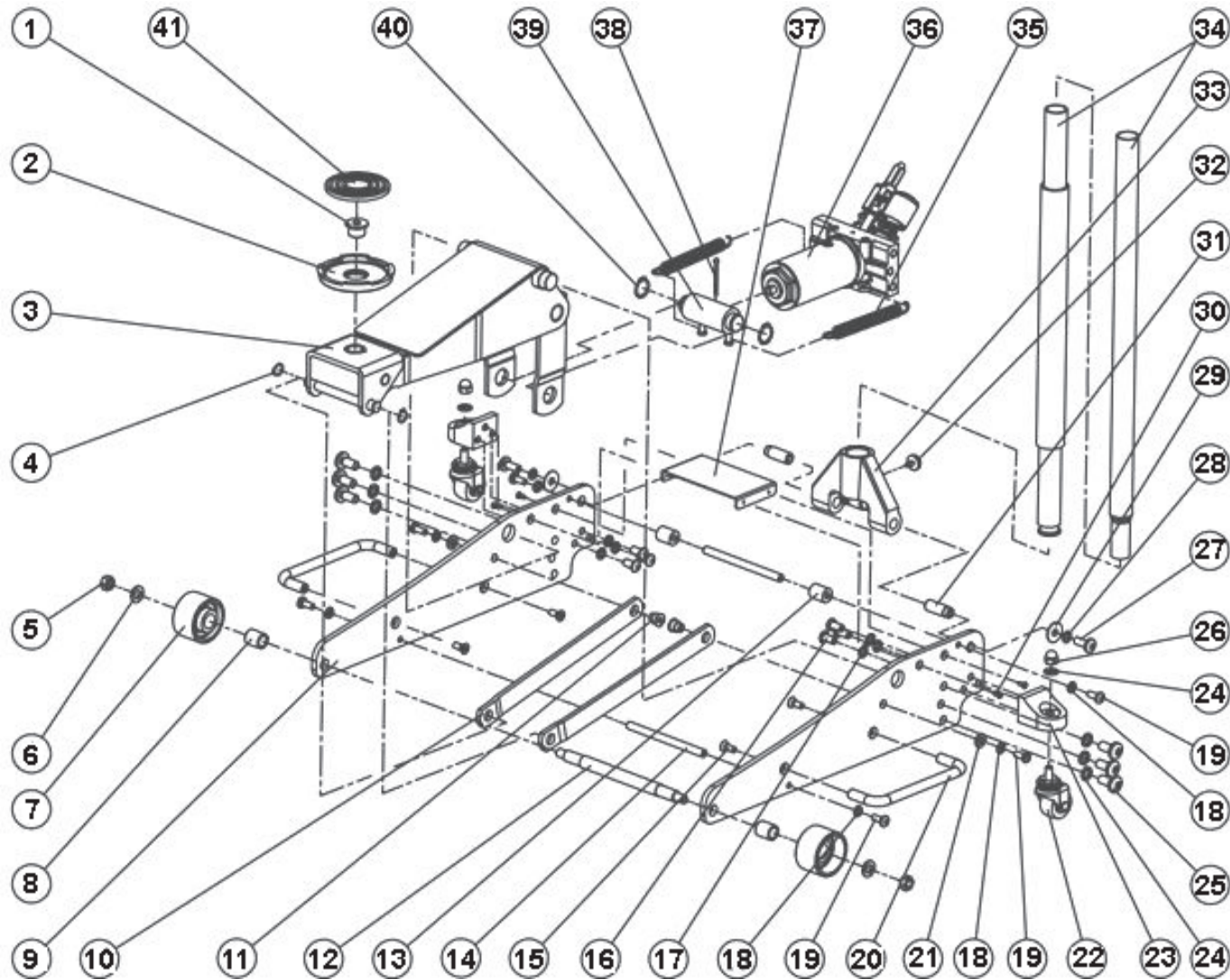




Parts Information:
Trolley Jack 2.5tonne Aluminium/Steel Rocket Lift
Model No: RJAS2500.V2



NOTE: It is our policy to continually improve products and as such we reserve the right to alter data, specifications and component parts without prior notice.

IMPORTANT: No liability is accepted for incorrect use of product.

WARRANTY: Guarantee is 12 months from purchase date, proof of which will be required for any claim.

Sealey Group, Kempson Way, Suffolk Business Park, Bury St Edmunds, Suffolk. IP32 7AR



01284 757500



01284 703534



sales@sealey.co.uk



www.sealey.co.uk



Parts Information:
**Trolley Jack 2.5tonne Aluminium/Steel
Rocket Lift
Model No: Rjas2500.V2**

Item	Part No.	Description
1	RJAS2500V2.01	SADDLE SHAFT
2	RJAS2500V2.02	SADDLE
3	RJAS2500V2.03	LIFT ARM ASS'Y
4	RJAS2500V2.04	CIRCLIP
5	RJAS2500V2.05	NUT
6	RJAS2500V2.06	WASHER
7	RJAS2500V2.07	WHEEL,FRONT FIXED (66x22x40)
8	RJAS2500V2.08	FRONT WHEEL SLEEVE
9	RJAS2500V2.09	SIDE PLATE
10	RJAS2500V2.10	LINKAGE
11	RJAS2500V2.11	PIN
12	RJAS2500V2.12	FRONT WHEEL SHAFT
13	RJAS2500V2.13	RUBBER BUSH
14	RJAS2500V2.14	SIDE HANDLE ROD
15	MSCS820.S	CSK SOCKET MACHINE SCREW M8x20 (SINGLE)
16	BHSS1020.S	BUTTON HEAD SOCKET SCREW M10x20 ZINC
17	RJAS2500V2.17	WASHER
18	RJAS2500V2.18	WASHER
19	BHSS820.S	BUTTON HEAD SOCKET SCREW M8x20 ZINC
20	RJAS2500V2.20	SIDE HANDLE

Item	Part No.	Description
21	RJAS2500V2.21	WASHER
22	RJAS2500V2.22	WHEEL,REAR CASTOR (45x9x23x68)
23	RJAS2500V2.23	REAR WHEEL FRAME
24	RJAS2500V2.24	WASHER
25	RJAS2500V2.25	SCREW
26	RJAS2500V2.26	NUT
27	RJAS2500V2.27	BOLT
28	RJAS2500V2.28	WASHER
29	RJAS2500V2.29	WASHER
30	RJAS2500V2.30	SCREW
31	RJAS2500V2.31	HANDLE SOCKET SHAFT
32	RJAS2500V2.32	HANDLE SOCKET SCREW
33	RJAS2500V2.33	HANDLE SOCKET
34	RJAS2500V2.34	HANDLE ASS'Y
35	RJAS2500V2.35	RETURN SPRING
36	RJAS2500V2.36	POWER UNIT ASS'Y
37	RJAS2500V2.37	COVER PLATE
38	RJAS2500V2.38	PIN
39	RJAS2500V2.39	UNIVERSAL JOINT SAFT
40	RJAS2500V2.40	CIRCLIP
41	RJAS2500V2.41	SADDLE PAD

NOTE: It is our policy to continually improve products and as such we reserve the right to alter data, specifications and component parts without prior notice.

IMPORTANT: No liability is accepted for incorrect use of product.

WARRANTY: Guarantee is 12 months from purchase date, proof of which will be required for any claim.

Sealey Group, Kempson Way, Suffolk Business Park, Bury St Edmunds, Suffolk. IP32 7AR



01284 757500



01284 703534

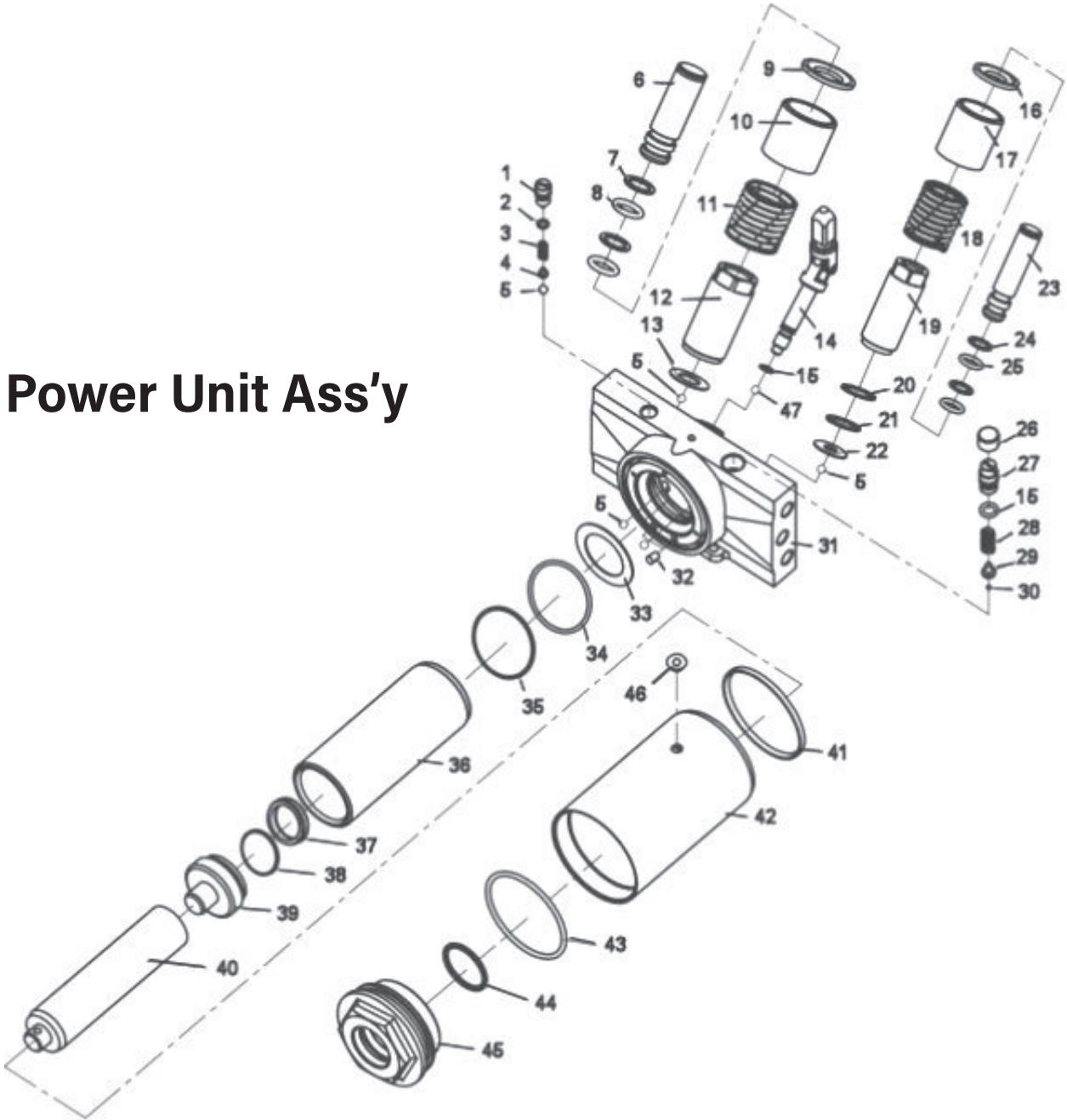


sales@sealey.co.uk



www.sealey.co.uk

Power Unit Ass'y



NOTE: It is our policy to continually improve products and as such we reserve the right to alter data, specifications and component parts without prior notice.

IMPORTANT: No liability is accepted for incorrect use of product.

WARRANTY: Guarantee is 12 months from purchase date, proof of which will be required for any claim.



Parts Information:
Trolley Jack 2.5tonne Aluminium/Steel
Rocket Lift
Model No: Rjas2500.V2

Power Unit Ass'y Parts

Item	Part No.	Description
1	RJAS2500V2P01	PLUG SCREW
2	RJAS2500V2P02	O-RING
3	RJAS2500V2P03	SPRING
4	RJAS2500V2P04	SPRING BASE
5	RJAS2500V2P05	STEEL BALL 5mm
6	RJAS2500V2P06	PLUNGER (LARGE)
7	RJAS2500V2P07	SPLIT WASHER
8	RJAS2500V2P08	O-RING
9	RJAS2500V2P09	WASHER M22
10	RJAS2500V2P10	SPRING COVER (LARGE)
11	RJAS2500V2P11	SPRING (LARGE)
12	RJAS2500V2P12	PUMP CYLINDER (LARGE)
13	RJAS2500V2P13	COPPER WASHER
14	RJAS2500V2P14	RELEASE VALVE
15	RJAS2500V2P15	O-RING
16	RJAS2500V2P16	WASHER M16
17	RJAS2500V2P17	SPRING COVER (SMALL)
18	RJAS2500V2P18	SPRING (SMALL)
19	RJAS2500V2P19	PUMP CYLINDER (SMALL)
20	RJAS2500V2P20	BACK-UP RING
21	RJAS2500V2P21	O-RING
22	RJAS2500V2P22	COPPER WASHER
23	RJAS2500V2P23	PLUNGER (SMALL)
24	RJAS2500V2P24	BACK-UP RING

Item	Part No.	Description
25	RJAS2500V2P25	O-RING
26	RJAS2500V2P26	VALVE CAP
27	RJAS2500V2P27	PLUG SCREW
28	RJAS2500V2P28	SPRING
29	RJAS2500V2P29	SPRING BASE
30	RJAS2500V2P30	STEEL BALL 3mm
31	RJAS2500V2P31	BASE
32	RJAS2500V2P32	FILTER SCREEN
33	RJAS2500V2P33	COPPER WASHER
34	RJAS2500V2P34	O-RING
35	RJAS2500V2P35	BACK-UP RING
36	RJAS2500V2P36	CYLINDER
37	RJAS2500V2P37	Y-RING
38	RJAS2500V2P38	BACK-UP RING
39	RJAS2500V2P39	PISTON
40	RJAS2500V2P40	PISTON ROD ASSEMBLY (37,38,39 & 40)
41	RJAS2500V2P41	T-WASHER
42	RJAS2500V2P42	RESERVOIR
43	RJAS2500V2P43	O-RING
44	RJAS2500V2P44	O-RING
45	RJAS2500V2P45	TOP CAP
46	RJAS2500V2P46	OIL FILLER PLUG
47	RJAS2500V2P47	STEEL BALL 6mm

NOTE: It is our policy to continually improve products and as such we reserve the right to alter data, specifications and component parts without prior notice.

IMPORTANT: No liability is accepted for incorrect use of product.

WARRANTY: Guarantee is 12 months from purchase date, proof of which will be required for any claim.

Sealey Group, Kempson Way, Suffolk Business Park, Bury St Edmunds, Suffolk. IP32 7AR



01284 757500



01284 703534



sales@sealey.co.uk



www.sealey.co.uk