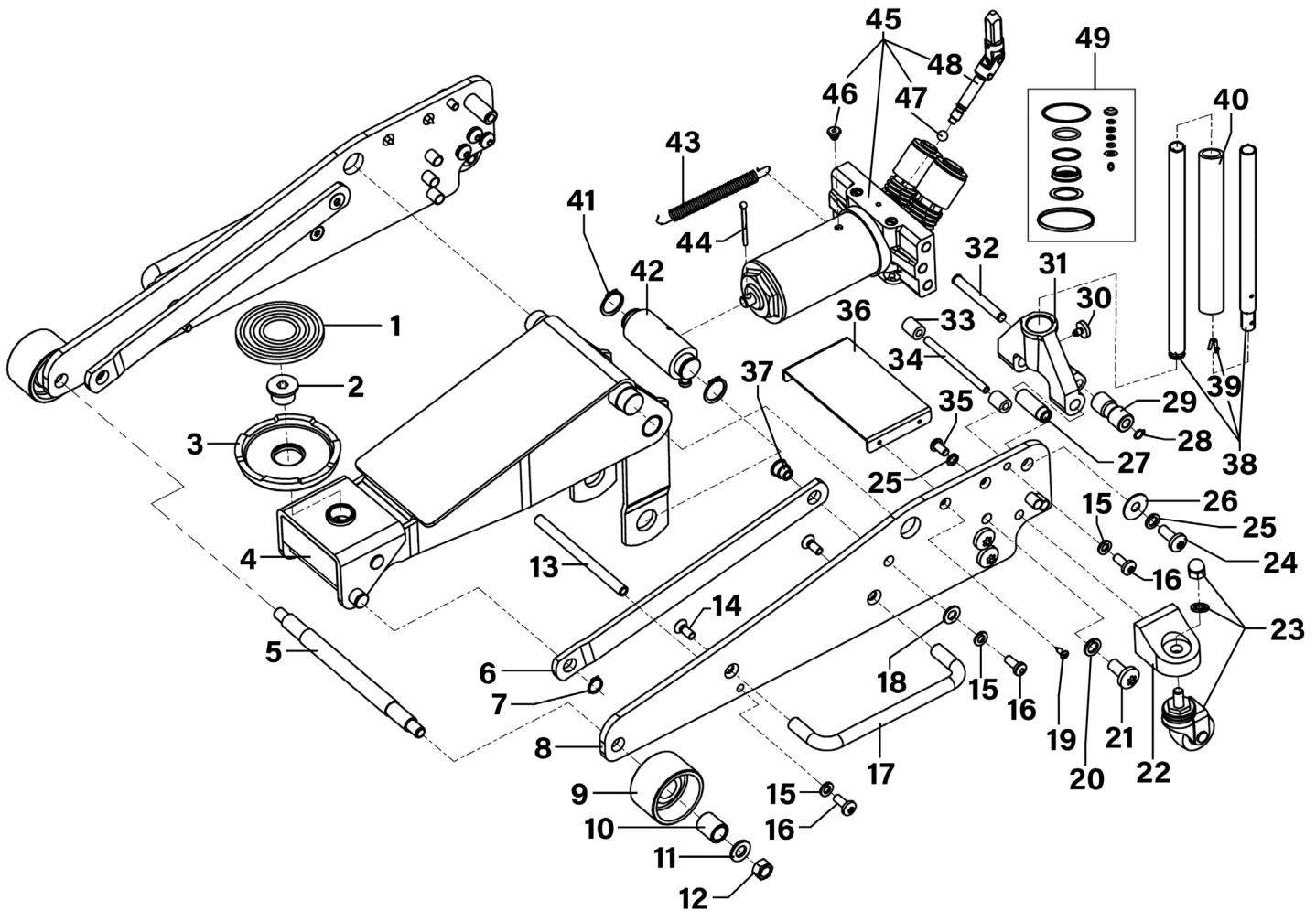


Parts Information:
**Trolley Jack 2.5 Tonne Aluminium/Steel
 Rocket Lift
 Model No: Rjas2500.V4**



Item	Part No.	Description	Qty
1	JP11	Safety Rubber Jack Pad - Type B	1
2	RJAS2500-V4-02	Saddle Pin	1
3	RJAS2500-V4-03	Saddle	1
4	RJAS2500-V4-04	Lifting Arm Assembly	1
5	RJAS2500-V4-05	Front Wheel Axle	1
6	RJAS2500-V4-06	Radius Link	2
7	RJA2500-V4-16	External Circlip Ø16mm	2
8	RJAS2500-V4-08	Side Frame	2
9	RJAS2500-V4-09	Front Wheel	2
10	RJAS2500-V4-10	Front Wheel Bush	2
11	FWM12.S	Flat Washer M12 Zinc	2
12	SN12.S	Steel Nut M12 Zinc	2
13	RJAS2500-V4-13	Positioning Rod	1
14	MSC820.S	Csk Phillips Machine Screw M8 X 20 Zinc	4
15	SWM8.S	Spring Washer M8 Zinc	6

Item	Part No.	Description	Qty
16	BHSS820.S	Button Head Socket Screw M8 X 20 Zinc	6
17	RJAS2500-V4-17	Carry Handle	2
18	FWM8.S	Flat Washer M8 Zinc	2
19	RJAS2500-V4-19	Self Tapping Screw M4 x 16mm	4
20	SWM12.S	Spring Washer M12 Zinc	6
21	BHSS1225.S	Button Head Socket Screw M12 X 25 Zinc	6
22	RJAS2500-V4-22	Rear Castor Bracket	2
23	RJAS2500-V4-23	Rear Castor Assembly	2
24	BHSS1025.S	Button Head Socket Screw M10 X 25 Zinc	2
25	SWM10.S	Spring Washer M10 Zinc	8
26	FWM10.S	Flat Washer M10 Zinc	2
27	RJAS2500-V4-27	Handle Socket Pin	2
28	RJA2500-V4-44	External Circlip Ø12mm	1

NOTE: It is our policy to continually improve products and as such we reserve the right to alter data, specifications and component parts without prior notice. There may be alternative versions of this product, please contact us should you require this information.

IMPORTANT: No liability is accepted for incorrect use of product. Spare parts must be fitted by a competent person

WARRANTY: Guarantee is 12 months from purchase date, proof of which will be required for any claim.



Parts Information:
**Trolley Jack 2.5 Tonne Aluminium/Steel
Rocket Lift
Model No: Rjas2500.V4**

Item	Part No.	Description	Qty
29	RJAS2500-V4-29	Handle Socket Roller	1
30	RJA2500-V4-42	Handle Socket Screw M10 x 19mm	1
31	RJAS2500-V4-31	Handle Socket	1
32	RJAS2500-V4-32	Handle Socket Pin (for Roller)	1
33	RJAS2500-V4-33	Nylon Sleeve	2
34	RJAS2500-V4-34	Limit Rod	1
35	BHSS1020.S	Button Head Socket Screw M10 X 20 Zinc	6
36	RJAS2500-V4-36	Cover Plate	1
37	RJAS2500-V4-37	Radius Link Pin	2
38	RJAS2500-V4-38	Handle Assembly	1
39	RJAS2500-V4-39	Handle Lock Button	1

Item	Part No.	Description	Qty
40	RJAS2500-V4-40	Handle Protection Foam	1
41	RJA2500-V4-08	External Circlip Ø25mm	2
42	RJAS2500-V4-42	Connecting Rod	1
43	RJAS2500-V4-43	Return Spring	2
44	RJA1550-V3-05	Spring Pin M4 x 45mm	1
45	RJAS2500-V4-45	Hydraulic Unit Assembly	1
46	RJAS2500-V4-46	Oil Filler Plug	1
47	SB-6.0	Steel Ball 6.0mm	1
48	RJAS2500-V4-48	Release Valve Assembly	1
49	RJAS2500-V4-RK	Repair Kit	1

NOTE: It is our policy to continually improve products and as such we reserve the right to alter data, specifications and component parts without prior notice. There may be alternative versions of this product, please contact us should you require this information.

IMPORTANT: No liability is accepted for incorrect use of product. Spare parts must be fitted by a competent person

WARRANTY: Guarantee is 12 months from purchase date, proof of which will be required for any claim.

Sealey Group, Kempson Way, Suffolk Business Park, Bury St Edmunds, Suffolk. IP32 7AR



01284 757500



sales@sealey.co.uk



www.sealey.co.uk