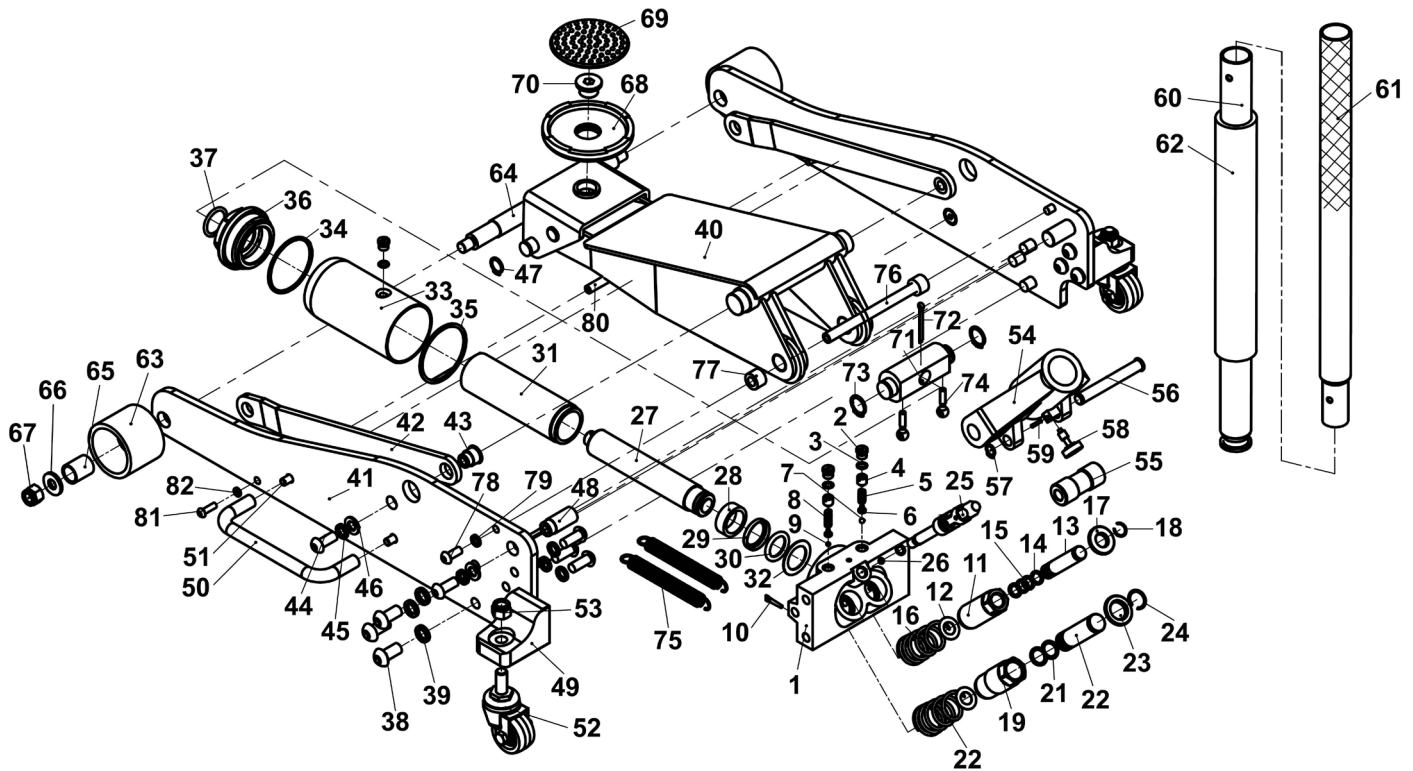


Parts Information:
**Trolley Jack 2.5tonne Aluminium/Steel
 Rocket Lift
 Model No: Rjas2500.V3**



Item	Part No.	Description
1	RJAS2500.V3-01	Base
2	RJAS2500.V3-02	Pressure Adjusting Screw (12xM10x1-11)
3	RJAS2500.V3-03	O-Ring (7.7x 1.9)
4	RJAS2500.V3-04	Pressure Adjusting Screw (M10x1x 3-12)
5	RJAS2500.V3-05	Spring
6	RJAS2500.V3-06	Steel Ball Base
7	SB-4.0	Steel ball 4.0mm
8	RJAS2500.V3-08	Spring
9	SB-5.0	Steel Ball 5.0mm
10	RJAS2500.V3-10	Filter
11	RJAS2500.V3-11	Pump Body (Small)
12	RJAS2500.V3-12	Pump Washer (Small)
13	RJAS2500.V3-13	Pump Core (Small)
14	RJAS2500.V3-14	Nylon Seal
15	RJAS2500.V3-15	O-Ring (10.6x 2.65)
16	RJAS2500.V3-16	Spring
17	RJAS2500.V3-17	Pump Core Cover
18	RJAS2500.V3-18	C-Ring

Item	Part No.	Description
19	RJAS2500.V3-19	Pump Body (Large)
20	RJAS2500.V3-20	Pump Core (Large)
21	RJAS2500.V3-21	O-Ring (15.2x 2.65)
22	RJAS2500.V3-22	Spring (Large)
23	RJAS2500.V3-23	Pump Core Cover (Large)
24	RJAS2500.V3-24	C-Ring (18x 2)
25	RJAS2500.V3-25	Release Valve Assembly
26	SB-4.0	Steel ball 4.0mm
27	RJAS2500.V3-27	Ram Assembly
28	RJAS2500.V3-28	Seal
29	RJAS2500.V3-29	Nylon Seal
30	RJAS2500.V3-30	Y-Shape Seal
31	RJAS2500.V3-31	Cylinder
32	RJAS2500.V3-32	Cylinder Washer
33	RJAS2500.V3-33	Reservoir
34	RJAS2500.V3-34	Reservoir Washer (A) (66.7x 61.2- 1.5)
35	RJAS2500.V3-35	Reservoir Washer (B) (70.7x 64.3- 1.5)

NOTE: It is our policy to continually improve products and as such we reserve the right to alter data, specifications and component parts without prior notice. There may be alternative versions of this product, please contact us should you require this information.

IMPORTANT: No liability is accepted for incorrect use of product. Spare parts must be fitted by a competent person

WARRANTY: Guarantee is 12 months from purchase date, proof of which will be required for any claim.



Parts Information:
**Trolley Jack 2.5tonne Aluminium/Steel
Rocket Lift
Model No: Rjas2500.V3**

Item	Part No.	Description
36	RJAS2500.V3-36	Top Nut
37	RJAS2500.V3-37	O-Ring (29.5x 3.55)
38	BHSS1225.S	Button Head Socket Screw M12 X 25 Zinc
39	SWM12.S	Spring Washer M12 Zinc
40	RJAS2500.V3-40	Lift Arm Assembly
41	RJAS2500.V3-41	Side Plate
42	RJAS2500.V3-42	Guide Arm
43	RJAS2500.V3-43	Guide Are Pin
44	BHSS1025.S	Button Head Socket Screw M10 X 25 Zinc
45	FWM10.S	Flat Washer M10 Zinc
46	SWM10.S	Spring Washer M10 Zinc
47	RJAS2500.V3-47	Ext Circlip (16)
48	RJAS2500.V3-48	Handle Socket Shaft
49	RJAS2500.V3-49	Rear Castor Bracket
50	RJAS2500.V3-50	Carry Handle
51	MSC820.S	Csk Phillips Machine Screw M8 X 20 Zinc
52	RJAS2500.V3-52	Rear Castor Assembly
53	NLN12.S	Nyloc Nut M12 Zinc
54	RJAS2500.V3-54	Handle Socket
55	RJAS2500.V3-55	Handle Socket Roller
56	RJAS2500.V3-56	Handle Socket Roller Pin
57	RJAS2500.V3-57	Ext Circlip (12)
58	RJAS2500.V3-58	Handle Socket Bolt (13.7x 16.3-41)
59	RJAS2500.V3-59	Spring Pin
60	RJAS2500.V3-60	Upper Handle

Item	Part No.	Description
61	RJAS2500.V3-61	Lower Handle
62	RJAS2500.V3-62	Handle Sleeve
63	RJAS2500.V3-63	Front Wheel
64	RJAS2500.V3-64	Front Wheel Axle
65	RJAS2500.V3-65	Front Wheel Bushing
66	FWM16.S	Flat Washer M16 Zinc
67	NLN16.S	Nyloc Nut M16 Zinc
68	RJAS2500.V3-68	Saddle
69	JP11	Safety Rubber Jack Pad - Type B
70	RJAS2500.V3-70	Saddle Bolt
71	RJAS2500.V3-71	Link Bolt
72	RJAS2500.V3-72	Cotter Pin
73	RJAS2500.V3-73	Ext Circlip (20)
74	RJAS2500.V3-74	Eye Bolt (4x40)
75	RJAS2500.V3-75	Return Spring
76	RJAS2500.V3-76	Upper Cross Bar
77	RJAS2500.V3-77	Rubber Bumper
78	BHSS820.S	Button Head Socket Screw M8 X 20 Zinc
79	SWM8.S	Spring Washer M8 Zinc
80	RJAS2500.V3-80	Lower Cross Bar
81	BHSS620.S	Button Head Socket Screw M6 X 20 Zinc
82	SWM6.S	Spring Washer M6 Zinc
--	RJAS2500.V3-P	Cylinder Assembly (parts 1-25 & 27-37) (Not Shown)
--	RJAS2500.V3-RK	Repair Kit for Cyclinder Assembly (Not Shown)

NOTE: It is our policy to continually improve products and as such we reserve the right to alter data, specifications and component parts without prior notice. There may be alternative versions of this product, please contact us should you require this information.

IMPORTANT: No liability is accepted for incorrect use of product. Spare parts must be fitted by a competent person

WARRANTY: Guarantee is 12 months from purchase date, proof of which will be required for any claim.

Sealey Group, Kempson Way, Suffolk Business Park, Bury St Edmunds, Suffolk. IP32 7AR



01284 757500



01284 703534



sales@sealey.co.uk



www.sealey.co.uk