

Item	Part No.	Description
1	RJAS2500V2.01	Saddle Shaft
2	RJAS2500V2.02	Saddle
3	RJAS2500V2.03	Lift Arm Ass'y
4	RJAS2500V2.04	Circlip
5	RJAS2500V2.05	Nut
6	RJAS2500V2.06	Washer
7	RJAS2500V2.07	Wheel, Front Fixed (D:65 W:40 B:22)
8	RJAS2500V2.08	Front Wheel Sleeve
9	RJAS2500V2.09	Side Plate
10	RJAS2500V2.10	Linkage
11	RJAS2500V2.11	Pin
12	RJAS2500V2.12	Front Wheel Shaft
13	RJAS2500V2.13	Rubber Bush
14	RJAS2500V2.14	Side Handle Rod

Item	Part No.	Description
15	MSCS820.S	Csk Socket Machine Screw M8 x 20mm
16	BHSS1020.S	Button Head Socket Screw M10 X 20 Zinc
17	RJAS2500V2.17	Washer
18	RJAS2500V2.18	Washer
19	BHSS820.S	Button Head Socket Screw M8 X 20 Zinc
20	RJAS2500V2.20	Side Handle
21	RJAS2500V2.21	Washer
22	RJAS2500V2.22	Wheel, Rear Swivel Castor, Single Bolt (D:45 W:23 B:8 H:92)
23	RJAS2500V2.23	Rear Wheel Frame
24	RJAS2500V2.24	Washer
25	RJAS2500V2.25	Screw
26	RJAS2500V2.26	Nut
27	BHSS1025.S	Button Head Socket Screw M10 X 25 Zinc

NOTE: It is our policy to continually improve products and as such we reserve the right to alter data, specifications and component parts without prior notice. There may be alternative versions of this product, please contact us should you require this information.

IMPORTANT: No liability is accepted for incorrect use of product. Spare parts must be fitted by a competent person

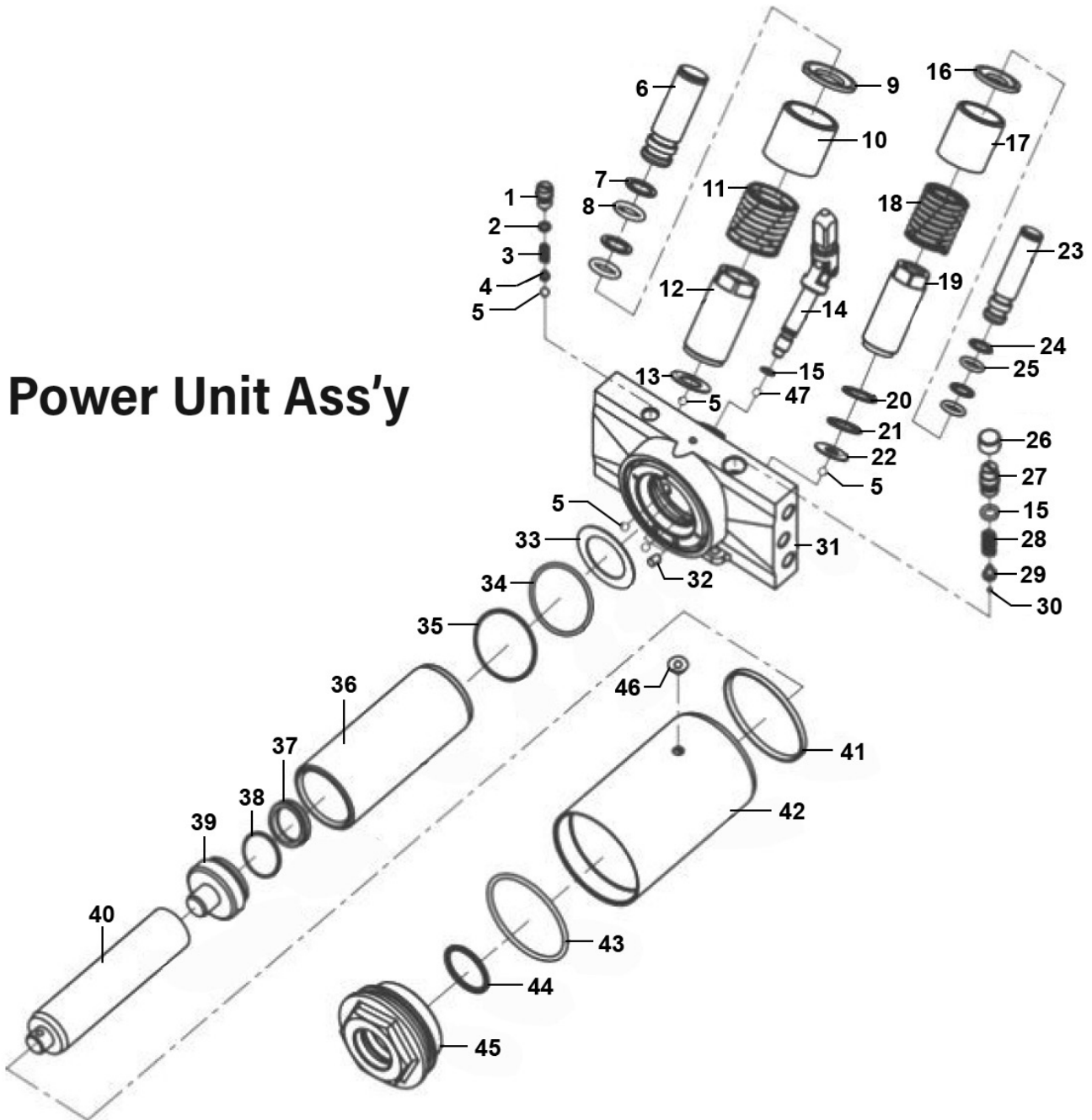
WARRANTY: Guarantee is 12 months from purchase date, proof of which will be required for any claim.

Parts Information:
**Trolley Jack 2.5tonne Aluminium/Steel
 Rocket Lift
 Model No: Rjas2500.V2**

Item	Part No.	Description
28	RJAS2500V2.28	Washer
29	RJAS2500V2.29	Washer
30	RJAS2500V2.30	Rsd Hd Csk S/T Screw M4.6 X 18
31	RJAS2500V2.31	Handle Socket Shaft
32	RJAS2500V2.32	Handle Socket Screw
33	RJAS2500V2.33	Handle Socket
34	RJAS2500V2.34	Handle Ass'y

Item	Part No.	Description
35	RJAS2500V2.35	Return Spring Dia 17.2mm
36	RJAS2500V2.36	Power Unit Ass'y
37	RJAS2500V2.37	Cover Plate
38	RJAS2500V2.38	Pin
39	RJAS2500V2.39	Universal Joint Shaft
40	RJAS2500V2.40	Circlip
41	JP12	Safety Rubber Jack Pad - Type B

Power Unit Ass'y



NOTE: It is our policy to continually improve products and as such we reserve the right to alter data, specifications and component parts without prior notice. There may be alternative versions of this product, please contact us should you require this information.

IMPORTANT: No liability is accepted for incorrect use of product. Spare parts must be fitted by a competent person

WARRANTY: Guarantee is 12 months from purchase date, proof of which will be required for any claim.



Parts Information:
**Trolley Jack 2.5tonne Aluminium/Steel
Rocket Lift
Model No: Rjas2500.V2**

Item	Part No.	Description
1	RJAS2500V2P01	Plug Screw
2	RE231.V3-P36	O-Ring, (Ex: 11.26 In: 6.02 Cs: 2.62)
3	RJAS2500V2P03	Spring Dia 6.5mm
4	RJAS2500V2P04	Spring Base
5	RJAS2500V2P05	Steel Ball 5mm
6	RJAS2500V2P06	Plunger (Large)
7	RJAS2500V2P07	Split Washer
8	SA29.V3-41	O-Ring, (Ex: 22.36 In: 17.12 Cs: 2.62)
9	RJAS2500V2P09	Washer M22
10	RJAS2500V2P10	Spring Cover (Large)
11	RJAS2500V2P11	Spring Dia 37mm
12	RJAS2500V2P12	Pump Cylinder (Large)
13	RJAS2500V2P13	Copper Washer
14	RJAS2500V2P14	Release Valve
15	GSA08.09-4	O-Ring, (Ex: 11.21 In: 7.65 Cs: 1.78)
16	RJAS2500V2P16	Washer M16
17	RJAS2500V2P17	Spring Cover (Small)
18	RJAS2500V2P18	Spring, Dia 33.8mm
19	RJAS2500V2P19	Pump Cylinder (Small)
20	RJAS2500V2P20	Back-Up Ring
21	AK453X.V3-P38	O-Ring, (Ex: 27.08 In: 23.52 Cs: 1.78)
22	RJAS2500V2P22	Copper Washer
23	RJAS2500V2P23	Plunger (Small)
24	RJAS2500V2P24	Back-Up Ring

Item	Part No.	Description
25	SA695.13	O-Ring, (Ex: 16.01 In: 10.77 Cs: 2.62)
26	RJAS2500V2P26	Valve Cap
27	RJAS2500V2P27	Plug Screw
28	RJAS2500V2P28	Spring
29	RJAS2500V2P29	Spring Base
30	RJAS2500V2P30	Steel Ball 3mm
31	RJAS2500V2P31	Base
32	RJAS2500V2P32	Filter Screen
33	RJAS2500V2P33	Copper Washer
34	SA792.V3-22	O-Ring, (Ex: 47.76 In: 42.52 Cs: 2.62)
35	RJAS2500V2P35	Back-Up Ring
36	RJAS2500V2P36	Cylinder
37	RJAS2500V2P37	Seal
38	RJAS2500V2P38	Back-up ring
39	RJAS2500V2P39	Piston
40	RJAS2500V2P40	Piston rod assembly (37,38,39 & 40)
41	RJAS2500V2P41	T-washer
42	RJAS2500V2P42	Reservoir
43	RJAS2500V2P43	O-Ring, (Ex: 66.98 In: 59.92 Cs: 3.53)
44	MS156.05	O-Ring, (Ex: 35.23 In: 28.17 Cs: 3.53)
45	RJAS2500V2P45	Top Cap
46	RJAS2500V2P46	Oil Filler Plug
47	RJAS2500V2P47	Steel Ball 6mm

NOTE: It is our policy to continually improve products and as such we reserve the right to alter data, specifications and component parts without prior notice. There may be alternative versions of this product, please contact us should you require this information.

IMPORTANT: No liability is accepted for incorrect use of product. Spare parts must be fitted by a competent person

WARRANTY: Guarantee is 12 months from purchase date, proof of which will be required for any claim.

Sealey Group, Kempson Way, Suffolk Business Park, Bury St Edmunds, Suffolk. IP32 7AR



01284 757500



01284 703534



sales@sealey.co.uk



www.sealey.co.uk