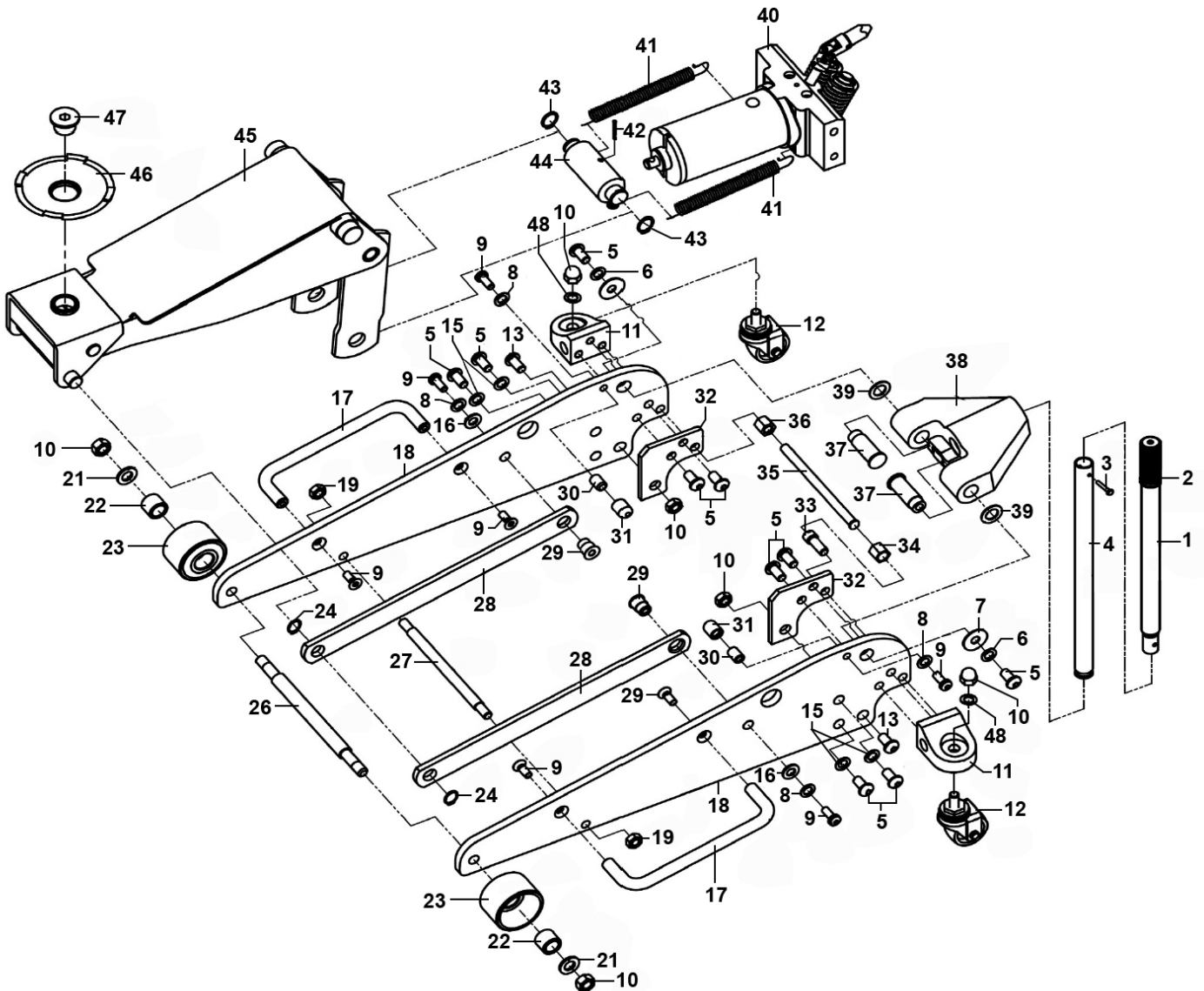


Parts Information:  
**Trolley Jack 2.5tonne Aluminium/Steel  
 Rocket Lift  
 Model No: RJA2500**



Item	Part No.	Description
1	RJA2500.01	Handle, Upper
2	RJA2500.02	Handle Grip
3	SS635.S	Hex Head Set Screw M6 X 35 Zinc
4	RJA2500.04	Handle, Lower
5	BHSS1225.S	Button Head Socket Screw M12 X 25 Zinc
6	SWM10.SB	Spring Washer M10 Black
7	RW1030.S	Repair Washer M10 X 30 Zinc
8	RJA2500.08	Lock Washer 8
9	BHSS820.S	Button Head Socket Screw M8 X 20 Zinc
10	SN12.S	Steel Nut M12 Zinc
11	RJA2500V2.23	Rear Wheel Frame
12	RJA2500.12	Wheel, Swivel Castor (D: 44 W: 23 B: 10 H: 100)

Item	Part No.	Description
13	RJA2500.13	Screw
15	SWM12.SB	Spring Washer M12 Black
16	RJA2500.16	Lock Washer 8
17	RJA2500V2.20	Side Handle
18	RJA2500.18	Wall Frame
19	SN10.S	Steel Nut M10 Zinc
21	FWM12.S	Flat Washer M12 Zinc
22	RJA2500.22	Front Wheel Spacer
23	RJA2500.23	Wheel, Front Fixed (D:66 W:35 B:25)
24	RJA2500.24	Washer 16
26	RJA2500.26	Axle, Front Wheel
27	RJA2500.27	Connecting Rod

**NOTE:** It is our policy to continually improve products and as such we reserve the right to alter data, specifications and component parts without prior notice. There may be alternative versions of this product, please contact us should you require this information.

**IMPORTANT:** No liability is accepted for incorrect use of product. Spare parts must be fitted by a competent person

**WARRANTY:** Guarantee is 12 months from purchase date, proof of which will be required for any claim.

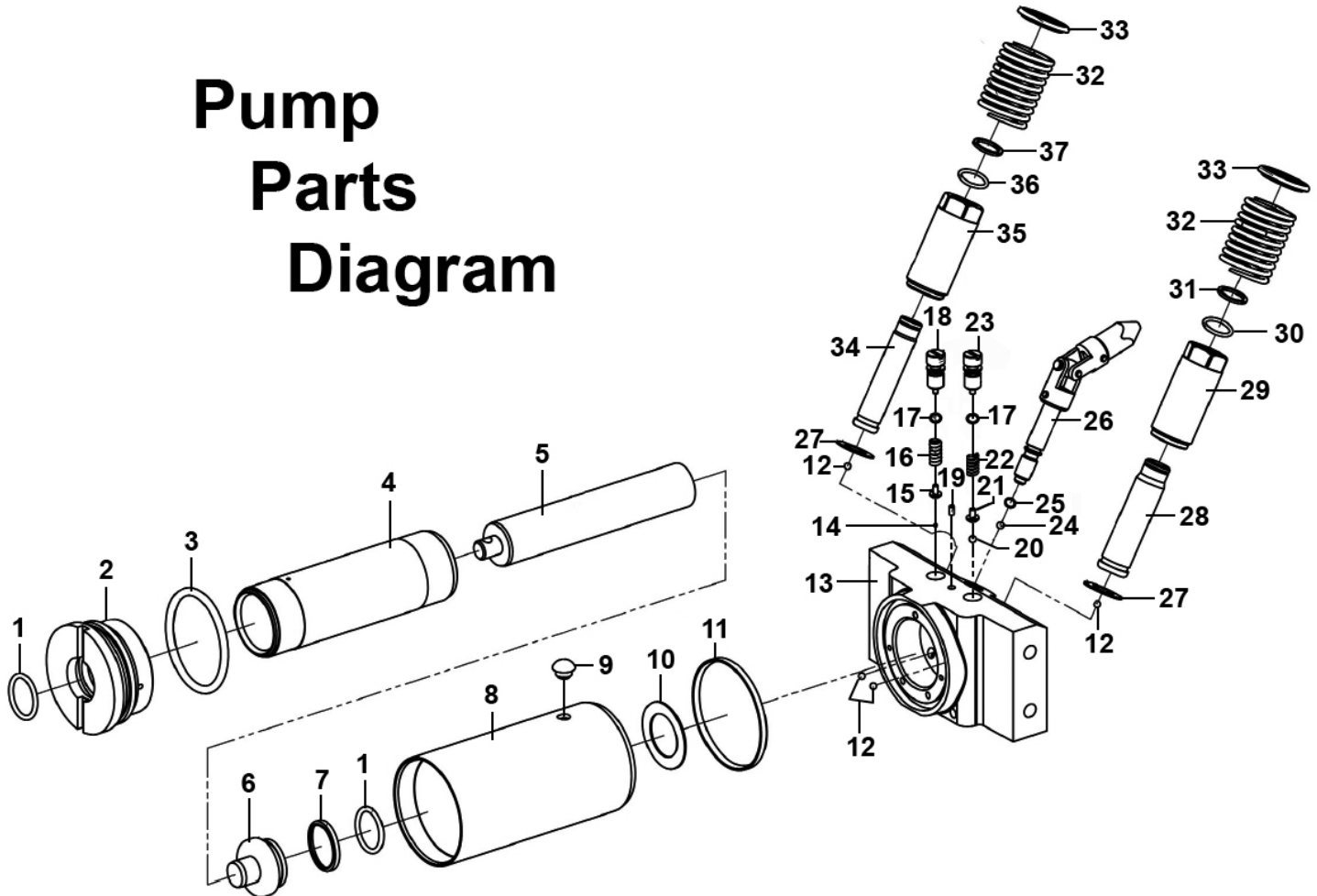


Parts Information:  
**Trolley Jack 2.5tonne Aluminium/Steel  
 Rocket Lift  
 Model No: RJA2500**

Item	Part No.	Description
28	RJAS2500.28	Shaft
29	RJAS2500.29	Connecting Rod Pin
30	RJAS2500.30	Positioning Block
31	RJAS2500.31	Rubber Bushing
32	RJAS2500.32	Guard Plate
33	RJAS2500.33	Bolt M10x27
34	RJAS2500.34	Joint Nut
35	RJAS2500.35	Joint Axle
36	RJAS2500.36	Joint Nut - Deep
37	RJAS2500.37	Left Bolt
38	RJAS2500.38	Handle Socket (Old Type)
38	RJAS2500.38-1	Handle Socket (New Type)

Item	Part No.	Description
39	FWM12.S	Flat Washer M12 Zinc
40	RJAS2500.40	Hydraulic Unit Assembly
41	RJAS2500.41	Return Spring Dia 17.2mm
42	3015CXD.30	Cotter Pin 3.8 x 45
43	MC550.24	External Circlip 18.5mm ID
44	RJAS2500V	Connecting Rod
45	RJAS2500.45	Lifting arm Assembly
46	RJAS2500.46	Saddle
47	RJAS2500V2.01	Saddle Shaft
48	RJAS2500.48	Washer 12
--	RJAS2500.51	Saddle Pad (Not Shown)
--	RJAS2500.38A	Handle Socket Bolt (New Type)(Not Shown)

# Pump Parts Diagram



**NOTE:** It is our policy to continually improve products and as such we reserve the right to alter data, specifications and component parts without prior notice. There may be alternative versions of this product, please contact us should you require this information.

**IMPORTANT:** No liability is accepted for incorrect use of product. Spare parts must be fitted by a competent person

**WARRANTY:** Guarantee is 12 months from purchase date, proof of which will be required for any claim.

Sealey Group, Kempson Way, Suffolk Business Park, Bury St Edmunds, Suffolk. IP32 7AR



01284 757500



01284 703534



sales@sealey.co.uk



www.sealey.co.uk



Parts Information:  
**Trolley Jack 2.5tonne Aluminium/Steel  
Rocket Lift  
Model No: Rjas2500**

Item	Part No.	Description
1	MS156.05	O-Ring, (Ex: 35.23 In: 28.17 Cs: 3.53)
2	RJAS2500.P02	Top Cap
3	RJAS2500.P03	O-Ring, (Ex: 63.80 In: 56.74 Cs: 3.53)
4	RJAS2500.P04	Cylinder
5	RJAS2500.P05	Piston Rod
6	RJAS2500.P06	Piston
7	RJAS2500.P07	Ring
8	RJAS2500.P08	Reservoir
9	RJAS2500V2P46	Oil Filler Plug
10	RJAS2500.P10	Thin Seal
11	RJAS2500.P11	Washer
12	SB-5.0	Steel Ball 5.0mm
13	RJAS2500.P13	Base Plate
14	SB-3.0	Steel Ball (3mm)
15	RJAS2500.P15	Spring Base
16	RJAS2500.P16	Safety Valve Spring Dia 7.6mm
17	RE231V3-P36	O-Ring, (Ex: 11.26 In: 6.02 Cs: 2.62)
18	RJAS2500.P18	Overload Valve Nut
19	RJAS2500.P19	Taper Bolt

Item	Part No.	Description
20	SB-4.0	Steel Ball (4mm)
21	RJAS2500.P21	Spring Base
22	RJAS2500.P22	Release Valve Spring
23	RJAS2500.P23	Release Valve Nut
24	SB-6.0	Steel Ball (6mm)
25	GSA08.09-4	O-Ring, (Ex: 11.21 In: 7.65 Cs: 1.78)
26	RJAS2500.P26	Discharge Valve Ass'y
27	RJAS2500.P27	Washer M12x25
28	RJAS2500.P28	Plunger
29	RJAS2500.P29	Pump (Large)
30	SA682.V2-60	O-Ring, (Ex: 23.96 In: 18.72 Cs: 2.62)
31	RJAS2500.P31	Retaining Ring
32	RJAS2500.P32	Spring Dia 34mm
33	RJAS2500.P38	Pump Pin Base
34	RJAS2500.P34	Plunger
35	RJAS2500.P35	Pump (Small)
36	RJAS2500.P36	O-Ring, (Ex: 19.89 In: 14.70 Cs: 2.58)
37	RJAS2500.P37	Retaining Ring

**NOTE:** It is our policy to continually improve products and as such we reserve the right to alter data, specifications and component parts without prior notice. There may be alternative versions of this product, please contact us should you require this information.

**IMPORTANT:** No liability is accepted for incorrect use of product. Spare parts must be fitted by a competent person

**WARRANTY:** Guarantee is 12 months from purchase date, proof of which will be required for any claim.

**Sealey Group**, Kempson Way, Suffolk Business Park, Bury St Edmunds, Suffolk. IP32 7AR



01284 757500



01284 703534



sales@sealey.co.uk



www.sealey.co.uk