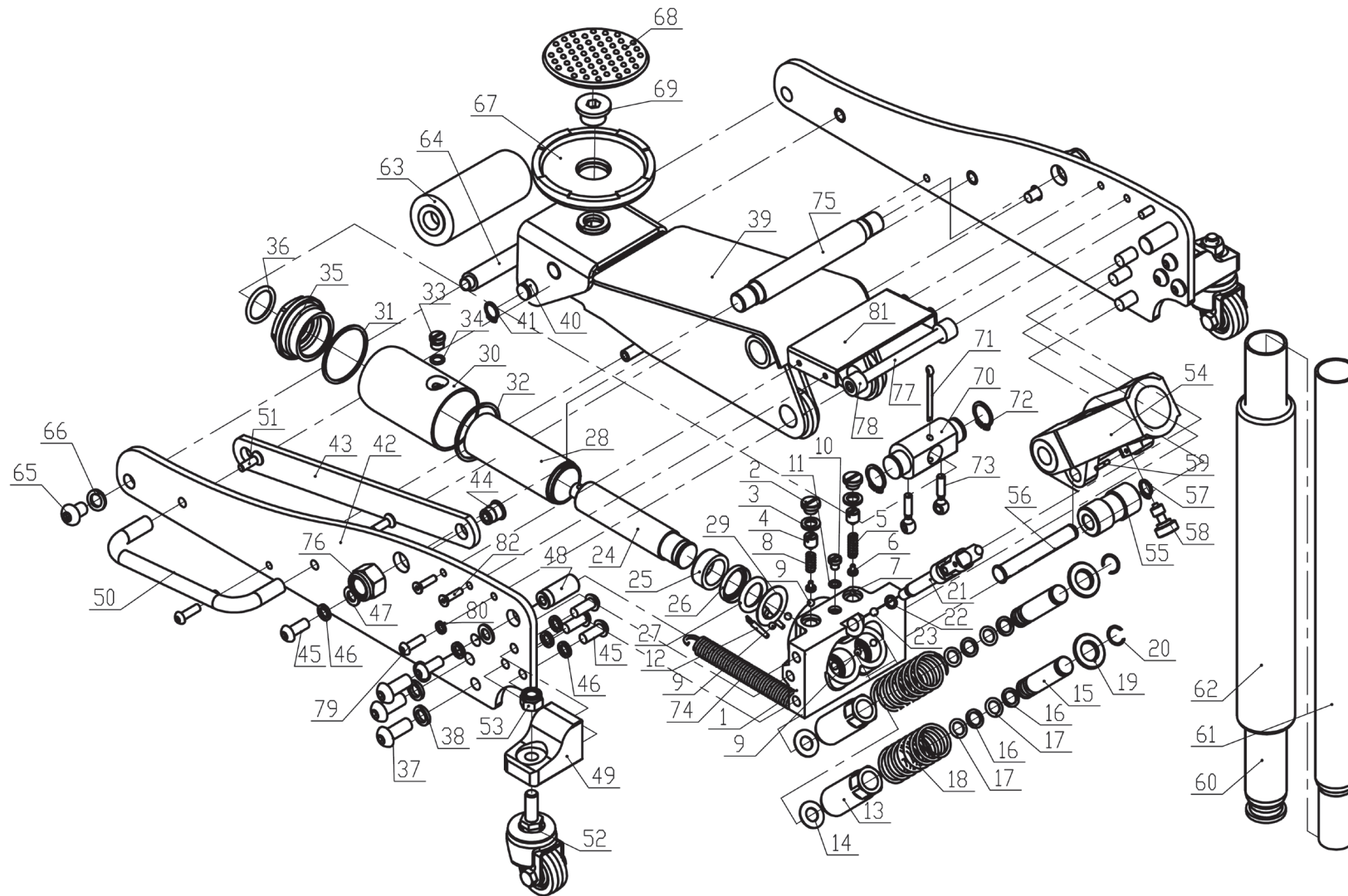




Parts Information:
Trolley Jack 1.5tonne Aluminium/Steel Rocket Lift
Model No: RJA1500.V2



NOTE: It is our policy to continually improve products and as such we reserve the right to alter data, specifications and component parts without prior notice.

IMPORTANT: No liability is accepted for incorrect use of product.

WARRANTY: Guarantee is 12 months from purchase date, proof of which will be required for any claim.

Sealey Group, Kempson Way, Suffolk Business Park, Bury St Edmunds, Suffolk. IP32 7AR



01284 757500



01284 703534



sales@sealey.co.uk



www.sealey.co.uk



Parts Information:
**Trolley Jack 1.5tonne Aluminium/Steel
 Rocket Lift
 Model No: Rjas1500.V2**

Item	Part No.	Description
1	RJAS1500.V2-01	Base
2	RJAS1500.V2-02	Pressure Adjusting Screw
3	RJAS1500.V2-03	O-Ring
4	RJAS1500.V2-04	Valve Bush
5	RJAS1500.V2-05	Spring
6	RJAS1500.V2-06	Steel Ball Base
7	SB-6.0	Steel Ball 6.0mm
8	RJAS1500.V2-08	Spring
9	SB-4.0	Steel Ball 4.0mm
10	RJAS1500.V2-10	Pressure Adjusting Screw
11	RJAS1500.V2-11	O-Ring
12	RJAS1500.V2-12	Filter
13	RJAS1500.V2-13	Pump Cylinder
14	RJAS1500.V2-14	Washer
15	RJAS1500.V2-15	Pump Core
16	RJAS1500.V2-16	Washer
17	RJAS1500.V2-17	O-Ring
18	RJAS1500.V2-18	Pump Core Spring
19	RJAS1500.V2-19	Pump Core Cover
20	RJAS1500.V2-20	Spring
21	RJAS1500.V2-21	Discharge Valve Ass'y
22	RJAS1500.V2-22	O-Ring
23	RJAS1500.V2-23	Steel Ball
24	RJAS1500.V2-24	Ram
25	RJAS1500.V2-25	Seal For Ram
26	RJAS1500.V2-26	Back-Up Ring
27	RJAS1500.V2-27	O-Ring
28	RJAS1500.V2-28	Cylinder
29	RJAS1500.V2-29	Washer
30	RJAS1500.V2-30	Reservoir
31	RJAS1500.V2-31	Washer For Top Nut
32	RJAS1500.V2-32	Washer For Cylinder
33	RJAS1500.V2-33	Oil Filler Screw
34	RJAS1500.V2-34	O-Ring For Oil Filler Screw
35	RJAS1500.V2-35	Top Nut
36	RJAS1500.V2-36	O-Ring / O-Ring
37	BHSS1025.S	Button Head Socket Screw M10x25 Zinc.
38	FWM10.S	Flat Washer M10 Single
39	RJAS1500.V2-39	Lifting Arm
40	RJAS1500.V2-40	Saddle Base Bolt
41	RJAS1500.V2-41	Retaining Ring
42	RJAS1500.V2-42	Side Plate

Item	Part No.	Description
43	RJAS1500.V2-43	Pivot Support Rod
44	RJAS1500.V2-44	Pivot Support Rod Pin
45	BHSS820.S	Button Head Socket Screw M8x20 Zinc
46	FWM8.S	Flat Washer M8 Single
47	SWM8.S	Spring Washer M8 Zinc (Single)
48	RJAS1500.V2-48	Handle Socket Shaft
49	RJAS1500.V2-49	Rear Castor Bracket
50	RJAS1500.V2-50	Side Handle
51	MSC620.S	Csk Phillips Machine Screw M6x20 (Single)
52	RJAS1500.V2-52	Rear Castor
53	SN10.S	Steel Nut M10 Zinc Din934 (Single)
54	RJAS1500.V2-54	Handle Socket
55	RJAS1500.V2-55	Roller, Handle Socket
56	RJAS1500.V2-56	Roller Pin, Handle Socket
57	RJAS1500.V2-57	Retaning Ring M12
58	RJAS1500.V2-58	Handle Socket Bolt
59	RJAS1500.V2-59	Spring Pin
60	RJAS1500.V2-60	Upper Handle
61	RJAS1500.V2-61	Lower Handle
62	RJAS1500.V2-62	Handle Sleeve
63	RJAS1500.V2-63	Front Wheel
64	RJAS1500.V2-64	Front Wheel Axle
65	BHSS1025.S	Button Head Socket Screw M10x25 Zinc
66	FWM10.S	Flat Washer M10 Single
67	RJAS1500.V2-67	Saddle
68	RJAS1500.V2-68	Rubber Saddle Pad
69	RJAS1500.V2-69	Saddle Bolt
70	RJAS1500.V2-70	Link Bolt
71	RJAS1500.V2-71	Split Pin
72	RJAS1500.V2-72	Hydraulic Unit Link
73	RJAS1500.V2-73	Eye Screw M6x25
74	RJAS1500.V2-74	Return Spring
75	RJAS1500.V2-75	Lifting Arm Shaft
76	SN16.S	Steel Nut M16 Zinc Din934 (Single)
77	RJAS1500.V2-77	Shaft
78	RJAS1500.V2-78	Rubber Bumper
79	BHSS620.S	Button Head Socket Screw M6x20 Zinc
80	FWM6.S	Flat Washer M6 Single
81	RJAS1500.V2-81	Cover
82	RJAS1500.V2-82	Screw For Side Plate
--	RJAS1500.V2-P	Hydraulic Unit Complete (not shown)
--	RJAS1500.V2-RK	Repair Kit (not shown)

NOTE: It is our policy to continually improve products and as such we reserve the right to alter data, specifications and component parts without prior notice.

IMPORTANT: No liability is accepted for incorrect use of product.

WARRANTY: Guarantee is 12 months from purchase date, proof of which will be required for any claim.

Sealey Group, Kempson Way, Suffolk Business Park, Bury St Edmunds, Suffolk. IP32 7AR



01284 757500



01284 703534



sales@sealey.co.uk



www.sealey.co.uk