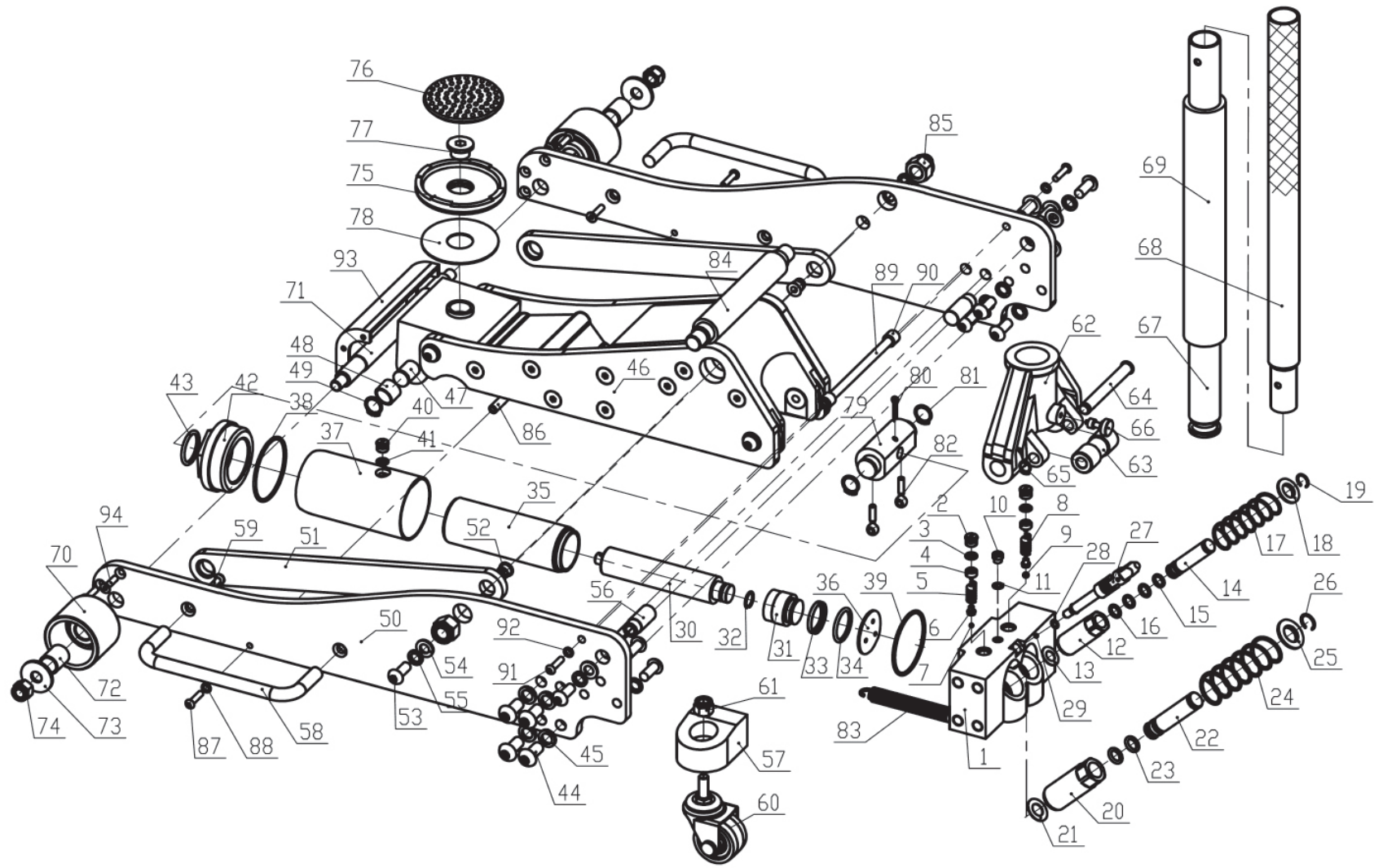




Parts Information:  
Trolley Jack 2.5tonne Low Entry Aluminium Rocket Lift  
Model No: RJA2500.V2



**NOTE:** It is our policy to continually improve products and as such we reserve the right to alter data, specifications and component parts without prior notice.

**IMPORTANT:** No liability is accepted for incorrect use of product.

**WARRANTY:** Guarantee is 12 months from purchase date, proof of which will be required for any claim.

Sealey Group, Kempson Way, Suffolk Business Park, Bury St Edmunds, Suffolk. IP32 7AR



01284 757500



01284 703534



sales@sealey.co.uk



www.sealey.co.uk



Parts Information:  
**Trolley Jack 2.5tonne Low Entry Aluminium  
Rocket Lift**  
**Model No: RJA2500.V2**

Item	Part No.	Description
1	RJA2500.V2-01	HYDRAULIC UNIT BASE
2	RJA2500.V2-02	SAFETY VALVE SCREW
3	RJA2500.V2-03	SAFETY VALVE O-RING
4	RJA2500.V2-04	SCREW
5	RJA2500.V2-05	SPRING
6	RJA2500.V2-06	STEEL BALL BASE
7	RJA2500.V2-07	STEEL BALL
8	RJA2500.V2-08	SPRING
9	RJA2500.V2-09	STEEL BALL
10	RJA2500.V2-10	SCREW
11	RJA2500.V2-11	O-RING
12	RJA2500.V2-12	PUMP (A)
13	RJA2500.V2-13	PUMP COPPER WASHER (A)
14	RJA2500.V2-14	PUMP CORE (A)
15	RJA2500.V2-15	WASHER
16	RJA2500.V2-16	O-RING
17	RJA2500.V2-17	SPRING (A)
18	RJA2500.V2-18	PUMP CAP (A)
19	RJA2500.V2-19	C-RING
20	RJA2500.V2-20	PUMP (B)
21	RJA2500.V2-21	PUMP COPPER WASHER (B)
22	RJA2500.V2-22	PUMP CORE (B)
23	RJA2500.V2-23	O-RING
24	RJA2500.V2-24	SPRING (B)
25	RJA2500.V2-25	PUMP CAP (B)
26	RJA2500.V2-26	C-RING
27	RJA2500.V2-27	RELEASE VALVE ASS'Y
28	RJA2500.V2-28	O-RING
29	RJA2500.V2-29	STEEL BALL
30	RJA2500.V2-30	PISTON ROD
31	RJA2500.V2-31	PISTON HEAD
32	RJA2500.V2-32	WASHER
33	RJA2500.V2-33	U-CUP SEAL
34	RJA2500.V2-34	O-RING
35	RJA2500.V2-35	CYLINDER
36	RJA2500.V2-36	CYLINDER COPPER WASHER
37	RJA2500.V2-37	RESERVOIR
38	RJA2500.V2-38	UPPER SEAL RING
39	RJA2500.V2-39	LOWER SEAL RING
40	RJA2500.V2-40	OIL FILLER SCREW
41	RJA2500.V2-41	OIL FILLER O-RING
42	RJA2500.V2-42	RESERVOIR CAP
43	RJA2500.V2-43	RESERVOIR TANK O-RING
44	RJA2500.V2-44	SOCKET BUTTON SCREW
45	RJA2500.V2-45	WASHER
46	RJA2500.V2-46	LIFT ARM ASSEMBLY
47	RJA2500.V2-47	SADDLE PIN (LONG)
48	RJA2500.V2-48	SADDLE PIN BUSH

Item	Part No.	Description
49	RJA2500.V2-49	RETAINING RING
50	RJA2500.V2-50	MAIN FRAME
51	RJA2500.V2-51	LINK ROD (LONG)
52	RJA2500.V2-52	CONNECTING ROD PIN
53	RJA2500.V2-53	SOCKET BUTTON SCREW
54	RJA2500.V2-54	WASHER
55	RJA2500.V2-55	WASHER
56	RJA2500.V2-56	PIN
57	RJA2500.V2-57	REAR WHEEL FRAME
58	RJA2500.V2-58	CARRY HANDLE
59	RJA2500.V2-59	HEX SCREW
60	RJA2500.V2-60	REAR CASTOR WHEEL
61	RJA2500.V2-61	LOCK NUT
62	RJA2500.V2-62	HANDLE SOCKET
63	RJA2500.V2-63	IDLER WHEEL
64	RJA2500.V2-64	HANDLE SOCKET PIN
65	RJA2500.V2-65	RETAINING RING
66	RJA2500.V2-66	HANDLE SOCKET BOLT
67	RJA2500.V2-67	LOWER HANDLE
68	RJA2500.V2-68	UPPER HANDLE
69	RJA2500.V2-69	HANDLE SLEEVE
70	RJA2500.V2-70	FRONT WHEEL
71	RJA2500.V2-71	FRONT AXLE
72	RJA2500.V2-72	FRONT WHEEL BUSH
73	RJA2500.V2-73	WASHER
74	RJA2500.V2-74	LOCK NUT
75	RJA2500.V2-75	SADDLE
76	RJA2500.V2-76	SADDLE PAD
77	RJA2500.V2-77	SADDLE PIN
78	RJA2500.V2-78	SADDLE NYLON WASHER
79	RJA2500.V2-79	LINK ROD
80	RJA2500.V2-80	PIN
81	RJA2500.V2-81	RETAINING RING
82	RJA2500.V2-82	BOLT WITH HOLE
83	RJA2500.V2-83	RETURN SPRING
84	RJA2500.V2-84	CONNECTING ROD
85	RJA2500.V2-85	LOCK NUT
86	RJA2500.V2-86	LIMIT ROD
87	RJA2500.V2-87	HEX SCREW
88	RJA2500.V2-88	WASHER
89	RJA2500.V2-89	ROD
90	RJA2500.V2-90	RUBBER BUSH
91	RJA2500.V2-91	SOCKET BUTTON SCREW
92	RJA2500.V2-92	WASHER
93	RJA2500.V2-93	FRONT AXLE COVER
94	RJA2500.V2-94	SOCKET BUTTON SCREW
--	RJA2500.V2-P	COMPLETE HYDRAULIC ASS'Y FOR RJA2500
--	RJA2500.V2-RK	REPAIR KIT FOR HYDRAULIC UNIT

**NOTE:** It is our policy to continually improve products and as such we reserve the right to alter data, specifications and component parts without prior notice.

**IMPORTANT:** No liability is accepted for incorrect use of product.

**WARRANTY:** Guarantee is 12 months from purchase date, proof of which will be required for any claim.

**Sealey Group**, Kempson Way, Suffolk Business Park, Bury St Edmunds, Suffolk. IP32 7AR



01284 757500



01284 703534



sales@sealey.co.uk



www.sealey.co.uk