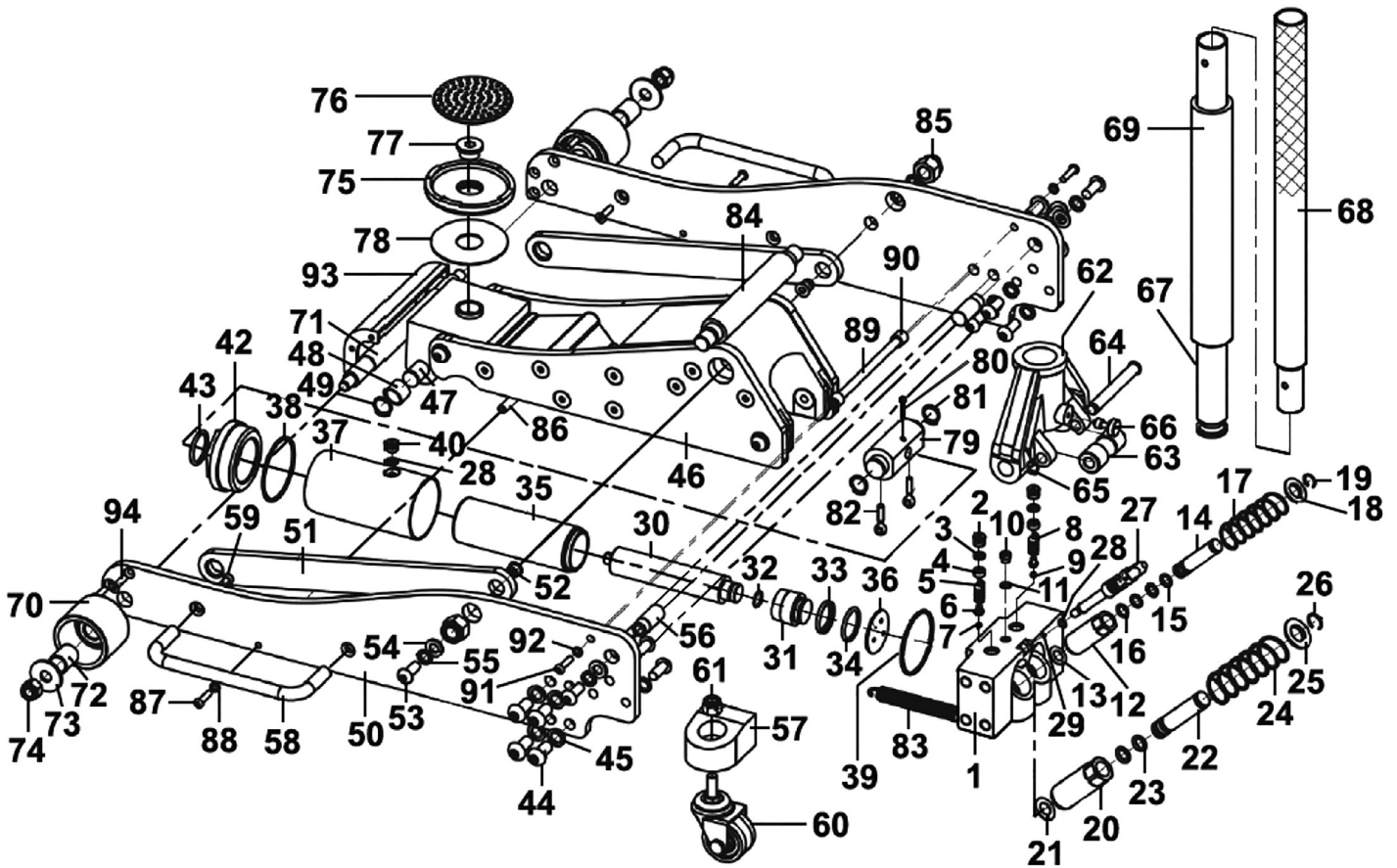


Parts Information:
**Trolley Jack 2.5 Tonne Low Profile
 Aluminium Rocket Lift
 Model No: RJA2500.V3**



Item	Part No.	Description	Qty
1	RJA2500.V3-01	Hydraulic Unit Base	1
2	RJA2500.V2-02	Safety Valve Screw	2
3	RJA2500.V2-03	Safety Valve O-Ring	2
4	RJA2500.V2-04	Screw	2
5	RJA2500.V2-05	Spring	1
6	RJA2500.V2-06	Steel Ball Base	2
7	RJA2500.V2-07	Steel Ball	1
8	RJA2500.V2-08	Spring	1
9	RJA2500.V2-09	Steel Ball	5
10	RJA2500.V2-10	Screw	1
11	RJA2500.V2-11	O-Ring, (Ex: 41.58 In: 34.52 Cs: 3.53)	1
12	RJA2500.V2-12	Pump (a)	1
13	RJA2500.V2-13	Pump Washer (a)	1
14	RJA2500.V2-14	Pump Core (a)	1
15	RJA2500.V2-15	Washer	2
16	SA695.13	O-Ring, (Ex: 16.01 In: 10.77 Cs: 2.62)	2
17	RJA2500.V2-17	Spring Dia 33.1mm	1
18	RJA2500.V2-18	Pump Cap (a)	1
19	RJA2500.V2-19	C-Ring	1

Item	Part No.	Description	Qty
20	RJA2500.V2-20	Pump (b)	1
21	RJA2500.V2-21	Pump Copper Washer (b)	1
22	RJA2500.V2-22	Pump Core (b)	1
23	SA682.V2-60	O-Ring, (Ex: 23.96 In: 18.72 Cs: 2.62)	2
24	RJA2500.V2-24	Spring (b)	1
25	RJA2500.V2-25	Pump Cap (b)	1
26	RJA2500.V2-26	C-Ring	1
27	RJA2500.V2-27	Release Valve Ass'y	1
28	GSA08.09-4	O-Ring, (Ex: 11.21 In: 7.65 Cs: 1.78)	1
29	RJA2500.V2-29	Steel Ball	1
30	RJA2500.V2-30	Piston Rod	1
31	RJA2500.V2-31	Piston Head	1
32	RJA2500.V2-32	Washer	1
33	RJA2500.V2-33	U-Cup Seal	1
34	RJA2500.V2-34	O-Ring, (Ex: 37 In: 26.34 Cs: 5.33)	1
35	RJA2500.V2-35	Cylinder	1
36	RJA2500.V2-36	Cylinder Copper Washer	1
37	RJA2500.V2-37	Reservoir	1
38	RJA2500.V2-38	Upper Seal Ring	1

NOTE: It is our policy to continually improve products and as such we reserve the right to alter data, specifications and component parts without prior notice. There may be alternative versions of this product, please contact us should you require this information.

IMPORTANT: No liability is accepted for incorrect use of product. Spare parts must be fitted by a competent person

WARRANTY: Guarantee is 12 months from purchase date, proof of which will be required for any claim.



Parts Information:
**Trolley Jack 2.5 Tonne Low Profile
 Aluminium Rocket Lift
 Model No: RJA2500.V3**

Item	Part No.	Description	Qty
39	RJA2500.V2-39	Lower Seal Ring	1
40	RJA2500.V2-40	Oil Filler Screw	1
42	RJA2500.V2-42	Reservoir Cap	1
43	RE91/10.07	O-Ring, (Ex: 36.81 In: 29.75 Cs: 3.53)	1
44	RJA2500.V2-44	Socket Button Screw	8
45	RJA2500.V2-45	Washer	8
46	RJA2500.V2-46	Lift Arm Assembly	1
47	RJA2500.V2-47	Saddle Pin (Long)	1
48	RJA2500.V2-48	Saddle Pin Bush	2
49	RJA2500.V2-49	Retaining Ring	2
50	RJA2500.V2-50	Main Frame	2
51	RJA2500.V2-51	Link Rod (Long)	2
52	RJA2500.V2-52	Connecting Rod Pin	2
53	BHSS820.S	Button Head Socket Screw M8 X 20 Zinc	10
54	RJA2500.V2-54	Washer	4
55	RJA2500.V2-55	Washer	10
56	RJA2500.V2-56	Pin	2
57	RJA2500.V2-57	Rear Wheel Frame	2
58	RJA2500.V2-58	Carry Handle	2
59	BHSS820.S	Button Head Socket Screw M8 X 20 Zinc	4
60	RJA2500.V2-60	Wheel , Swivel Castor (D: 50 W:30 B:12 H: 108)	2
61	NLN12.S	Nyloc Nut M12 Zinc	2
62	RJA2500.V2-62	Handle Socket	1
63	RJA2500.V2-63	Idler Wheel	1
64	RJA2500.V2-64	Handle Socket Pin	1
65	RJA2500.V2-65	Retaining Ring	1
66	RJA2500.V2-66	Handle Socket Bolt	1
67	RJA2500.V2-67	Lower Jack Handle (square) 12mm	1
68	RJA2500.V2-68	Upper Handle	1
69	RJA2500.V2-69	Handle Sleeve(Fitted To Part 67)	1

Item	Part No.	Description	Qty
70	RJA2500.V2-70	Wheel, Front, Fixed (D:65 W:49 B:22)	2
71	RJA2500.V2-71	Front Axle	1
72	RJA2500.V2-72	Front Wheel Bush	2
73	RJA2500.V2-73	Washer	2
74	RJA2500.V2-74	Lock Nut	2
75	RJA2500.V2-75	Saddle, Aluminium Serrated, Stepped (F) Ø 116mm	1
76	RJA2500.V2-76	Saddle Pad	1
77	RJA2500.V2-77	Saddle Pin	1
78	RJA2500.V2-78	Saddle Nylon Washer	1
79	RJA2500.V2-79	Link Rod	1
80	RJA2500.V2-80	Pin	1
81	RJA2500.V2-81	Retaining Ring	2
82	RJA2500.V2-82	Bolt With Hole	2
83	RJA2500.V2-83	Return Spring Dia 15.5mm	2
84	RJA2500.V2-84	Connecting Rod	1
85	RJA2500.V2-85	Lock Nut	2
86	RJA2500.V2-86	Limit Rod	1
87	MSCS820.S	Csk Socket Machine Screw M8 x 20mm	2
88	RJA2500.V2-88	Washer	2
89	RJA2500.V2-89	Rod	1
90	RJA2500.V2-90	Rubber Bush	2
91	RJA2500.V2-91	Socket Button Screw	2
92	RJA2500.V2-92	Washer	2
93	RJA2500.V2-93	Front Axle Cover	1
94	RJA2500.V2-94	Socket Button Screw	6
--	GSA08.09-4	O-Ring, (Ex: 11.21 In: 7.65 Cs: 1.78) (Not Shown)	1
--	RJA2500.V3-P	Complete Hydraulic Ass'y for RJA2500.V3 (Not Shown)	1
--	RJA2500.V2-RK	Repair Kit For Hydraulic Unit (Not Shown)	1

NOTE: It is our policy to continually improve products and as such we reserve the right to alter data, specifications and component parts without prior notice. There may be alternative versions of this product, please contact us should you require this information.

IMPORTANT: No liability is accepted for incorrect use of product. Spare parts must be fitted by a competent person

WARRANTY: Guarantee is 12 months from purchase date, proof of which will be required for any claim.

Sealey Group, Kempson Way, Suffolk Business Park, Bury St Edmunds, Suffolk. IP32 7AR



01284 757500



sales@sealey.co.uk



www.sealey.co.uk