

Item	Part No.	Description
1	RJA2500.01	Saddle Pad
2	RJAS2500V2.01	Saddle Shaft
3	RJA2500.03	Saddle
4	RJA2500.04	Saddle Base
5	RJA2500.05	Lift Arm Assy.
6	RJA2500.06	Long Link (Pair)
7	RJA2500.07	Wheel, Front Fixed (D:65 W:50 B:22)
8	RJA2500.08	Carrying handle
9	RJA2500.09	Side Plate (Pair)

Item	Part No.	Description
10	RJA2500.10	Wheel, Rear Swivel Castor, Single Bolt (D:50 W:30 B:12 H:105)
11	SN12.S	Steel Nut M12 Zinc
12	RJA2500.12	Handle Socket
13	RJA2500.13	Set Screw
14	RJA2500.V2-68	Upper Handle
15	RJA2500.V2-67	Lower Jack Handle (Square) 12mm
16	RJA2500.16	Handle Cover
17	RJA2500.17	Tie rod Ass'y
18	RJA2500.18	Hyd. Unit Cpl.

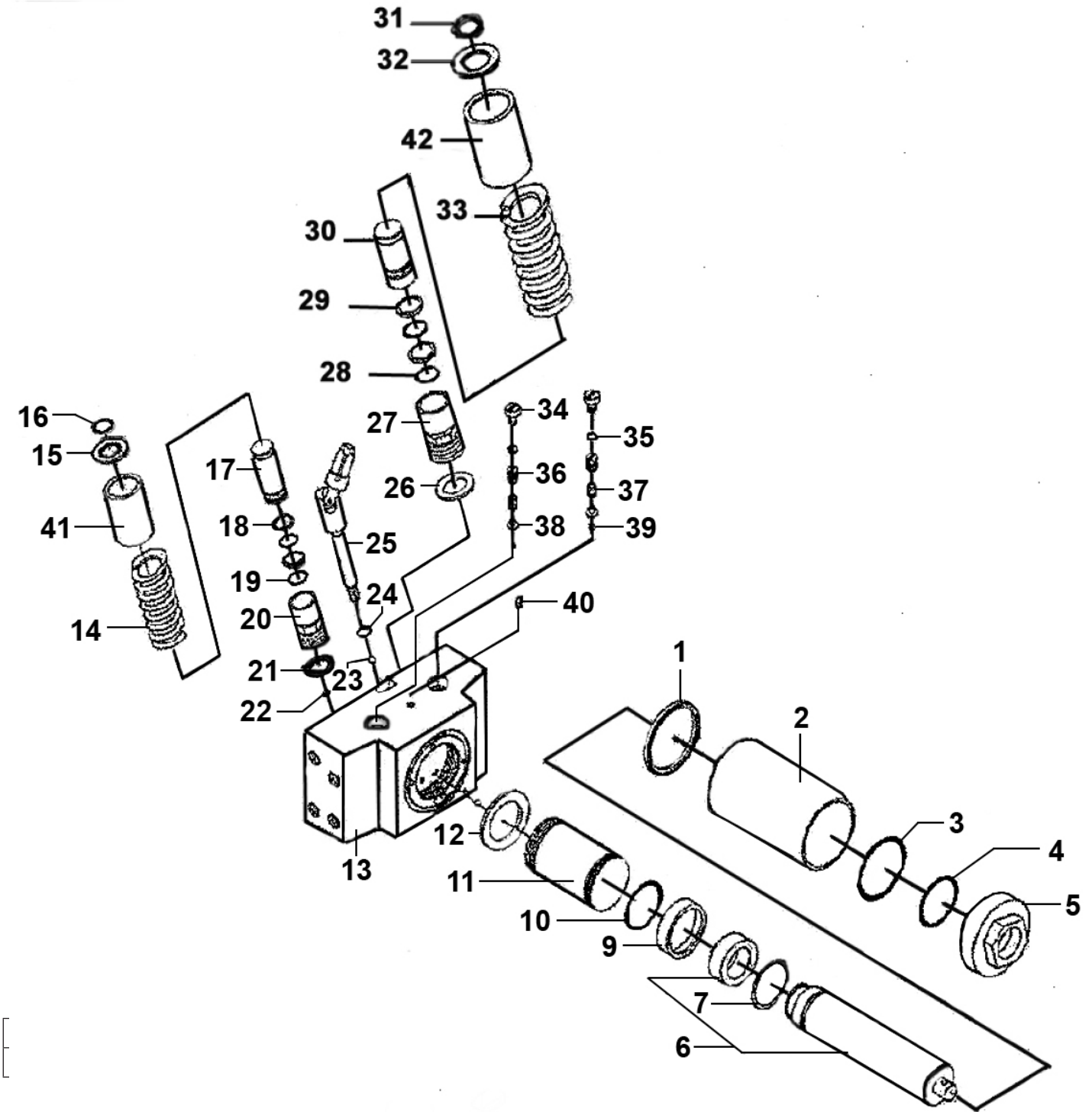
NOTE: It is our policy to continually improve products and as such we reserve the right to alter data, specifications and component parts without prior notice. There may be alternative versions of this product, please contact us should you require this information.

IMPORTANT: No liability is accepted for incorrect use of product. Spare parts must be fitted by a competent person

WARRANTY: Guarantee is 12 months from purchase date, proof of which will be required for any claim.



Parts Information:
Trolley Jack 2.5tonne Low Entry Aluminium
Rocket Lift
Model No: RJA2500



NOTE: It is our policy to continually improve products and as such we reserve the right to alter data, specifications and component parts without prior notice. There may be alternative versions of this product, please contact us should you require this information.

IMPORTANT: No liability is accepted for incorrect use of product. Spare parts must be fitted by a competent person

WARRANTY: Guarantee is 12 months from purchase date, proof of which will be required for any claim.

Sealey Group, Kempson Way, Suffolk Business Park, Bury St Edmunds, Suffolk. IP32 7AR



01284 757500



01284 703534



sales@sealey.co.uk



www.sealey.co.uk



Parts Information:
Trolley Jack 2.5tonne Low Entry Aluminium
Rocket Lift
Model No: RJA2500

Item	Part No.	Description
1	RJA2500.P.01	Sealing Cover
2	RJA2500.P.02	Reservoir
3	RJA2500.P.03	Sealing Ring
4	RE91/10.07	O-Ring, (Ex: 36.81 In: 29.75 Cs: 3.53)
5	RJA2500.P.05	Top Nut
6	RJA2500.P.06	Piston Rod
7	RJA2500.P.07	Retaining Ring
9	RJA2500.P.09	Nylon Washer
10	RJA2500.P.10	O-Ring, (Ex: 40.15 In: 31.29 Cs: 4.88)
11	RJA2500.P.11	Cylinder
12	RJA2500.P.12	Sealing Ring
13	RJA2500.P.13	Hydraulic Base
14	RJA2500.P.14	High Pressure Spring Dia 28mm
15	RJA2500.P.15	High Pressure Spring Base
16	RJA2500.P.16	Retaining Ring
17	RJA2500.P.17	High Pressure Piston
18	SA695.13	O-Ring, (Ex: 16.01 In: 10.77 Cs: 2.62)
19	RJA2500.P.19	Translucent Plastic Seal
20	RJA2500.P.20	High Pressure Piston Housing
21	RJA2500.P.21	Copper Ring
22	SB-5.0	Steel Ball 5.0mm

Item	Part No.	Description
23	SB-6.0	Steel Ball 6.0mm
24	SA355.V2-04	O-Ring, (Ex: 10.31 In: 6.75 Cs: 1.78)
25	RJA2500.P.25	U Joint
26	RJA2500.P.26	Copper Ring
27	RJA2500.P.27	Low Pressure Piston Housing
28	RJA2500.P.28	Copper Ring
29	SA29.V3-41	O-Ring, (Ex: 22.36 In: 17.12 Cs: 2.62)
30	RJA2500.P.30	Low Pressure Piston
31	RJA2500.P.31	Retaining Ring
32	RJA2500.P.32	Low Pressure Spring Base
33	RJA2500.P.33	Low Pressure Spring Dia 31.8mm.
34	RJA2500.P.34	Relief Valve Cover
35	GSA08.09-4	O-Ring, (Ex: 11.21 In: 7.65 Cs: 1.78)
36	RJA2500.P.36	Pressure Set Screw
37	RJA2500.P.37	Spring Dia 7.7mm
38	RJA2500.P.38	Spring
39	SB-3.9	Steel Ball 3.9mm
40	RJA2500.P.40	Screw M6x8
41	RJA2500.P.41	Dust Cover
42	RJA2500.P.42	Dust Cover

NOTE: It is our policy to continually improve products and as such we reserve the right to alter data, specifications and component parts without prior notice. There may be alternative versions of this product, please contact us should you require this information.

IMPORTANT: No liability is accepted for incorrect use of product. Spare parts must be fitted by a competent person

WARRANTY: Guarantee is 12 months from purchase date, proof of which will be required for any claim.

Sealey Group, Kempson Way, Suffolk Business Park, Bury St Edmunds, Suffolk. IP32 7AR



01284 757500



01284 703534



sales@sealey.co.uk



www.sealey.co.uk