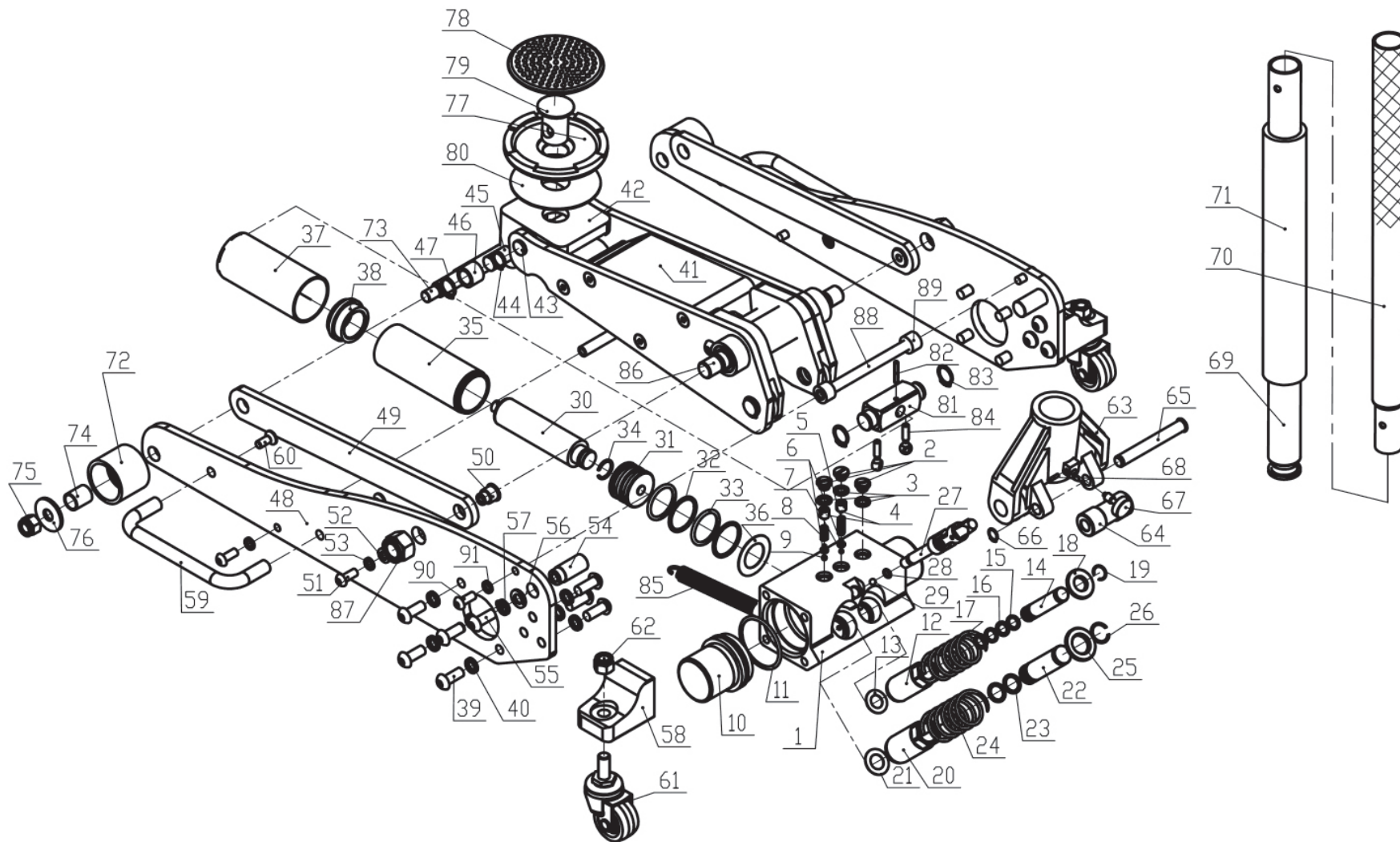




Parts Information:  
Trolley Jack 1.8tonne Low Entry Aluminium Rocket Lift  
Model No: RJA1800.V2



**NOTE:** It is our policy to continually improve products and as such we reserve the right to alter data, specifications and component parts without prior notice.

**IMPORTANT:** No liability is accepted for incorrect use of product.

**WARRANTY:** Guarantee is 12 months from purchase date, proof of which will be required for any claim.

Sealey Group, Kempson Way, Suffolk Business Park, Bury St Edmunds, Suffolk. IP32 7AR



01284 757500



01284 703534



sales@sealey.co.uk



www.sealey.co.uk



Parts Information:  
**Trolley Jack 1.8tonne Low Entry Aluminium  
 Rocket Lift**  
**Model No: RJA1800.V2**

Item	Part No.	Description
1	RJA1800.V2-01	HYDRAULIC UNIT BASE
2	RJA2500.V2-02	SAFETY VALVE SCREW
3	RJA2500.V2-03	SAFETY VALVE O-RING
4	RJA2500.V2-04	SCREW
5	RJA2500.V2-05	SPRING
6	RJA2500.V2-06	STEEL BALL BASE
7	RJA2500.V2-07	STEEL BALL
8	RJA2500.V2-08	SPRING
9	RJA2500.V2-09	STEEL BALL
10	RJA1800.V2-10	SIDE CAP
11	RJA1800.V2-11	O-RING
12	RJA2500.V2-12	PUMP (A)
13	RJA2500.V2-13	PUMP COPPER WASHER (A)
14	RJA2500.V2-14	PUMP CORE (A)
15	RJA2500.V2-15	WASHER
16	RJA2500.V2-16	O-RING
17	RJA2500.V2-17	SPRING (A)
18	RJA2500.V2-18	PUMP CAP (A)
19	RJA2500.V2-19	C-RING
20	RJA1800.V2-20	PUMP (B)
21	RJA2500.V2-21	PUMP COPPER WASHER (B)
22	RJA1800.V2-22	PUMP CORE (B)
23	RJA1800.V2-23	O-RING
24	RJA1800.V2-24	SPRING (B)
25	RJA1800.V2-25	PUMP CAP (B)
26	RJA1800.V2-26	C-RING
27	RJA1800.V2-27	RELEASE VALVE ASS'Y
28	RJA2500.V2-28	O-RING
29	RJA2500.V2-29	STEEL BALL
30	RJA1800.V2-30	PISTON ROD
31	RJA1800.V2-31	PISTON HEAD
32	RJA1800.V2-32	WASHER
33	RJA1800.V2-33	U-CUP SEAL
34	RJA1800.V2-34	C-RING
35	RJA1800.V2-35	CYLINDER
36	RJA1800.V2-36	CYLINDER COPPER WASHER
37	RJA1800.V2-37	RESERVOIR
38	RJA1800.V2-38	SEAL BUMPER
39	RJA1800.V2-39	SOCKET BUTTON SCREW
40	RJA1800.V2-40	WASHER
41	RJA1800.V2-41	LIFT ARM ASSEMBLY
42	RJA1800.V2-42	SADDLE BASE
43	RJA1800.V2-43	SADDLE PIN (SHORT)
44	RJA1800.V2-44	RETAINING RING
45	RJA1800.V2-45	SADDLE PIN (LONG)
46	RJA1800.V2-46	SADDLE PIN BUSH
47	RJA1800.V2-47	RETAINING RING

Item	Part No.	Description
48	RJA1800.V2-48	MAIN FRAME
49	RJA1800.V2-49	LINK ROD (LONG)
50	RJA1800.V2-50	CONNECTING ROD PIN
51	RJA2500.V2-53	SOCKET BUTTON SCREW
52	RJA2500.V2-54	WASHER
53	RJA2500.V2-55	WASHER
54	RJA1800.V2-54	PIN
55	RJA1800.V2-55	SOCKET BUTTON SCREW
56	RJA1800.V2-56	WASHER
57	RJA1800.V2-57	WASHER
58	RJA1800.V2-58	REAR WHEEL FRAME
59	RJA1800.V2-59	CARRY HANDLE
60	RJA2500.V2-59	HEX SCREW
61	RJA1800.V2-61	REAR CASTOR WHEEL
62	RJA2500.V2-61	LOCK NUT
63	RJA1800.V2-63	HANDLE SOCKET
64	RJA1800.V2-64	IDLER WHEEL
65	RJA1800.V2-65	HANDLE SOCKET PIN
66	RJA2500.V2-65	RETAINING RING
67	RJA2500.V2-66	HANDLE SOCKET BOLT
68	RJA1800.V2-68	PIN
69	RJA2500.V2-67	LOWER HANDLE
70	RJA2500.V2-68	UPPER HANDLE
71	RJA2500.V2-69	HANDLE SLEEVE
72	RJA1800.V2-72	FRONT WHEEL
73	RJA1800.V2-73	FRONT AXLE
74	RJA1800.V2-74	FRONT WHEEL BUMPER
75	RJA2500.V2-73	WASHER
76	RJA2500.V2-74	LOCK NUT
77	RJA1800.V2-77	SADDLE
78	RJA2500.V2-76	SADDLE PAD
79	RJA1800.V2-79	SADDLE PIN
80	RJA1800.V2-80	SADDLE NYLON WASHER
81	RJA1800.V2-81	LINK ROD
82	RJA1800.V2-82	PIN
83	RJA1800.V2-83	RETAINING RING
84	RJA2500.V2-82	BOLT WITH HOLE
85	RJA1800.V2-85	RETURN SPRING
86	RJA1800.V2-86	CONNECTING ROD
87	RJA2500.V2-85	LOCK NUT
88	RJA1800.V2-88	LIMIT ROD
89	RJA2500.V2-90	RUBBER BUSH
90	RJA2500.V2-91	SOCKET BUTTON SCREW
91	RJA2500.V2-92	WASHER
--	RJA1800.V2-P	COMPLETE HYDRAULIC ASS'Y FOR RJA1800
--	RJA1800.V2-RK	REPAIR KIT FOR HYDRAULIC UNIT

**NOTE:** It is our policy to continually improve products and as such we reserve the right to alter data, specifications and component parts without prior notice.

**IMPORTANT:** No liability is accepted for incorrect use of product.

**WARRANTY:** Guarantee is 12 months from purchase date, proof of which will be required for any claim.

**Sealey Group**, Kempson Way, Suffolk Business Park, Bury St Edmunds, Suffolk. IP32 7AR



01284 757500



01284 703534



sales@sealey.co.uk



www.sealey.co.uk