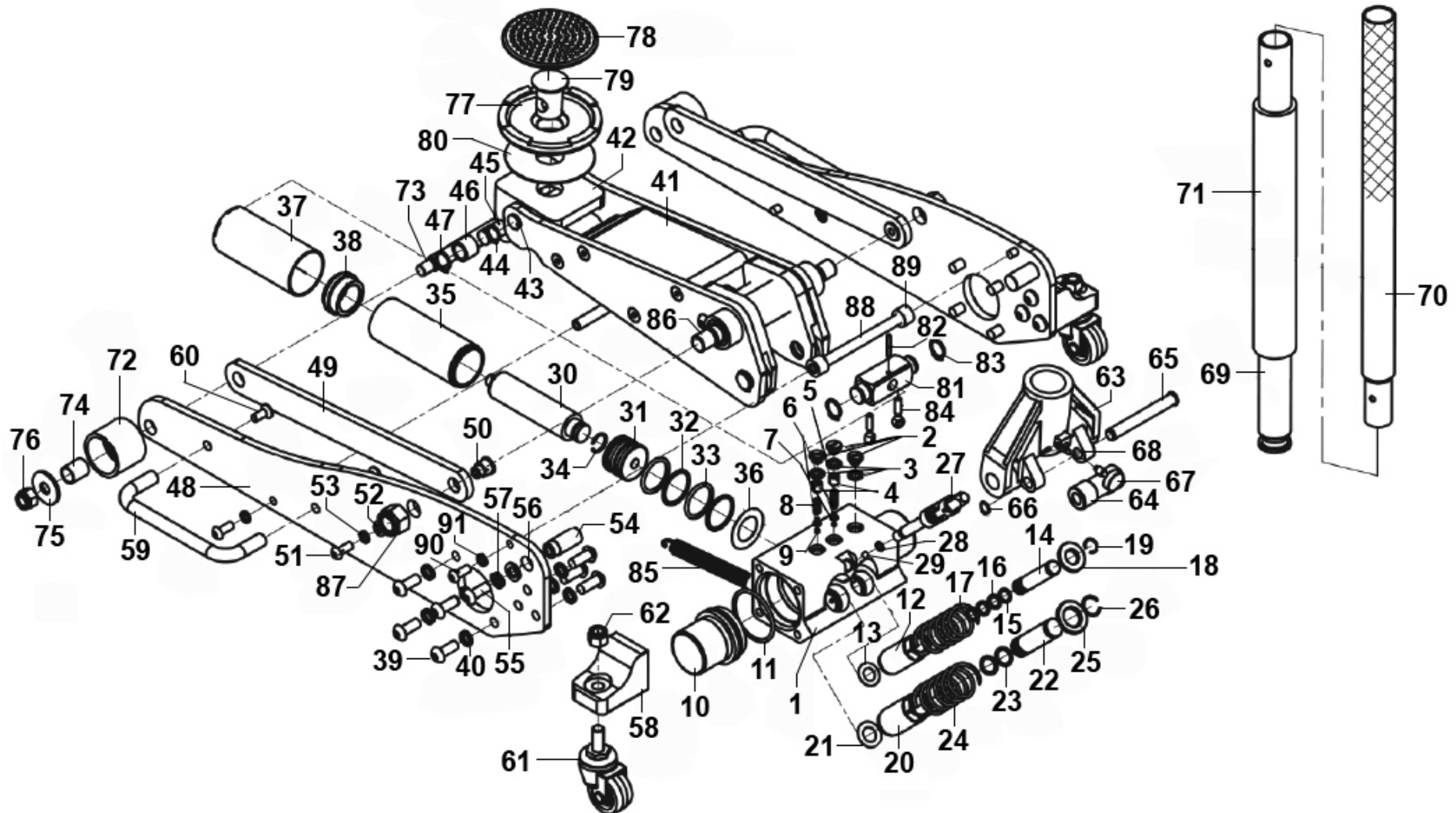




Parts Information:  
Trolley Jack 1.8tonne Low Entry Aluminium Rocket Lift  
Model No: RJA1800.V2



**NOTE:** It is our policy to continually improve products and as such we reserve the right to alter data, specifications and component parts without prior notice.

There may be alternative versions of this product, please contact us should you require this information.

**IMPORTANT:** No liability is accepted for incorrect use of product. Spare parts must be fitted by a competent person

**WARRANTY:** Guarantee is 12 months from purchase date, proof of which will be required for any claim.

Sealey Group, Kempson Way, Suffolk Business Park, Bury St Edmunds, Suffolk. IP32 7AR

01284 757500 | 01284 703534 | sales@sealey.co.uk | www.sealey.co.uk



Parts Information:  
**Trolley Jack 1.8tonne Low Entry Aluminium  
 Rocket Lift**  
**Model No: RJA1800.V2**

Item	Part No.	Description
1	RJA1800.V2-01	Hydraulic Unit Base
2	RJA2500.V2-02	Safety Valve Screw
3	RJA2500.V2-03	Safety Valve O-Ring
4	RJA2500.V2-04	Screw
5	RJA2500.V2-05	Spring
6	RJA2500.V2-06	Steel Ball Base
7	RJA2500.V2-07	Steel Ball
8	RJA2500.V2-08	Spring
9	RJA2500.V2-09	Steel Ball
10	RJA1800.V2-10	Side Cap
11	AK45X.V2-29	O-Ring, (Ex: 41.58 In: 34.52 Cs: 3.53)
12	RJA2500.V2-12	Pump (A)
13	RJA2500.V2-13	Pump Copper Washer (A)
14	RJA2500.V2-14	Pump Core (A)
15	RJA2500.V2-15	Washer
16	SA695.13	O-Ring, (Ex: 16.01 In: 10.77 Cs: 2.62)
17	RJA2500.V2-17	Spring Dia 33.1mm
18	RJA2500.V2-18	Pump Cap (A)
19	RJA2500.V2-19	C-Ring
20	RJA1800.V2-20	Pump (B)
21	RJA2500.V2-21	Pump Copper Washer (B)
22	RJA1800.V2-22	Pump core (B)
23	RJA1800.V2-23	O-Ring, (Ex: 15.16 In: 9.92 Cs: 2.62)
24	RJA1800.V2-24	Spring Dia 36.7mm
25	RJA1800.V2-25	Pump Cap (B)
26	RJA1800.V2-26	C-Ring
27	RJA1800.V2-27	Release Valve Ass'y
28	GSA08.09-4	O-Ring, (Ex: 11.21 In: 7.65 Cs: 1.78)
29	RJA2500.V2-29	Steel Ball
30	RJA1800.V2-30	Piston Rod
31	RJA1800.V2-31	Piston Head Ass'y(C/w parts 34&30)
32	RJA1800.V2-32	Washer
33	RJA1800.V2-33	U-Cup Seal
34	RJA1800.V2-34	C-Ring
35	RJA1800.V2-35	Cylinder
36	RJA1800.V2-36	Cylinder Copper Washer
37	RJA1800.V2-37	Reservoir
38	RJA1800.V2-38	Seal Bumper
39	RJA1800.V2-39	Socket Button Screw
40	RJA1800.V2-40	Washer

Item	Part No.	Description
41	RJA1800.V2-41	Lift Arm Assembly
42	RJA1800.V2-42	Saddle Base
43	RJA1800.V2-43	Saddle Pin (Short)
44	RJA1800.V2-44	Retaining Ring
45	RJA1800.V2-45	Saddle Pin (Long)
46	RJA1800.V2-46	Saddle Pin Bush
47	RJA1800.V2-47	Retaining Ring
48	RJA1800.V2-48	Main Frame
49	RJA1800.V2-49	Link Rod (Long)
50	RJA1800.V2-50	Connecting Rod Pin
51	BHSS820.S	Button Head Socket Screw M8 X 20 Zinc
52	RJA2500.V2-54	Washer
53	RJA2500.V2-55	Washer
54	RJA1800.V2-54	Pin
55	RJA1800.V2-55	Socket Button Screw
56	RJA1800.V2-56	Washer
57	RJA1800.V2-57	Washer
58	RJA1800.V2-58	Rear Wheel Frame
59	RJA1800.V2-59	Carry Handle
60	BHSS820.S	Button Head Socket Screw M8 X 20 Zinc
61	RJA1800.V2-61	Wheel, Rear, Swivel Castor, Single Bolt (D:45 W:22 B:8 H:90)
62	NLN12.S	Lock Nut
63	RJA1800.V2-63	Handle Socket
64	RJA1800.V2-64	Idler Wheel
65	RJA1800.V2-65	Handle Socket Pin
66	RJA2500.V2-65	Retaining Ring
67	RJA2500.V2-66	Handle Socket Bolt
68	RJA1800.V2-68	Pin
69	RJA2500.V2-67	Lower Jack Handle (Square) 12mm
70	RJA2500.V2-68	Upper Handle
71	RJA2500.V2-69	Handle Sleeve (Fitted To Part 67)
72	RJA1800.V2-72	Wheel, Front, Fixed (D:50 W:40 B:19)
73	RJA1800.V2-73	Front Axle
74	RJA1800.V2-74	Front wheel Bumper
75	RJA2500.V2-73	Washer
76	RJA2500.V2-74	Lock Nut
77	RJA1800.V2-77	Saddle
78	RJA2500.V2-76	Saddle Pad
79	RJA1800.V2-79	Saddle Pin

**NOTE:** It is our policy to continually improve products and as such we reserve the right to alter data, specifications and component parts without prior notice. There may be alternative versions of this product, please contact us should you require this information.

**IMPORTANT:** No liability is accepted for incorrect use of product. Spare parts must be fitted by a competent person

**WARRANTY:** Guarantee is 12 months from purchase date, proof of which will be required for any claim.

**Sealey Group**, Kempson Way, Suffolk Business Park, Bury St Edmunds, Suffolk. IP32 7AR



01284 757500



01284 703534



sales@sealey.co.uk



www.sealey.co.uk



Parts Information:  
**Trolley Jack 1.8tonne Low Entry Aluminium  
Rocket Lift**  
**Model No: RJA1800.V2**

Item	Part No.	Description
80	RJA1800.V2-80	Saddle Nylon Washer
81	RJA1800.V2-81	Link Rod
82	RJA1800.V2-82	Pin
83	RJA1800.V2-83	Retaining Ring
84	RJA2500.V2-82	Bolt With Hole
85	RJA1800.V2-85	Return Spring
86	RJA1800.V2-86	Connecting Rod

Item	Part No.	Description
87	RJA2500.V2-85	Lock Nut
88	RJA1800.V2-88	Limit Rod
89	RJA2500.V2-90	Rubber Bush
90	RJA2500.V2-91	Socket Button Screw
91	RJA2500.V2-92	Washer
--	RJA1800.V2-P	Hydraulic Unit Assembly (Not Shown)
--	RJA1800.V2-RK	Repair Kit For Hydraulic Unit (Not Shown)

**NOTE:** It is our policy to continually improve products and as such we reserve the right to alter data, specifications and component parts without prior notice. There may be alternative versions of this product, please contact us should you require this information.

**IMPORTANT:** No liability is accepted for incorrect use of product. Spare parts must be fitted by a competent person

**WARRANTY:** Guarantee is 12 months from purchase date, proof of which will be required for any claim.

**Sealey Group**, Kempson Way, Suffolk Business Park, Bury St Edmunds, Suffolk. IP32 7AR



01284 757500



01284 703534



sales@sealey.co.uk



www.sealey.co.uk