

**NOTE:** It is our policy to continually improve products and as such we reserve the right to alter data, specifications and component parts without prior notice. There may be alternative versions of this product, please contact us should you require this information.

**IMPORTANT:** No liability is accepted for incorrect use of product. Spare parts must be fitted by a competent person

**WARRANTY:** Guarantee is 12 months from purchase date, proof of which will be required for any claim.



Parts Information:  
**Trolley Jack 1.8tonne Low Entry Aluminium  
Rocket Lift**  
**Model No: RJA1800**

| Item | Part No.      | Description                         |
|------|---------------|-------------------------------------|
| 1    | RJA1800.01    | Saddle Pad                          |
| 2    | RJAS2500V2.01 | Saddle Shaft                        |
| 3    | RJA1800.03    | Saddle                              |
| 4    | RJA1800.04    | Saddle Base                         |
| 5    | RJA1800.05    | Saddle Base Pin                     |
| 6    | RJA1800.06    | Retaining Ring                      |
| 7    | RJA1800.07    | Front Wheel Axle                    |
| 8    | RJA1800.08    | Side Frame, Left                    |
| 9    | RJA1800.09    | Wheel Bushing                       |
| 10   | RJA2500.07    | Wheel, Front Fixed (D:65 W:50 B:22) |
| 11   | RJA1800.11    | Washer                              |
| 12   | SN12.S        | Steel Nut M12 Zinc                  |
| 13   | RJA2500.08    | Carrying Handle                     |
| 14   | RJA1800.14    | Nut                                 |
| 15   | RJA1800.15    | Washer                              |
| 16   | RJA1800.16    | Bolt                                |
| 17   | RJA1800.17    | Shaft                               |
| 18   | RJA1800.18    | Bolt                                |
| 19   | RJA1800.19    | Connecting Rod                      |
| 20   | RJA1800.20    | Lift Arm Pin                        |
| 21   | RJA1800.21    | Lift Arm Support                    |
| 22   | RJA1800.22    | Inner Side Frame, Left              |
| 23   | RJA1800.23    | Nut                                 |
| 24   | RJA1800.24    | Washer                              |
| 25   | RJA1800.25    | Spring Washer                       |
| 26   | RJA1800.26    | Bolt                                |
| 27   | RJA1800.27    | Nut                                 |
| 28   | RJA1800.28    | Bolt                                |

| Item | Part No.      | Description  |
|------|---------------|--|
| 29   | RJA1800.29    | Bolt   |
| 30   | RJA1800.30    | Spring Washer  |
| 31   | RJA1800.31    | Bolt   |
| 32   | RJA1800.32    | Wheel, Rear Swivel Castor, Single Bolt (D:45 W:22 B:10 H:95) |
| 33   | RJA1800.33    | Rear Castor Base   |
| 34   | RJA1800.34    | Washer   |
| 35   | RJA1800.35    | Pin  |
| 36   | RJA1800.36    | Spring Dia 15.2mm  |
| 37   | RJA1800.37    | Retaining Ring   |
| 38   | RJA1800.38    | Guide Plate  |
| 39   | RJA1800.39    | Hydraulic Unit   |
| 40   | RJA2500.16    | Handle Cover   |
| 41   | RJA2500.V2-68 | Upper Handle   |
| 42   | RJA2500.V2-67 | Lower Jack Handle (Square) 12mm                              |
| 43   | RJA2500.13    | Set Screw  |
| 44   | RJA1800.44    | Retaining Ring   |
| 45   | RJA1800.45    | Socket Roller  |
| 46   | RJA1800.46    | Socket Roller Shaft  |
| 47   | RJA1800.47    | Handle Socket  |
| 48   | RJA1800.48    | Handle Socket Pin  |
| 49   | RJA1800.49    | Tie Rod  |
| 50   | RJA1800.50    | Lift Arm Pin   |
| 51   | RJA1800.51    | Nut  |
| 52   | RJA1800.52    | Set Screw  |
| 53   | RJA1800.53    | Hydraulic Adaptor  |
| 54   | RJA1800.54    | Nut  |
| 55   | RJA1800.55    | Lift Arm   |
| 56   | RJA1800.56    | Pin  |

**NOTE:** It is our policy to continually improve products and as such we reserve the right to alter data, specifications and component parts without prior notice. There may be alternative versions of this product, please contact us should you require this information.

**IMPORTANT:** No liability is accepted for incorrect use of product. Spare parts must be fitted by a competent person

**WARRANTY:** Guarantee is 12 months from purchase date, proof of which will be required for any claim.

**Sealey Group**, Kempson Way, Suffolk Business Park, Bury St Edmunds, Suffolk. IP32 7AR



01284 757500



01284 703534

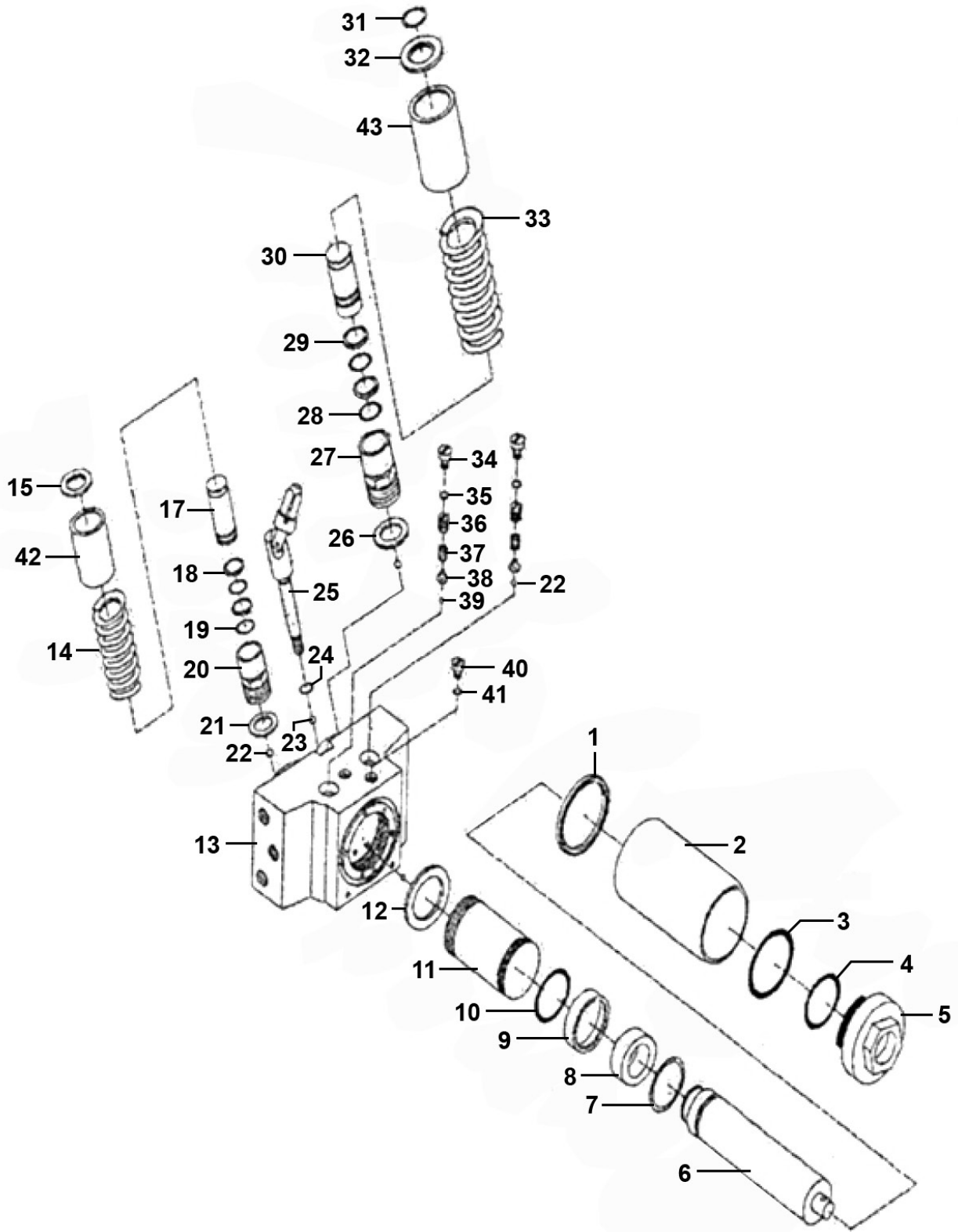


sales@sealey.co.uk



www.sealey.co.uk

Parts Information:  
**Trolley Jack 1.8tonne Low Entry Aluminium  
 Rocket Lift  
 Model No: RJA1800**



**NOTE:** It is our policy to continually improve products and as such we reserve the right to alter data, specifications and component parts without prior notice. There may be alternative versions of this product, please contact us should you require this information.

**IMPORTANT:** No liability is accepted for incorrect use of product. Spare parts must be fitted by a competent person

**WARRANTY:** Guarantee is 12 months from purchase date, proof of which will be required for any claim.



Parts Information:  
**Trolley Jack 1.8tonne Low Entry Aluminium  
Rocket Lift**  
**Model No: RJA1800**

| Item | Part No.    | Description                            |
|------|-------------|--|
| 1    | RJA1800.P01 | Sealing Ring                           |
| 2    | RJA1800.P02 | Reservoir                              |
| 3    | RJA1800.P03 | Sealing Ring                           |
| 4    | RE91/10.07  | O-Ring, (Ex: 36.81 In: 29.75 Cs: 3.53) |
| 5    | RJA1800.P05 | Top Nut                                |
| 6    | RJA1800.P06 | Piston Rod                             |
| 7    | RJA1800.P07 | Retaining Ring                         |
| 8    | RJA1800.P08 | Seal                                   |
| 9    | RJA1800.P09 | Washer                                 |
| 10   | RJA1800.P10 | O-Ring, (Ex: 34.65 In: 24.61 Cs: 5.02) |
| 11   | RJA1800.P11 | Cylinder                               |
| 12   | RJA1800.P12 | Sealing Ring                           |
| 13   | RJA1800.P13 | Base Plate                             |
| 14   | RJA1800.P14 | Spring Dia 32.8mm                      |
| 15   | RJA1800.P15 | Spring Base                            |
| 17   | RJA1800.P17 | High Pressure Piston                   |
| 18   | RJA1800.P18 | Retaining Ring                         |
| 19   | RJA1800.P19 | O-Ring, (Ex: 15.32 In: 10.22 Cs: 2.56) |
| 20   | RJA1800.P20 | Piston Housing                         |
| 21   | RJA1800.P21 | Copper Ring                            |
| 22   | SB-5.0      | Steel Ball 5.0mm                       |

| Item | Part No.    | Description                            |
|------|-------------|--|
| 23   | SB-6.0      | Steel Ball 6.0mm                       |
| 24   | GSA08.09-4  | O-Ring, (Ex: 11.21 In: 7.65 Cs: 1.78)  |
| 25   | RJA1800.P25 | U-Joint                                |
| 26   | RJA1800.P26 | Copper Ring                            |
| 27   | RJA1800.P27 | Piston Housing                         |
| 28   | SA29.V3-41  | O-Ring, (Ex: 22.36 In: 17.12 Cs: 2.62) |
| 29   | RJA1800.P29 | Retaining Ring                         |
| 30   | RJA1800.P30 | Low Pressure Pump Piston               |
| 31   | RJA1800.P31 | Retaining Ring                         |
| 32   | RJA1800.P32 | Spring Base                            |
| 33   | RJA1800.P33 | Spring Dia 36.8mm                      |
| 34   | RJA1800.P34 | Release Valve Screw                    |
| 35   | RJA1800.P35 | Square Seal 15x9.5x2                   |
| 36   | RJA1800.P36 | Bushing                                |
| 37   | RJA1800.P37 | Spring Dia 7.9mm                       |
| 38   | RJA1800.P38 | Spring Base                            |
| 39   | SB-4.0      | Steel Ball 4.0mm                       |
| 40   | RJA1800.P40 | Plug Screw                             |
| 41   | RJA1800.P41 | Square Seal 10x6.2x1.5                 |
| 42   | RJA1800.P42 | Dust Cover                             |
| 43   | RJA1800.P43 | Dust Cover                             |

**NOTE:** It is our policy to continually improve products and as such we reserve the right to alter data, specifications and component parts without prior notice. There may be alternative versions of this product, please contact us should you require this information.

**IMPORTANT:** No liability is accepted for incorrect use of product. Spare parts must be fitted by a competent person

**WARRANTY:** Guarantee is 12 months from purchase date, proof of which will be required for any claim.

**Sealey Group**, Kempson Way, Suffolk Business Park, Bury St Edmunds, Suffolk. IP32 7AR



01284 757500



01284 703534



sales@sealey.co.uk



www.sealey.co.uk