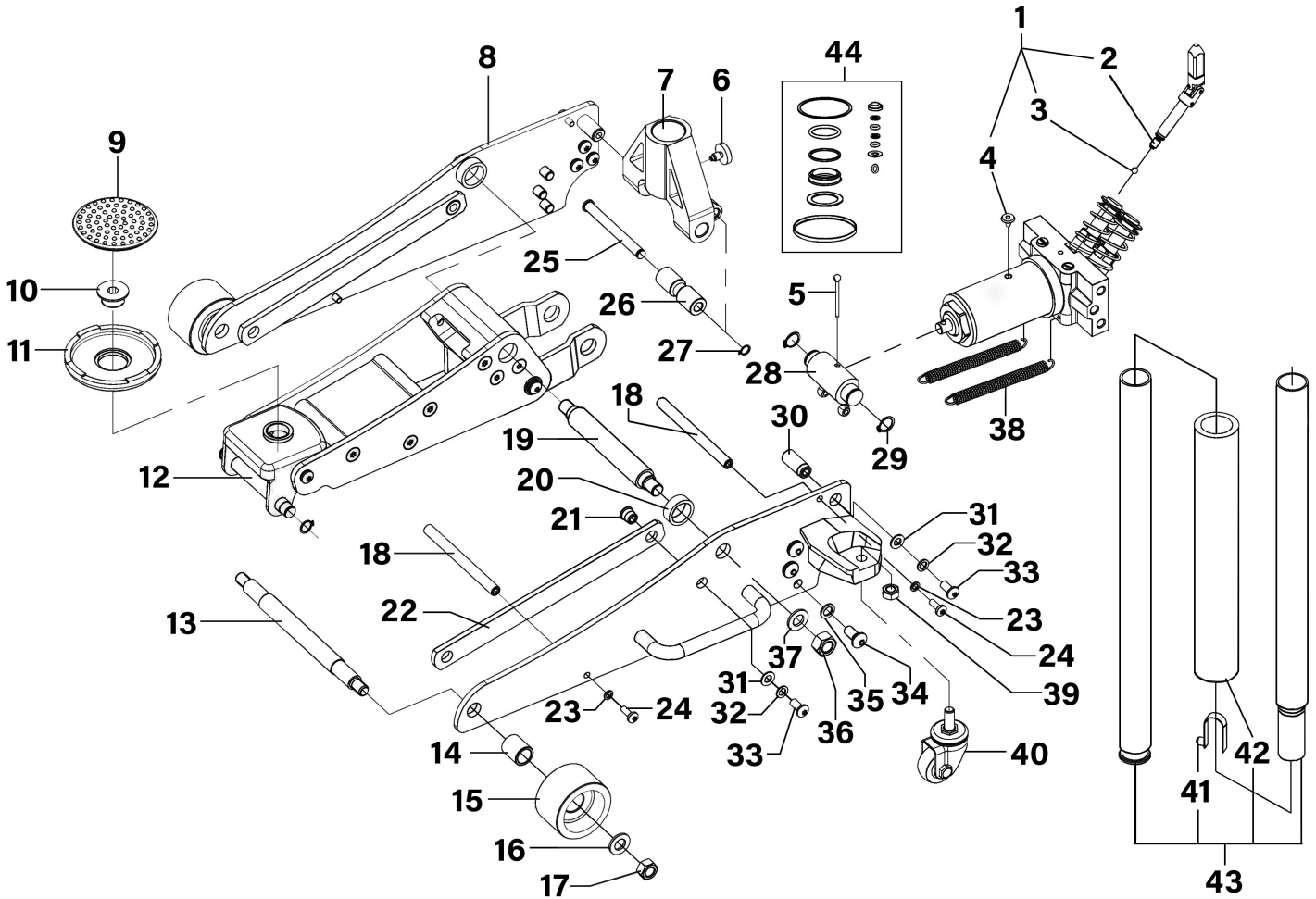




Parts Information:
**Trolley Jack 1.5 Tonne Low Profile
 Aluminium Rocket Lift
 Model No: RJA1550.V3**



Item	Part No.	Description	Qty
1	RJA1550-V3-01	Hydraulic Unit Assembly	1
2	RJA1550-V3-02	Release Valve Assembly	1
3	SB-6.0	Steel Ball 6.0mm	1
4	RJA1550-V3-04	Oil Filler Plug	1
5	RJA1550-V3-05	Spring Pin M4 x 45mm	1
6	RJA1550-V3-06	Handle Socket Screw M8 x 12mm	1
7	RJA1550-V3-07	Handle Socket	1
8	RJA1550-V3-08	Side Frame	2
9	JP11	Safety Rubber Jack Pad - Type B	1
10	RJA1550-V3-10	Saddle Pin	1
11	RJA1550-V3-11	Saddle	1
12	RJA1550-V3-12	Lifting Arm Assembly	1
13	RJA1550-V3-13	Front Wheel Axle	1
14	RJA1550-V3-14	Front Wheel Bush	2
15	RJA1550-V3-15	Front Wheel	2
16	FWM12.S	Flat Washer M12 Zinc	2

Item	Part No.	Description	Qty
17	SN12.S	Steel Nut M12 Zinc	2
18	RJA1550-V3-18	Limit Rod	2
19	RJA1550-V3-19	Support Shaft	1
20	RJA1550-V3-20	Bush for Support Shaft	2
21	RJA1550-V3-21	Radius Link Pin	2
22	RJA1550-V3-22	Radius Link	2
23	SWM6.S	Spring Washer M6 Zinc	4
24	RJA1550-V3-24	Button Head Socket Screw M6 x 16	4
25	RJA1550-V3-25	Handle Socket Pin (for Roller)	1
26	RJA1550-V3-26	Handle Socket Roller	1
27	RJA1550-V3-27	External Circlip Ø8mm	1
28	RJA1550-V3-28	Connecting Rod	1
29	RJA1550-V3-29	External Circlip Ø18mm	2
30	RJA1550-V3-30	Handle Socket Pin	2
31	FWM8.S	Flat Washer M8 Zinc	4
32	SWM8.S	Spring Washer M8 Zinc	4

NOTE: It is our policy to continually improve products and as such we reserve the right to alter data, specifications and component parts without prior notice. There may be alternative versions of this product, please contact us should you require this information.

IMPORTANT: No liability is accepted for incorrect use of product. Spare parts must be fitted by a competent person

WARRANTY: Guarantee is 12 months from purchase date, proof of which will be required for any claim.

Sealey Group, Kempson Way, Suffolk Business Park, Bury St Edmunds, Suffolk. IP32 7AR



01284 757500



sales@sealey.co.uk



www.sealey.co.uk



Parts Information:
**Trolley Jack 1.5 Tonne Low Profile
Aluminium Rocket Lift
Model No: RJA1550.V3**

Item	Part No.	Description	Qty
33	BHSS816.S	Button Head Socket Screw M8 X 16 Zinc	4
34	BHSS1020.S	Button Head Socket Screw M10 X 20 Zinc	6
35	SWM10.S	Spring Washer M10 Zinc	6
36	SN14.S	Steel Nut M14 Zinc	2
37	FWM14.S	Flat Washer M14 Zinc	2
38	RJA1550-V3-38	Return Spring	2

Item	Part No.	Description	Qty
39	SN10.S	Steel Nut M10 Zinc	2
40	RJA1550-V3-40	Rear Castor Assembly	2
41	RJA1550-V3-41	Handle Lock Button	1
42	RJA1550-V3-42	Handle Protection Foam	1
43	RJA1550-V3-43	Handle Assembly	1
44	RJA1550-V3-RK	Repair Kit	1

NOTE: It is our policy to continually improve products and as such we reserve the right to alter data, specifications and component parts without prior notice. There may be alternative versions of this product, please contact us should you require this information.

IMPORTANT: No liability is accepted for incorrect use of product. Spare parts must be fitted by a competent person

WARRANTY: Guarantee is 12 months from purchase date, proof of which will be required for any claim.

Sealey Group, Kempson Way, Suffolk Business Park, Bury St Edmunds, Suffolk. IP32 7AR



01284 757500



sales@sealey.co.uk



www.sealey.co.uk