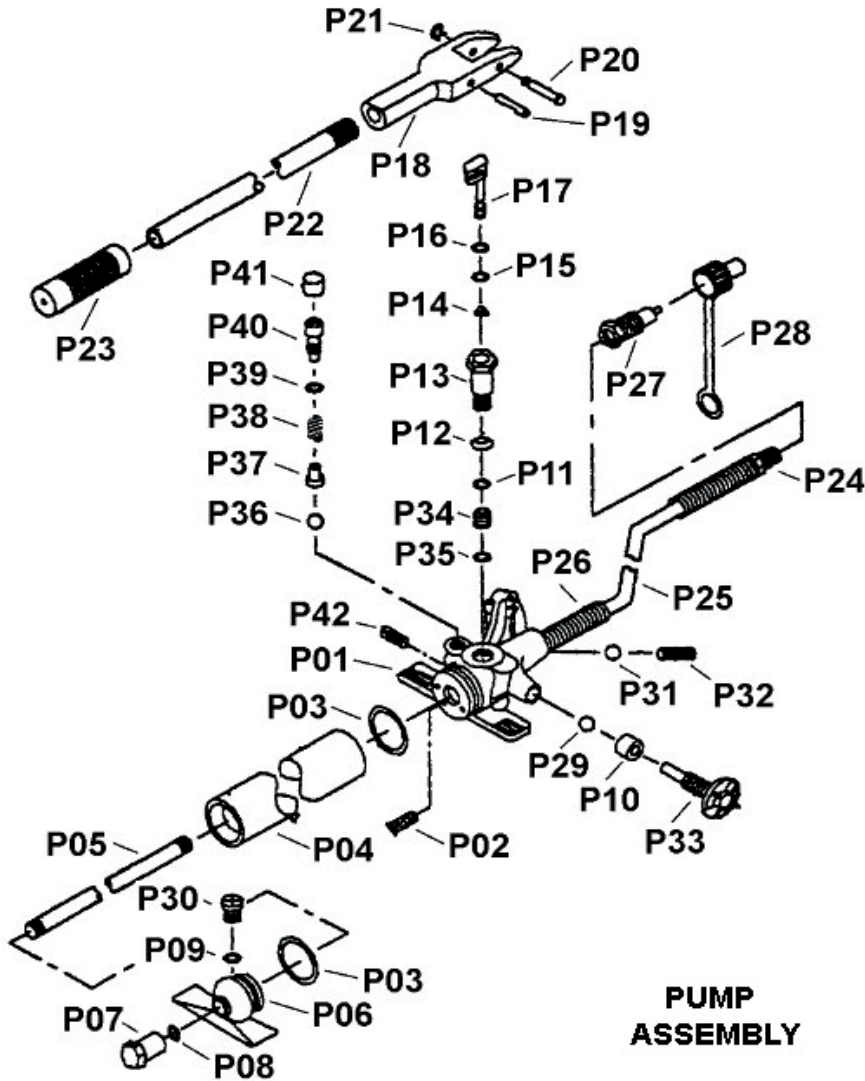




Parts Information:
Hydraulic Body Repair Kit 4tonne
SuperSnap® Type
Model No: RE83/4.V2



Item	Part No.	Description
P01	604/PJ01	PUMP HOUSING
P02	604/PJ02	FILTER
P03	604/PJ03	SEAL
P04	604/PJ04	PUMP RESERVOIR
P05	604/PJ05	SCREW
P06	604/PJ06	PUMP FOOT
P07	604/PJ07	BOLT
P08	604/PJ08	O-RING
P09	604/PJ09	O-RING SEAL
P10	604/PJ10	SPACER
P11	604/PJ11	SEAL
P12	604/PJ12	DISHED WASHER M20
P13	604/PJ13	CYLINDER
P14	604/PJ14	FILTER RING
P15	604/PJ15	SEAL
P16	604/PJ16	WASHER
P17	604/PJ17	PLUNGER
P18	604/PJ18	PUMP PIVOT BRM ARM
P19	604/PJ19	PIVOT PIN
P20	604/PJ20	PIVOT PIN
P21	604/PJ21	CIRCLIP
P22	604/PJ22	PUMP HANDLE ASSY
P23	604/PJ23	GRIP, RUBBER SLEEVE
P24	604/PJ24	OIL FITTING
P25	604/PJ25	HOSE
P26	604/PJ26	SPRING
P27	604/PJ27	COUPLING
P28	604/PJ28	DUST CAP
P29	604/PJ29	BALL VALVE
P30	604/PJ30	SCREW
P31	SB-5.6	STEEL BALL 5.6mm
P32	604/PJ32	SPRING
P33	604/PJ33	STEM, RELEASE VALVE
P34	604/PJ34	VALVE
P35	604/PJ35	COPPER WASHER M8
P36	604/PJ36	BALL VALVE
P37	604/PJ37	STEM
P38	604/PJ38	SPRING
P39	604/PJ39	O-RING SEAL
P40	604/PJ40	SCREW
P41	604/PJ41	PLASTIC CAP
P42	604/PJ42	SCREW

NOTE: It is our policy to continually improve products and as such we reserve the right to alter data, specifications and component parts without prior notice.

IMPORTANT: No liability is accepted for incorrect use of product.

WARRANTY: Guarantee is 12 months from purchase date, proof of which will be required for any claim.

Sealey Group, Kempson Way, Suffolk Business Park, Bury St Edmunds, Suffolk. IP32 7AR



01284 757500



01284 703534

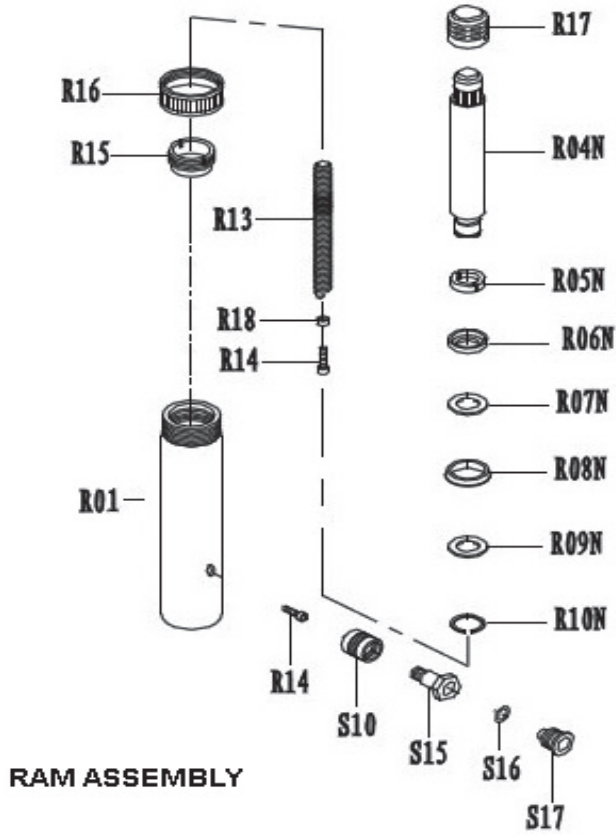


sales@sealey.co.uk

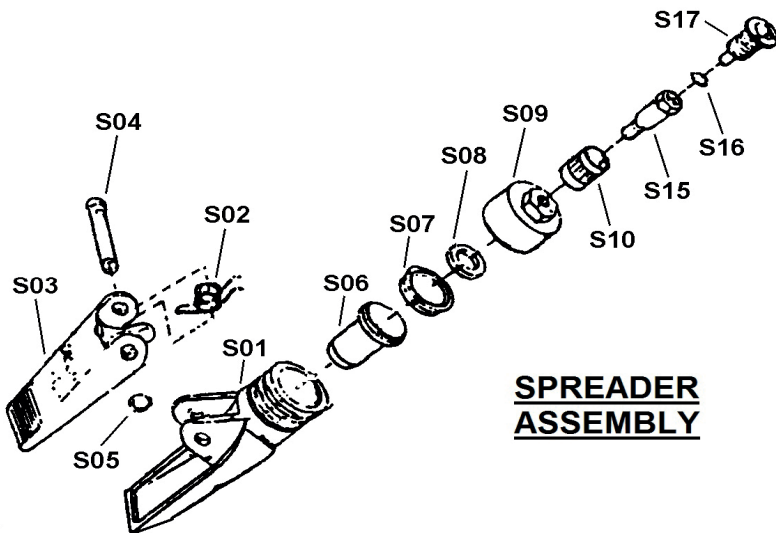


www.sealey.co.uk

Parts Information:
**Hydraulic Body Repair Kit 4tonne
 SuperSnap® Type
 Model No: RE83/4.V2**



Item	Part No.	Description
R01	604-RJ01	CYLINDER
R04N	604/RJ04N	RAM
R05N	604/RJ05N	HALF BUSH
R06N	604/RJ06N	BUSHING
R07N	604/RJ07N	BACK-UP RING
R08N	604/RJ08N	"U" SEAL
R09N	604/RJ09N	SEAL RING
R10N	604/RJ10N	CIRCLIP
R13	604/RJ13	SPRING
R14	SCB514.SB	SOCKET HEAD CAP SCREW M5x14 BLACK
R15	604/RJ15	RING
R16	604/RJ16	PROTECTOR
R17	604/RJ17	BRASS RETAINER NUT
R18	604-RJ18	BUSHING



Item	Part No.	Description
S01	610/SJ01	LOWER DUCK BILL
S02	610/SJ02	SPRING
S03	610/SJ03	UPPER DUCK BILL
S04	610/SJ04	PIVOTING PIN
S05	610/SJ05	CIRCLIP
S06	610/SJ06	PISTON
S07	610/SJ07	CUP SEAL
S08	610/SJ08	RUBBER WASHER M22 x M32
S09	610/SJ09	END CAP
S10	610/SJ10	COUPLING RING
S15	610/SJ15	BOLT M13X25
S16	610/SJ16	BOLT O-RING
S17	610/SJ17	DUST CAP

NOTE: It is our policy to continually improve products and as such we reserve the right to alter data, specifications and component parts without prior notice.

IMPORTANT: No liability is accepted for incorrect use of product.

WARRANTY: Guarantee is 12 months from purchase date, proof of which will be required for any claim.