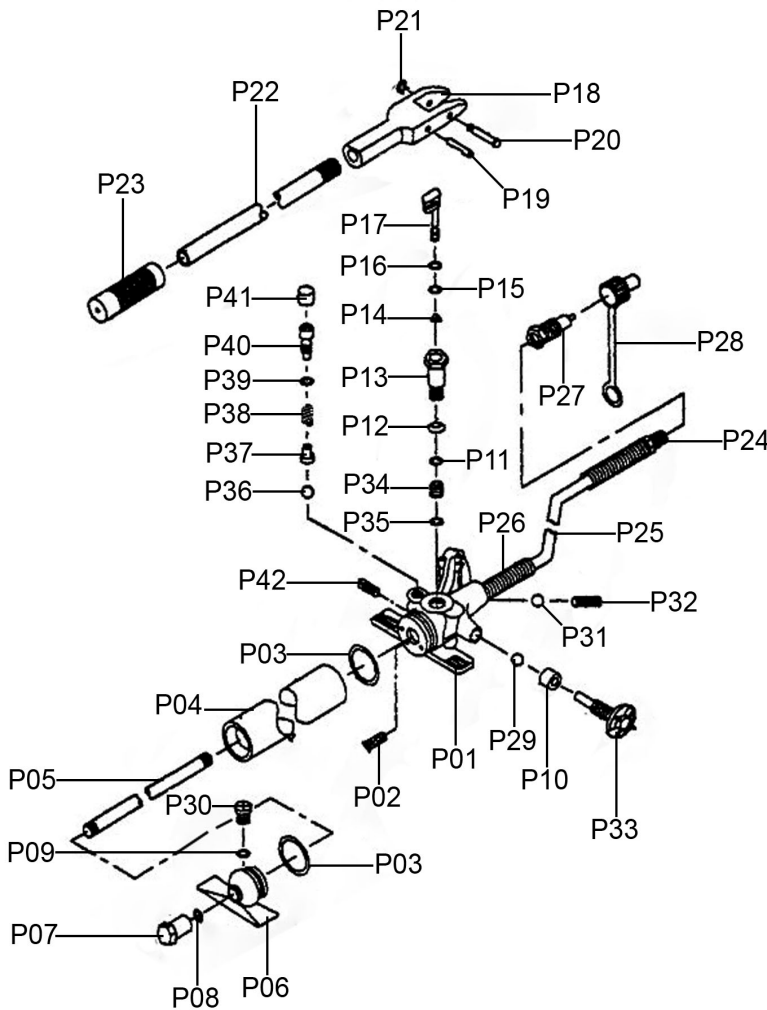


Parts Information: Hydraulic Body Repair Kit 4tonne SuperSnap® Type Model No: RE83/4.V2

PUMP ASSEMBLY



Item	Part No.	Description
P01	604/PJ01	Pump Housing
P02	604/PJ02	Filter
P03	604/PJ03	O-Ring
P04	604/PJ04	Pump Reservoir
P05	604/PJ05	Screw
P06	604/PJ06	Pump Foot
P07	604/PJ07	Bolt
P08	604/PJ08	O-Ring
P09	604/PJ09	Seal, O-Ring
P10	604/PJ10	Spacer
P11	610/PJ11	O-Ring
P12	604/PJ12	Washer M20, Dished
P13	604/PJ13	Cylinder
P14	604/PJ14	Filter Ring
P15	604/PJ15	O-Ring
P16	604/PJ16	Washer
P17	604/PJ17	Plunger
P18	604/PJ18	Handle Fork
P19	604/PJ19	Pivot Pin 1
P20	604/PJ20	Pivot Pin 2
P21	604/PJ21	Circlip
P22	604/PJ22	Pump Handle Assembly
P23	604/PJ23	Grip, Rubber Sleeve
P24	604/PJ24	Oil Fitting
P25	604/PJ25	Hose
P26	604/PJ26	Spring
P27	604/PJ27	Coupling
P28	604/PJ28	Dust Cap
P29	604/PJ29	Ball Valve
P30	604/PJ30	Screw
P31	SB-5.6	Steel Ball
P32	604/PJ32	Spring
P33	604/PJ33	Stem, Release Valve
P34	604/PPJ34	Valve
P35	604/PPJ35	Copper Washer M8
P36	604/PJ36	Ball Valve
P37	604/PJ37	Stem
P38	604/PJ38	Spring
P39	604/PJ39	Seal, O-Ring
P40	604/PJ40	Screw
P41	604/PJ41	Plastic Cap
P42	604/PJ42	Screw

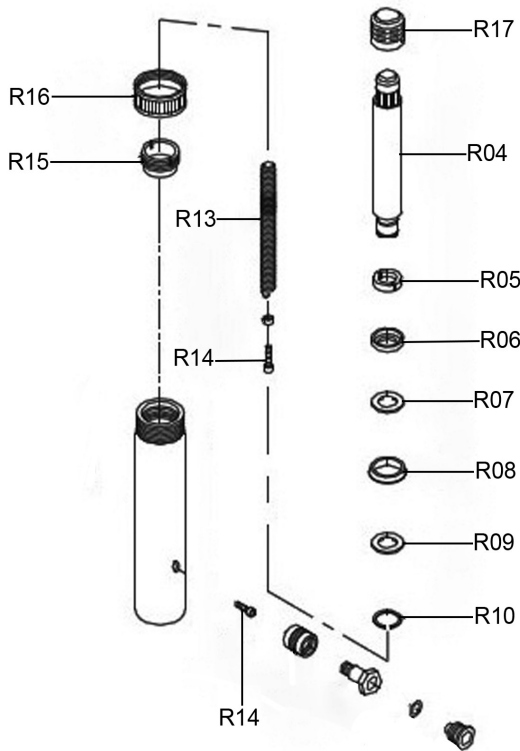
NOTE: It is our policy to continually improve products and as such we reserve the right to alter data, specifications and component parts without prior notice. There may be alternative versions of this product, please contact us should you require this information.

IMPORTANT: No liability is accepted for incorrect use of product. Spare parts must be fitted by a competent person

WARRANTY: Guarantee is 12 months from purchase date, proof of which will be required for any claim.

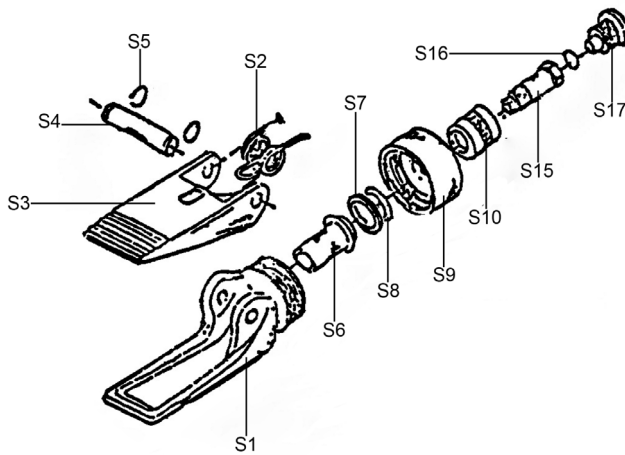
Parts Information:
**Hydraulic Body Repair Kit 4tonne
 SuperSnap® Type
 Model No: RE83/4.V2**

RAM ASSEMBLY



Item	Part No.	Description
R04	604/RJ04N	Ram
R05	604/RJ05N	Half Bush
R06	604/RJ06N	Bushing
R07	604/RJ07N	Back-Up Ring
R08	604/RJ08N	U-Seal
R09	604/RJ09N	Seal Ring
R10	604/RJ10N	Circlip
R13	604/RJ13	Spring
R14	SCB514.SB	Socket Cap Bolt M5 x 14mm Black
R15	604/RJ15	Ring
R16	604/RJ16	Protector
R17	604/RJ17	Brass Retainer Nut

SPREADER ASSEMBLY



Item	Part No.	Description
S1	610/S01	Duck Bill, Lower
S2	610/SJ02	Spring
S3	610/SJ03	Duck Bill, Upper
S4	610/SJ04	Pivot Pin
S5	610/S05	Circlip
S6	610/SJ06	Piston
S7	610/SJ07	Cup Seal

Item	Part No.	Description
S8	610/SJ08	Washer, Rubber
S9	610/S09	End Cap
S10	610/SJ10	Coupling Ring
S15	610/SJ15	Bolt M13 x 25mm
S16	610/SJ16	O-Ring
S17	610/SJ17	Dust Cap
--	610/604/WRK	Repair Kit (Not Shown)

NOTE: It is our policy to continually improve products and as such we reserve the right to alter data, specifications and component parts without prior notice. There may be alternative versions of this product, please contact us should you require this information.

IMPORTANT: No liability is accepted for incorrect use of product. Spare parts must be fitted by a competent person

WARRANTY: Guarantee is 12 months from purchase date, proof of which will be required for any claim.