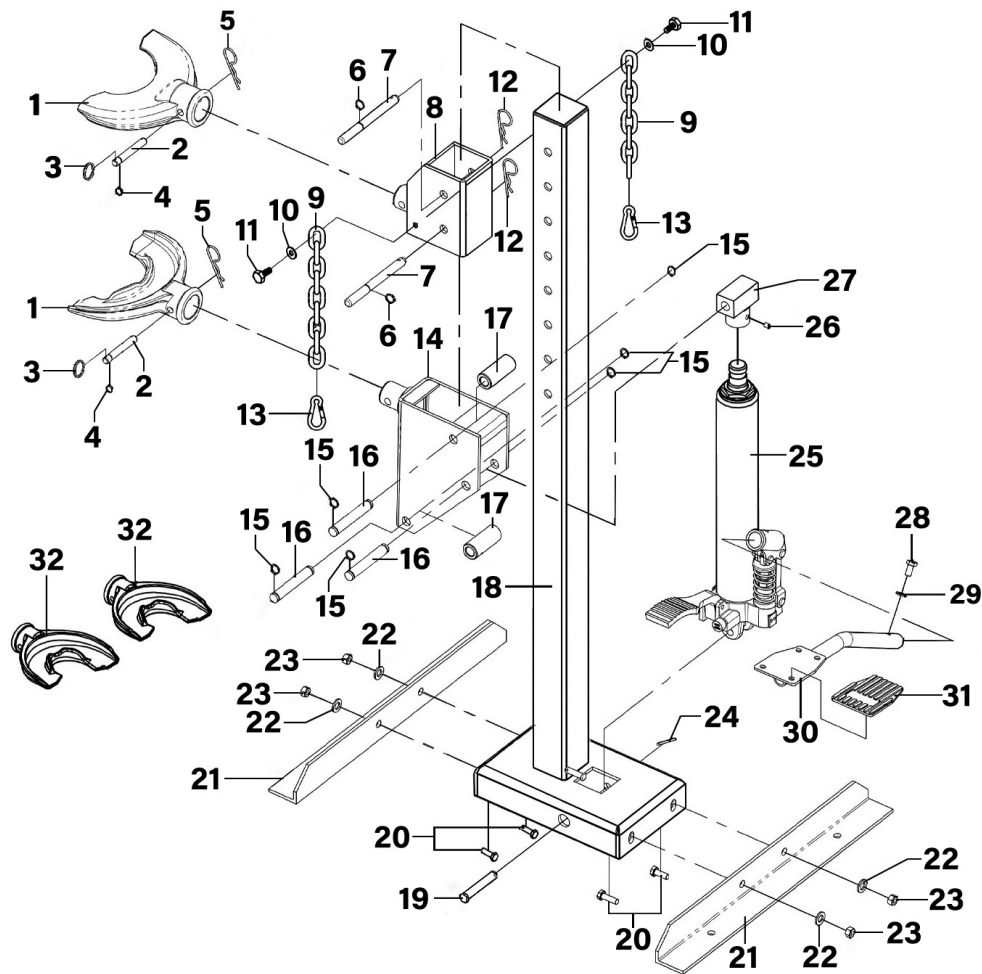


Parts Information: Coil Spring Compressing Station Hydraulic 1500kg Capacity Model No: RE231.V3



Item	Part No.	Description
1	RE231.V3-01	Curved Coil Bracket (Large)
2	RE231.V3-02	Pin
3	RE231.V3-03	Steel Ring
4	ER1700PD.37	External Circlip 9.2mm ID
5	RE231.V3-05	R-Clip 5.4 X 2mm
6	RE231.V3-06	External Circlip 10.9mm ID
7	RE231.V3-07	Pin
8	RE231.V3-08	Upper Strut Support
9	RE231.V3-09	Chain
10	FWM6.S	Flat Washer M6 Zinc
11	SS616.S	Hex Head Set Screw M6 X 16 Zinc
12	RE231.V3-12	R-Clip 4.2 X 2.9mm
13	RE231.V3-13	Shackle
14	RE231.V3-14	Lower Strut Support
15	RE231.V3-15	External Circlip 12.7mm ID
16	RE231.V3-16	Pin
17	RE231.V3-17	Bushing

Item	Part No.	Description
18	RE231.V3-18	Upright(Main Frame)
19	RE231.V3-19	Pin
20	SS1025.S	Hex Head Set Screw M10 X 25 Zinc
21	RE231.V3-21	Bracket
22	FWM10.S	Flat Washer M10 Zinc
23	SN10.S	Steel Nut M10 Zinc
24	RE231.V3-24	Cotter Pin 2.8 x 30
25	RE231.V3-25	Ram
26	GSM810.S	Grub Screw M8x10 (Single)
27	RE231.V3-27	Saddle, Red T-Bar 58 x 32mm (14mm Bore) (Shaft Ø 34mm)
28	SS812.S	Hex Head Set Screw M8 X 12 Zinc
29	FWM8.S	Flat Washer M8 Zinc
30	RE231.V3-30	Lift Foot Pedal
31	RE231.V3-31	Rubber Pad
32	RE231.V3-32	Curved Coil Bracket (Small)

NOTE: It is our policy to continually improve products and as such we reserve the right to alter data, specifications and component parts without prior notice. There may be alternative versions of this product, please contact us should you require this information.

IMPORTANT: No liability is accepted for incorrect use of product. Spare parts must be fitted by a competent person

WARRANTY: Guarantee is 12 months from purchase date, proof of which will be required for any claim.