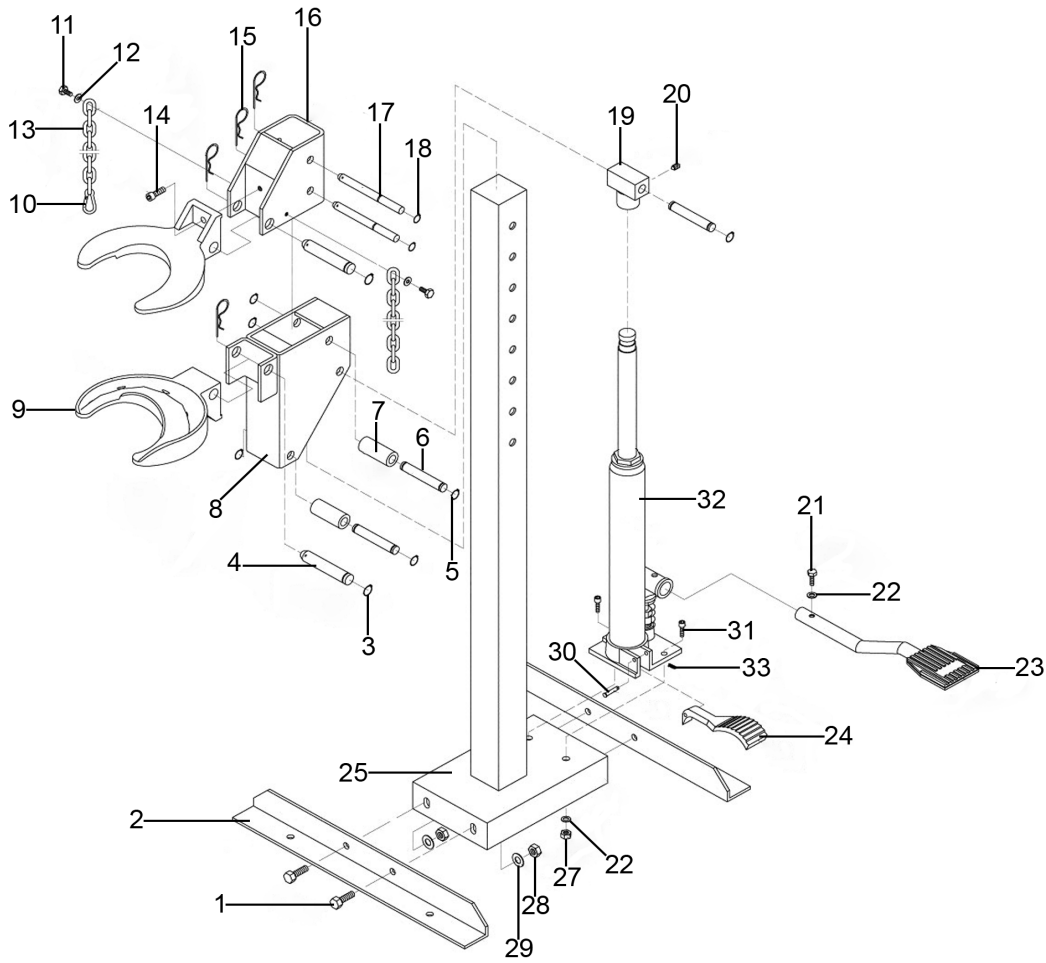


Parts Information: Coil Spring Compressing Station Hydraulic 1500kg Capacity Model No: RE231.V2



Item	Part No.	Description
1	SS1025.S	Hex Head Set Screw M10 x 25mm
2	RE231.02	Bracket
3	3015CXD.01	Circlip
4	RE231.04	Locating Pin
5	RE231.05	Circlip
6	RE231.06	Locating Pin
7	RE231.07	Bushing
8	RE231.08	Strut Support, Lower
9	RE231.09	Curved Coil Bracket
10	RE231.V3-13	Shackle
11	SS616.S	Hex Head Set Screw M6 x 16mm
12	FWM6.S	Flat Washer M6
13	RE231.V3-09	Chain
14	SCB820.SB	Socket Cap Bolt M8 x 20mm Black
15	RE231.15	R-Pin
16	RE231.16	Strut Support, Upper
17	RE231.17	Locating Pin

Item	Part No.	Description
18	RE231.18	Circlip
19	RE231.19	Saddle
20	GSM810.S	Grub Screw M8 x 10mm Black
21	SS812.S	Hex Head Set Screw M8 x 12mm
22	FWM8.S	Flat Washer M8
23	RE231.23	Foot Pedal, Lift
24	RE231.24	Foot Pedal, Release
25	RE231.25	Upright
27	SN8.S	Steel Nut M8
28	SN10.S	Steel Nut M10
29	FWM10.S	Flat Washer M10
30	RE231.30	Pin
31	SS812.S	Hex Head Set Screw M8 x 12mm
32	RE231.32	Ram
33	RE231.33	Pin
--	RE231.09A	Curved Coil Bracket, Small (Not Shown)

NOTE: It is our policy to continually improve products and as such we reserve the right to alter data, specifications and component parts without prior notice. There may be alternative versions of this product, please contact us should you require this information.

IMPORTANT: No liability is accepted for incorrect use of product. Spare parts must be fitted by a competent person

WARRANTY: Guarantee is 12 months from purchase date, proof of which will be required for any claim.