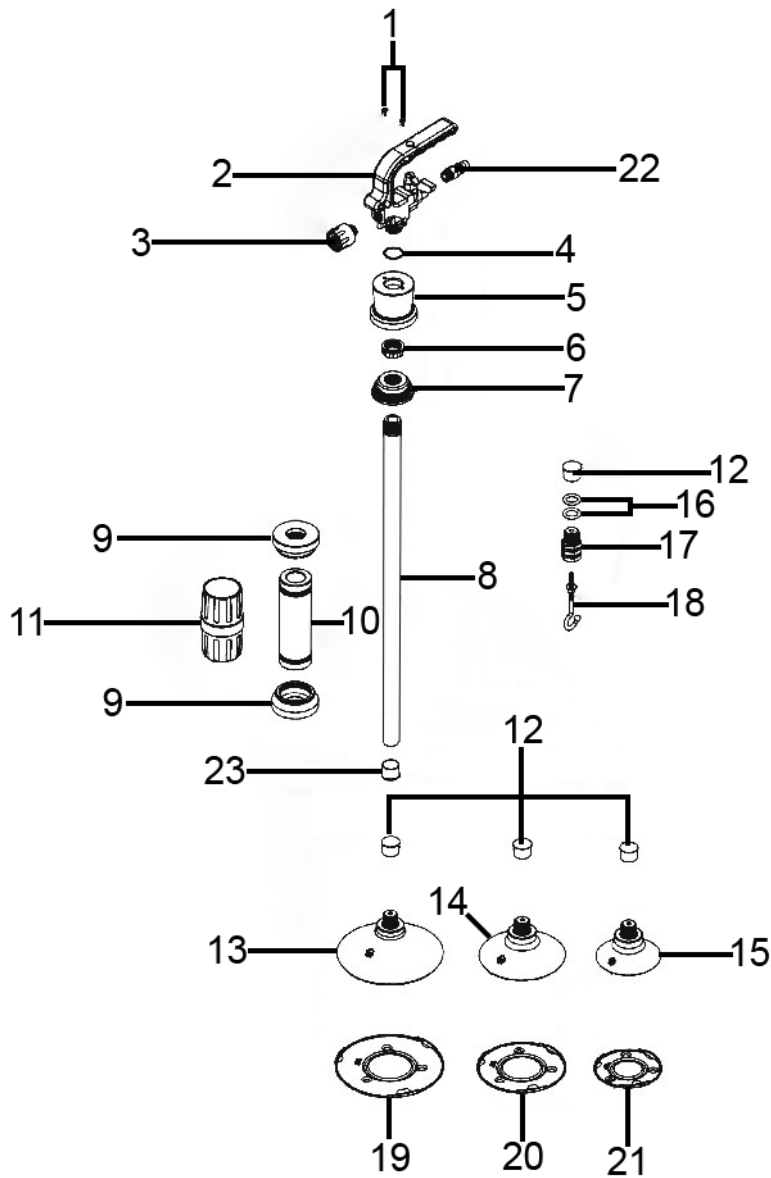




Parts Information:
Air Suction Dent Puller
Model No: RE101.V2



Item	Part No.	Description
1	SCB310.SB	Socket Cap Bolt M3 x 10mm Black
2	RE101.V2-02	Handle (c/w Check Valve)
3	RE101.V2-03	Filter
4	RE101.V2-04	O-Ring
5	RE101.V2-05	Support, Handle
6	RE101.V2-06	Screw Cap
7	RE101.V2-07	Support, Handle Extension
8	RE101.V2-08	Handle Extension
9	RE101.V2-09	Support, Slide Hammer
10	RE101.V2-10	Slide Hammer
11	RE101.V2-11	Cover, Slide Hammer
12	RE101.V2-12	Cover

Item	Part No.	Description
13	RE101.V2-13	Suction Pad 125mm
14	RE101.V2-14	Suction Pad 100mm
15	RE101.V2-15	Suction Pad 75mm
16	RE101.V2-16	O-Ring
17	RE101.V2-17	Support, Hook
18	RE101.V2-18	Hook
19	RE101.V2-19	Cover, Suction Pad 125mm
20	RE101.V2-20	Cover, Suction Pad 100mm
21	RE101.V2-21	Cover, Suction Pad 75mm
22	RE101.V2-22	Valve
23	RE101.V2-23	Cover
--	RE101.V2-BMC	Blow Mould Case (Not Shown)

NOTE: It is our policy to continually improve products and as such we reserve the right to alter data, specifications and component parts without prior notice. There may be alternative versions of this product, please contact us should you require this information.

IMPORTANT: No liability is accepted for incorrect use of product. Spare parts must be fitted by a competent person

WARRANTY: Guarantee is 12 months from purchase date, proof of which will be required for any claim.

Sealey Group, Kempson Way, Suffolk Business Park, Bury St Edmunds, Suffolk. IP32 7AR



01284 757500



01284 703534



sales@sealey.co.uk



www.sealey.co.uk